

Screw plug - PROT-M12 FB - 1555538

Please be informed that the data shown in this PDF Document is generated from our Online Catalog. Please find the complete data in the user's documentation. Our General Terms of Use for Downloads are valid (<http://phoenixcontact.com/download>)



M12 high-grade steel screw plug, for unoccupied M12 sockets of the sensor/actuator cables, boxes and flush-type connectors for the food industry



Key Commercial Data

Packing unit	5 pc
Minimum order quantity	5 pc
GTIN	
GTIN	4046356170543

Technical data

Ambient conditions

Degree of protection	IP65/IP67/IP69K
----------------------	-----------------

General

Note	Use up to max. 48 V AC and 60 V DC
	Not suitable for M12 sockets with K, L, or M coding
Torque	0.4 Nm

Material

Material	Stainless steel V4A
----------	---------------------

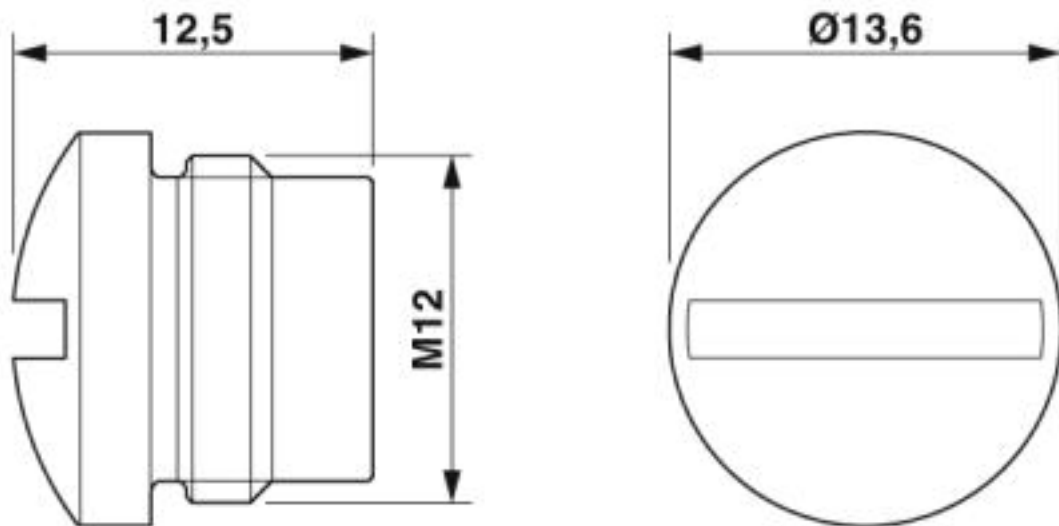
Environmental Product Compliance

China RoHS	Environmentally friendly use period: unlimited = EFUP-e
	No hazardous substances above threshold values

Drawings

Screw plug - PROT-M12 FB - 1555538

Dimensional drawing



Phoenix Contact 2019 © - all rights reserved
<http://www.phoenixcontact.com>

PHOENIX CONTACT GmbH & Co. KG
Flachsmarktstr. 8
32825 Blomberg
Germany
Tel. +49 5235 300
Fax +49 5235 3 41200
<http://www.phoenixcontact.com>