

RJ45 connector - VS-08-RJ45-5-Q/IP20-EC - 1417401


Please be informed that the data shown in this PDF Document is generated from our Online Catalog. Please find the complete data in the user's documentation. Our General Terms of Use for Downloads are valid (<http://phoenixcontact.com/download>)



RJ45 connector, IP20, CAT5e, 8-pos., with QUICKON fast connection technology; with packaging for end customers; for 26 ... 23 AWG 1-wire and 7-wire conductors, for a cable diameter of 4.5 mm ... 8.0 mm, marking TIA 568 B, color: black



Key Commercial Data

| | |
|--------------|---|
| Packing unit | 1 pc |
| GTIN |  4 046356 521970 |
| GTIN | 4046356521970 |

Technical data

Mechanical characteristics

| | |
|------------------------------|---|
| Number of positions | 8 |
| Connection profile | RJ45 |
| Insertion/withdrawal cycles | ≥ 1000 |
| Connection method | IDC fast connection |
| Conductor cross section | 0.13 mm ² ... 0.36 mm ² (solid) 0.14 mm ² ... 0.36 mm ² (flexible) |
| Connection cross section AWG | 26 ... 23 (solid) 26 ... 23 (flexible) |
| External cable diameter | 4.5 mm ... 8 mm |
| Cable outlet | straight |
| Color | black |
| Degree of protection | IP20 |
| No. of cable outlets | 1 |

Ambient conditions

| | |
|---------------------------------|------------------|
| Ambient temperature (operation) | -20 °C ... 70 °C |
| Degree of protection | IP20 |

Material data

RJ45 connector - VS-08-RJ45-5-Q/IP20-EC - 1417401

Technical data

Material data

| | |
|--|------------------|
| Flammability rating according to UL 94 | V0 |
| Housing material | PA |
| Contact carrier material | PC |
| Contact material | Copper alloy |
| Contact surface material | Gold over nickel |
| Material | Plastic |
| Height | 14.6 mm |

Electrical characteristics

| | |
|---|--|
| Number of positions | 8 |
| Transmission characteristics (category) | CAT5 (IEC 11801:2002) |
| GRP transmission properties | CAT5 (IEC 11801:2002) CAT5 (IEC 11801:2002) |
| Transmission speed | 1 Gbps |
| Rated current | 1.75 A |
| Overvoltage category | I |
| Degree of pollution | 1 |
| Contact resistance | 0.001 Ω (Wire – IDC) 0.005 Ω (Litz wires – IDC) |
| Rated voltage (III/3) | 72 V (DC) |

Standards and Regulations

| | |
|--|----|
| Flammability rating according to UL 94 | V0 |
|--|----|

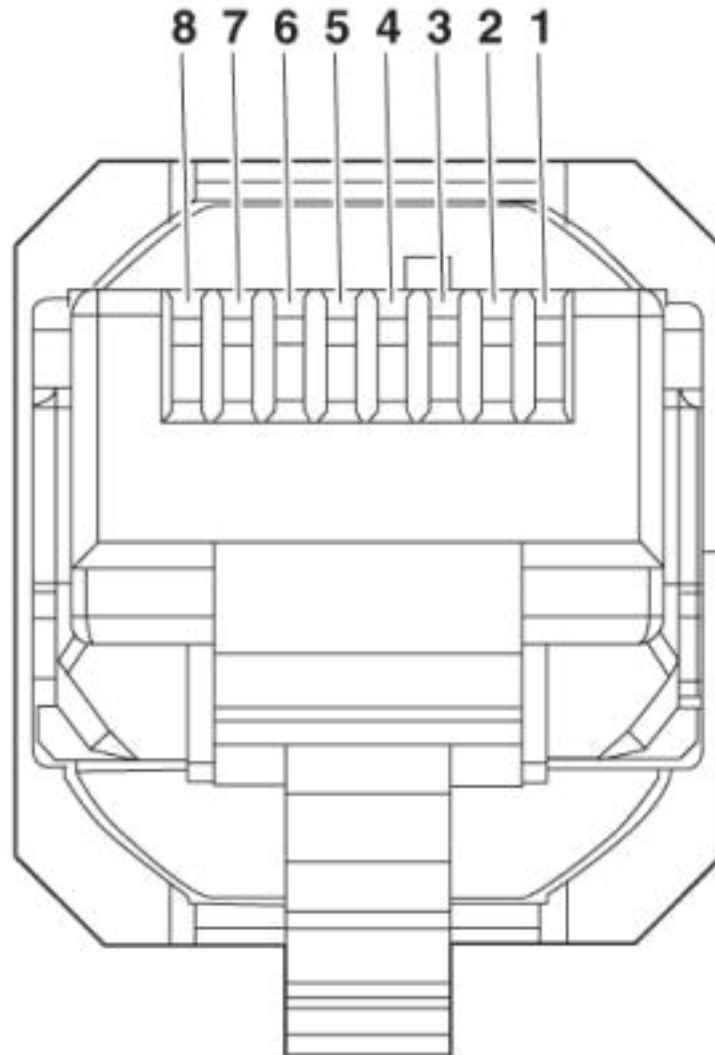
Environmental Product Compliance

| | |
|------------|---|
| China RoHS | Environmentally friendly use period: unlimited = EFUP-e |
| | No hazardous substances above threshold values |

Drawings

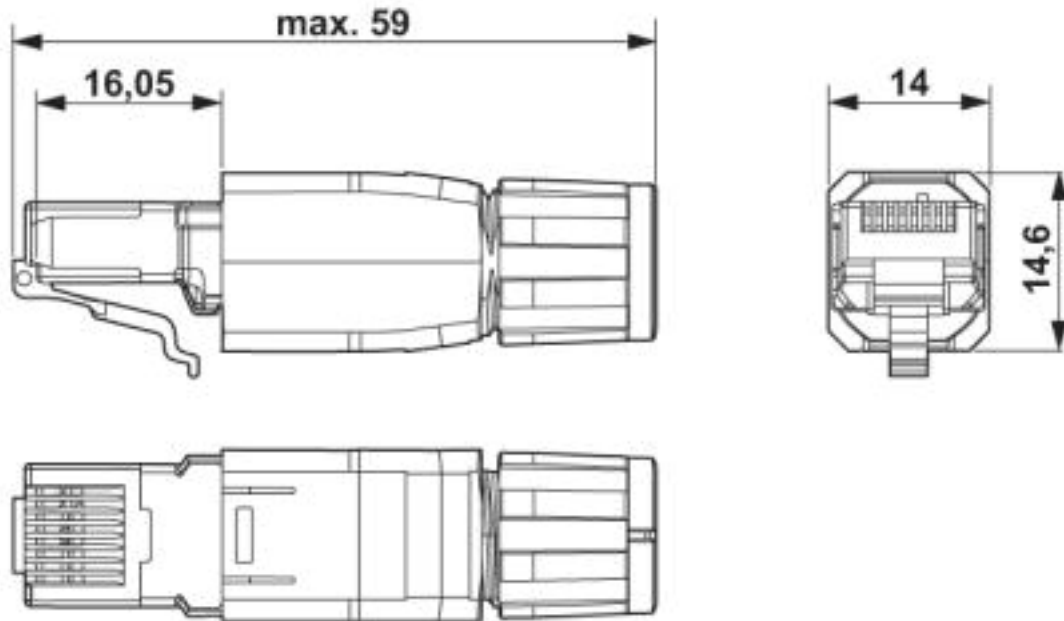
RJ45 connector - VS-08-RJ45-5-Q/IP20-EC - 1417401

Schematic diagram



RJ45 connector - VS-08-RJ45-5-Q/IP20-EC - 1417401

Dimensional drawing



RJ45 connector, IP20

Approvals

Approvals

Approvals

EAC

Ex Approvals

Approval details

EAC



B.01742

Phoenix Contact 2019 © - all rights reserved
<http://www.phoenixcontact.com>

PHOENIX CONTACT GmbH & Co. KG
Flachmarktstr. 8
32825 Blomberg
Germany
Tel. +49 5235 300
Fax +49 5235 3 41200
<http://www.phoenixcontact.com>