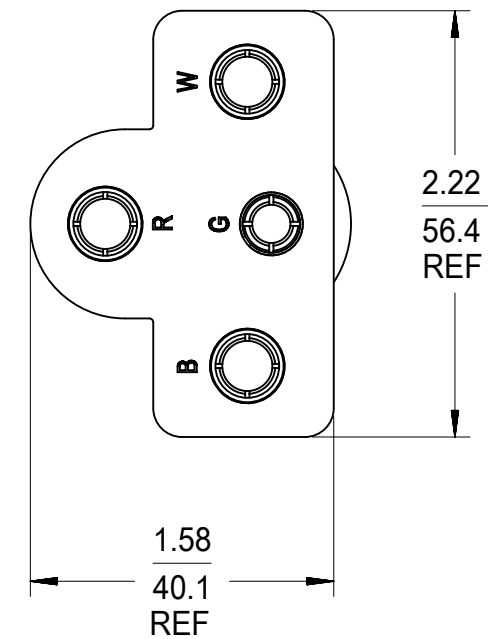
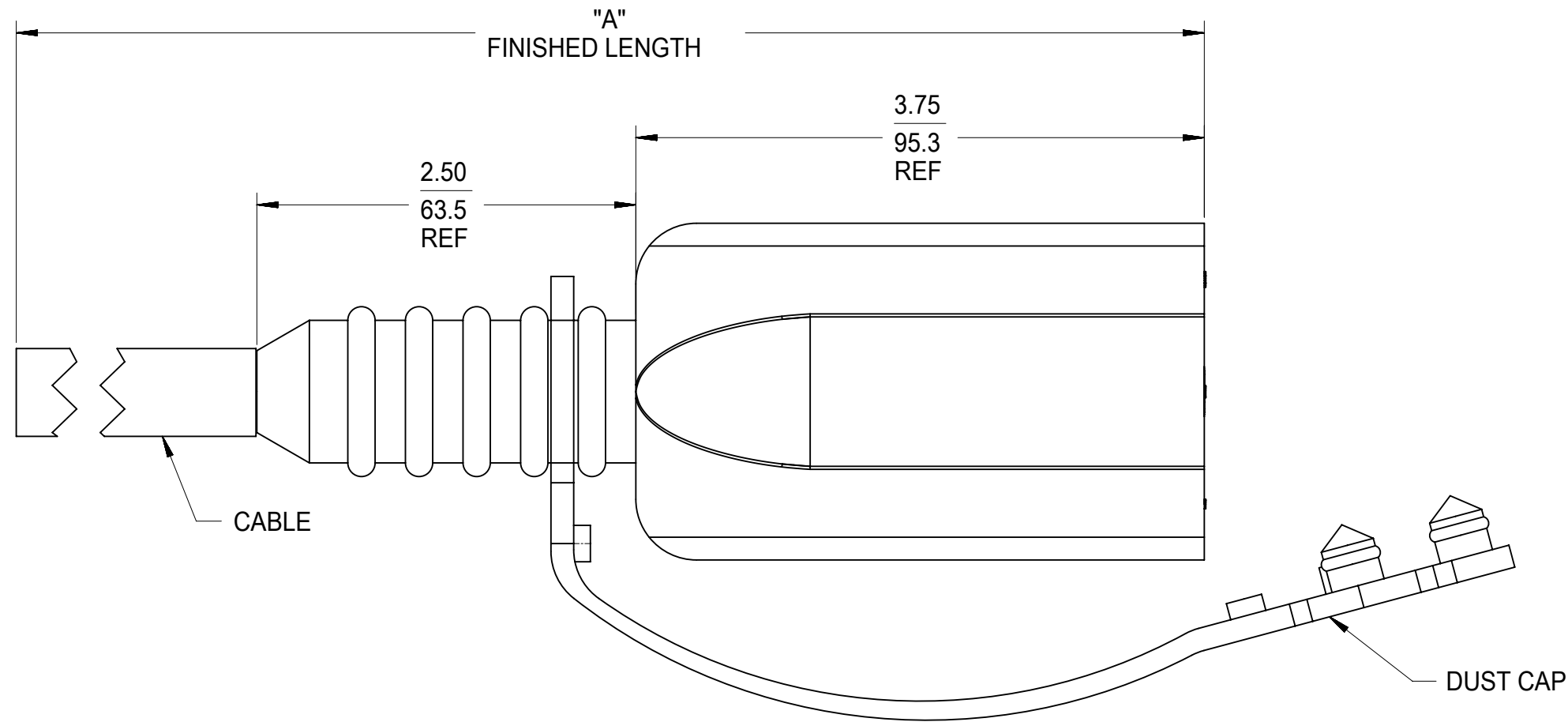
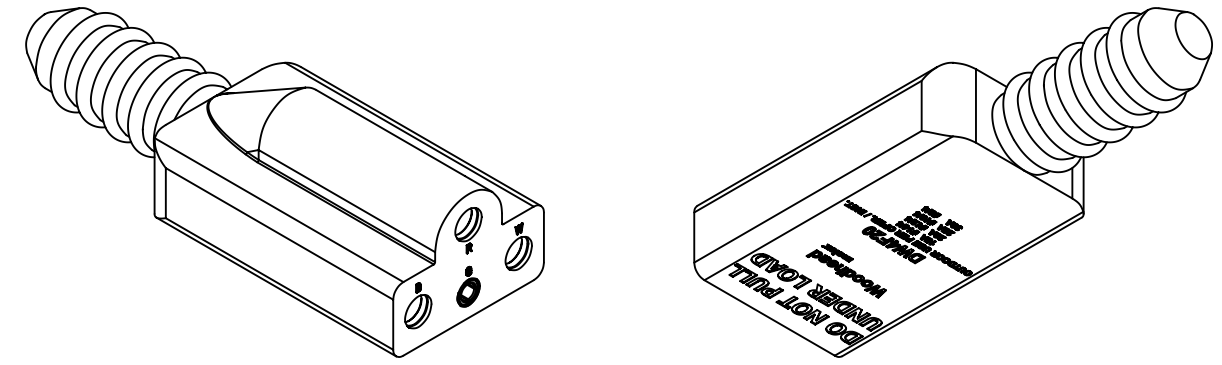


ASSEMBLY MATERIAL NUMBER	ENG. P/N	ASSEMBLY DESCRIPTION	"A" FINISHED LENGTH
1301500325	DW4F20	FEMALE OVERMOLD CABLE ASSEMBLY, #8/4	6 FT



- NOTES:
- 1) OVERMOLD MATERIAL: RUBBER (NEOPRENE OR CPE)
  - 2) TERMINALS: COPPER ALLOY
  - 3) CABLE JACKET MATERIAL: RUBBER (NEOPRENE OR CPE)
  - 4) CABLE IS MSHA LISTED.
  - 5) WARNING: DO NOT PULL UNDER LOAD.
  - 6) VOLTAGE RATING: 600 V MAX.
  - 7) CURRENT RATING:
    - 8AWG/4 CONDUCTOR - 30 AMPS
    - 10AWG/4 CONDUCTOR - 25 AMPS
    - 12AWG/4 CONDUCTOR - 20 AMPS
    - 14AWG/4 CONDUCTOR - 15 AMPS

THIS DRAWING CONTAINS INFORMATION THAT IS PROPRIETARY TO MOLEX ELECTRONIC TECHNOLOGIES, LLC AND SHOULD NOT BE USED WITHOUT WRITTEN PERMISSION																	
DIMENSION UNITS	SCALE	CURRENT REV DESC: MIGRATE TO NX. UPDATE NOTE 1 AND 3															
INCH	NTS	<div style="text-align: center;"><b>molex</b></div> <p>FEMALE RECEPTACLE CABLE ASSEMBLY 15-30AMPS, #8 - #14AWG</p> <p>PRODUCT CUSTOMER DRAWING</p> <table border="1" style="width: 100%;"> <tr> <td>DOCUMENT NUMBER</td> <td>DOC TYPE</td> <td>DOC PART</td> <td>REVISION</td> </tr> <tr> <td>SD-130150-002</td> <td>PSD</td> <td>001</td> <td>B1</td> </tr> </table>								DOCUMENT NUMBER	DOC TYPE	DOC PART	REVISION	SD-130150-002	PSD	001	B1
DOCUMENT NUMBER	DOC TYPE									DOC PART	REVISION						
SD-130150-002	PSD									001	B1						
GENERAL TOLERANCES (UNLESS SPECIFIED)																	
ANGULAR TOL	± 2.0°																
4 PLACES	±																
3 PLACES	±																
2 PLACES	±																
1 PLACE	± 0.03																
0 PLACES	±																
DRAFT WHERE APPLICABLE MUST REMAIN WITHIN DIMENSIONS		THIRD ANGLE PROJECTION	DRAWING	SERIES	MATERIAL NUMBER	CUSTOMER		SHEET NUMBER									
			B-SIZE	130150	SEE CHART	GENERAL MARKET		1 OF 1									