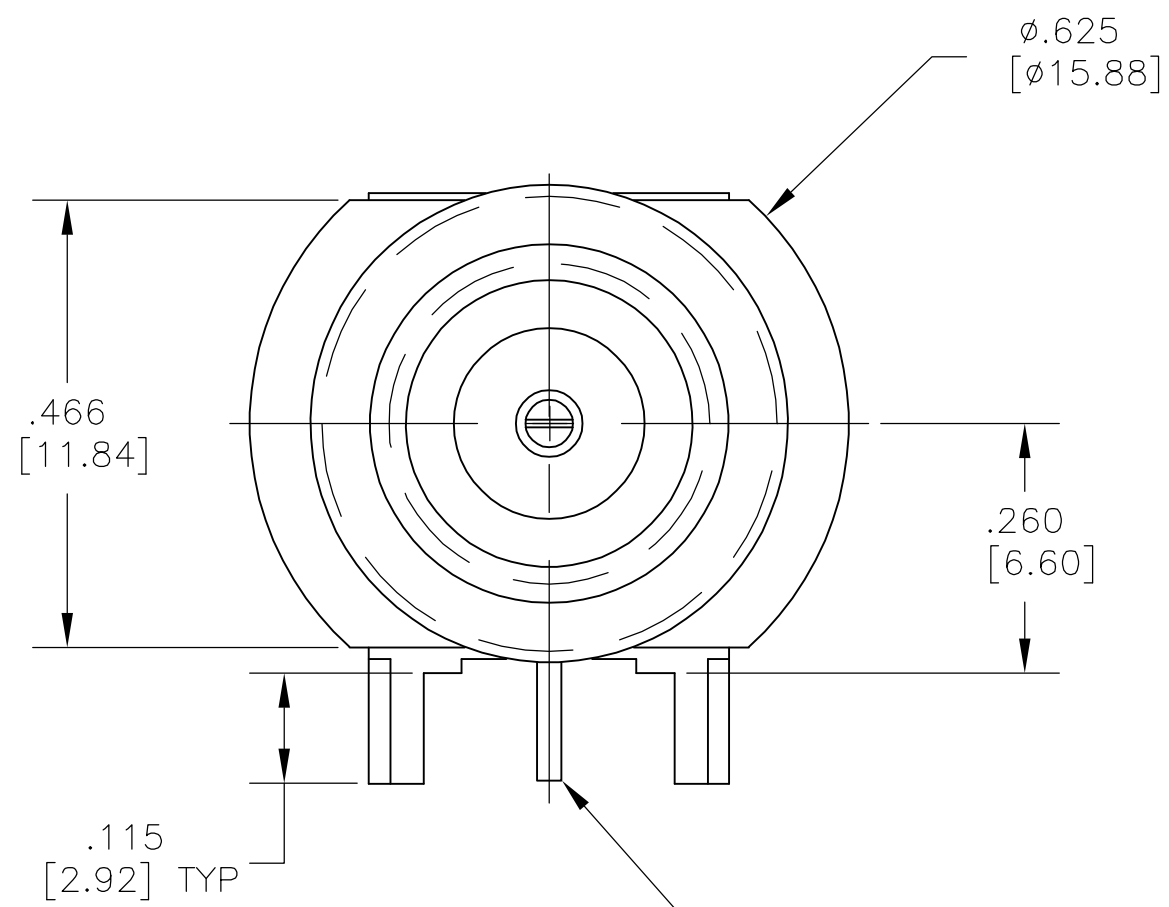
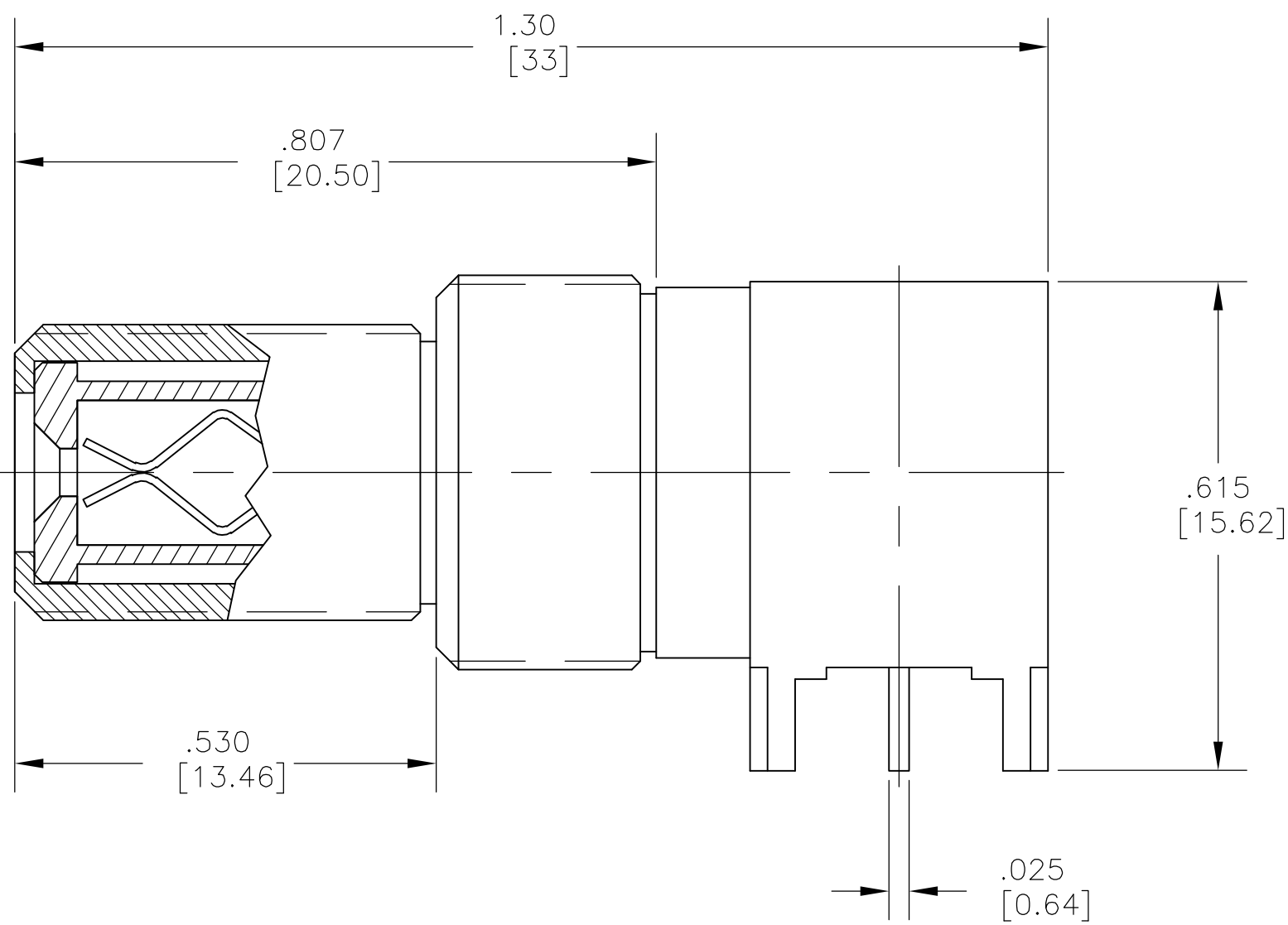
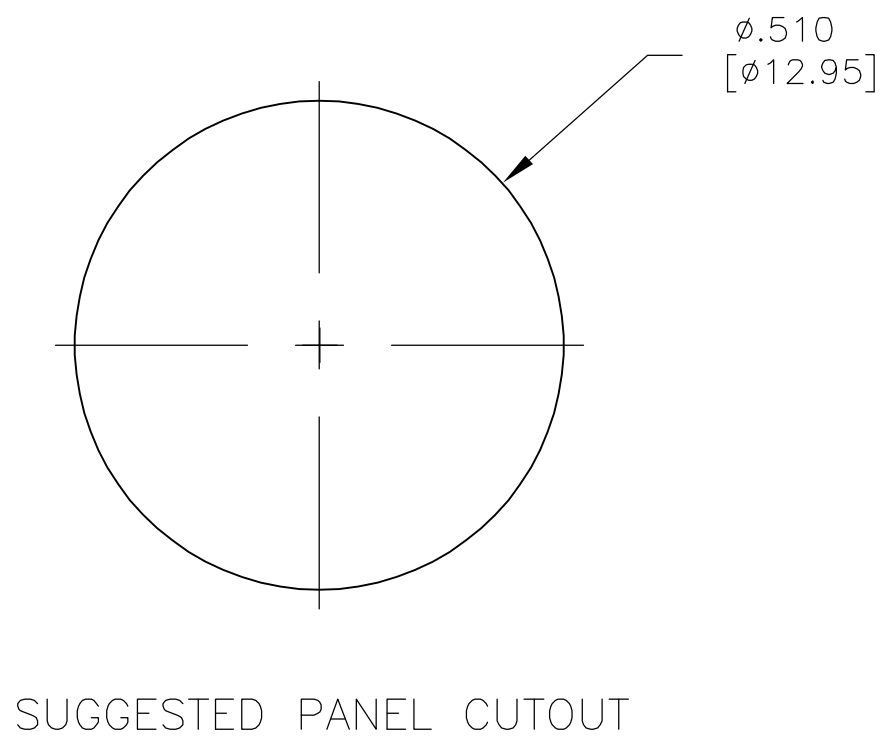


THIS DRAWING IS UNPUBLISHED. RELEASED FOR PUBLICATION
 © COPYRIGHT BY TYCO ELECTRONICS CORPORATION. ALL RIGHTS RESERVED.

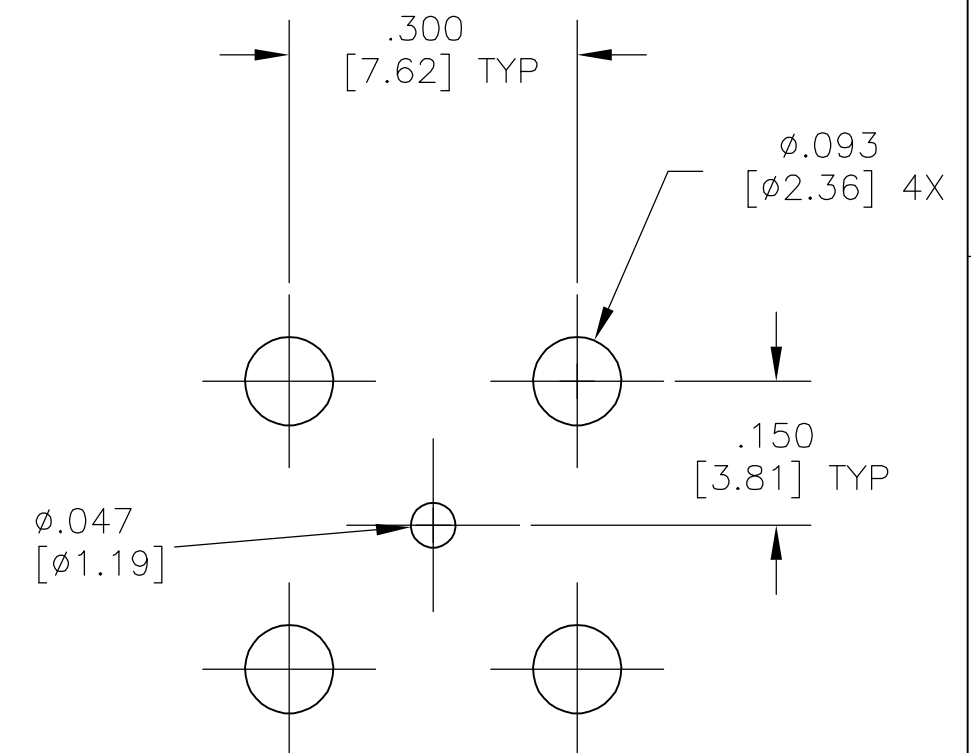
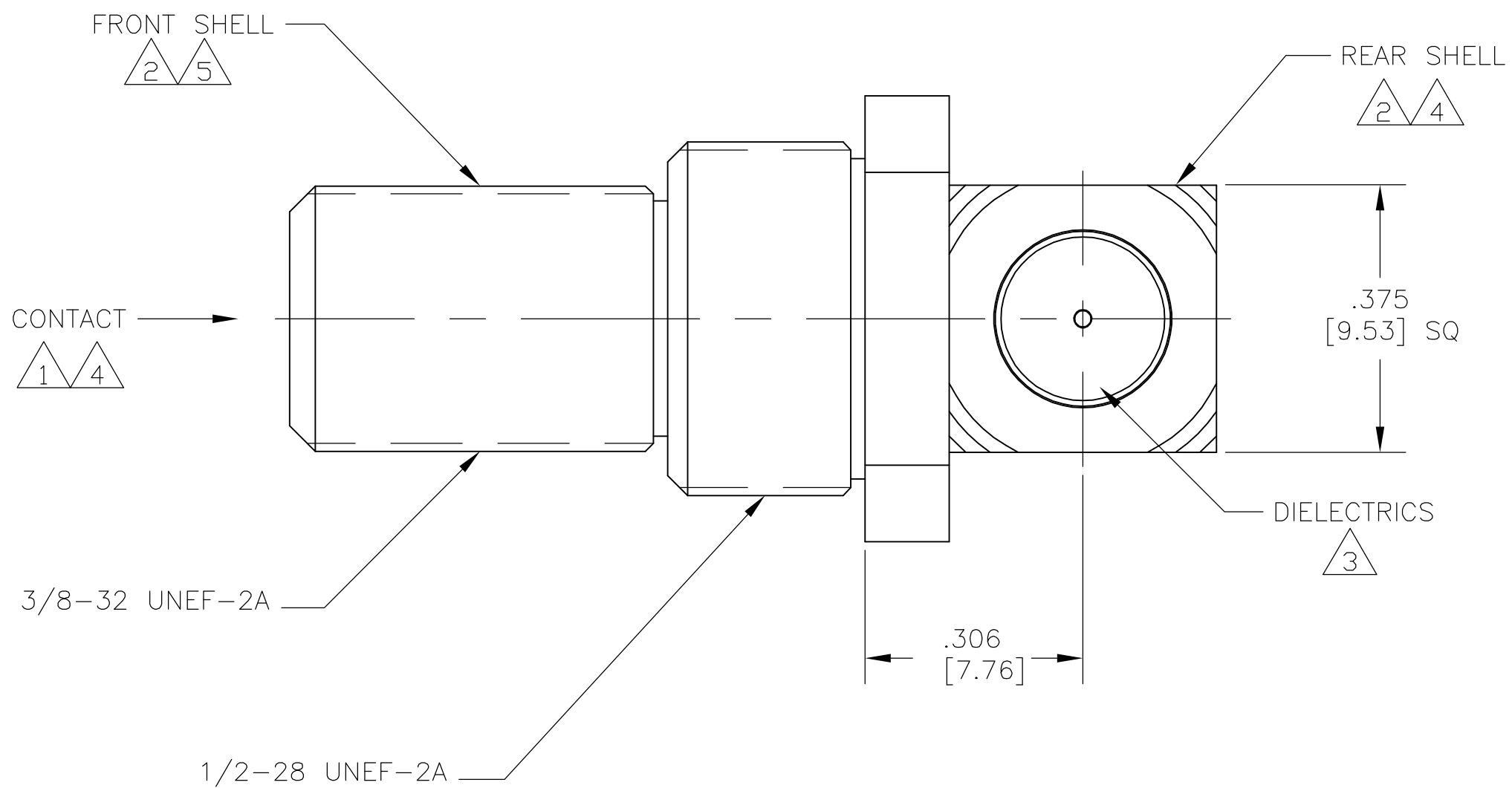
LOC		DIST		REVISIONS			
P	LTR	DESCRIPTION	DATE	DWN	APVD		
	B1	REV PER ECO 06-022502	2/20/2007	DW	KW		



CONTACT WIRE
 6 4



- 1 PHOSPHOR BRONZE.
- 2 BRASS.
- 3 PTFE.
- 4 TIN PLATE 3.81 μm [.000150] MINIMUM THICK.
- 5 NICKEL PLATE 3.81 μm [.000150] MINIMUM THICK.
- 6 BRASS.
- 7. CONNECTOR WILL ACCEPT CENTER CONDUCTOR DIAMETER RANGE OF 0.56 [.022] - 1.190 [.047].
- 8. RETURN LOSS: 500 MHz = 27 dB
1000 MHz = 26dB



PCB CONFIGURATION
 (TOLERANCE: ±.003 [0.08])

1274699-1
 PART NUMBER

THIS DRAWING IS A CONTROLLED DOCUMENT.		DWN K. WEIDNER	28JUN05	tyco Electronics		Tyco Electronics Corporation Harrisburg, PA 17105-3608	
DIMENSIONS: mm [INCHES]		CHK K. WEIDNER	02DEC05			NAME JACK, PCB, RIGHT ANGLE, F SERIES	
TOLERANCES UNLESS OTHERWISE SPECIFIED:		APVD K. WEIDNER	02DEC05	PRODUCT SPEC 108-1755		SIZE A2	CAGE CODE 00779
0 PLC ± -		APPLICATION SPEC		DRAWING NO C=1274699		RESTRICTED TO	
1 PLC ± -		MATERIAL		WEIGHT		SCALE 5:1	SHEET 1 of 1
2 PLC ± .010 [0.26]		FINISH		CUSTOMER DRAWING		REV B1	
3 PLC ± .005 [0.13]							
4 PLC ± -							
ANGLES ± 2°							