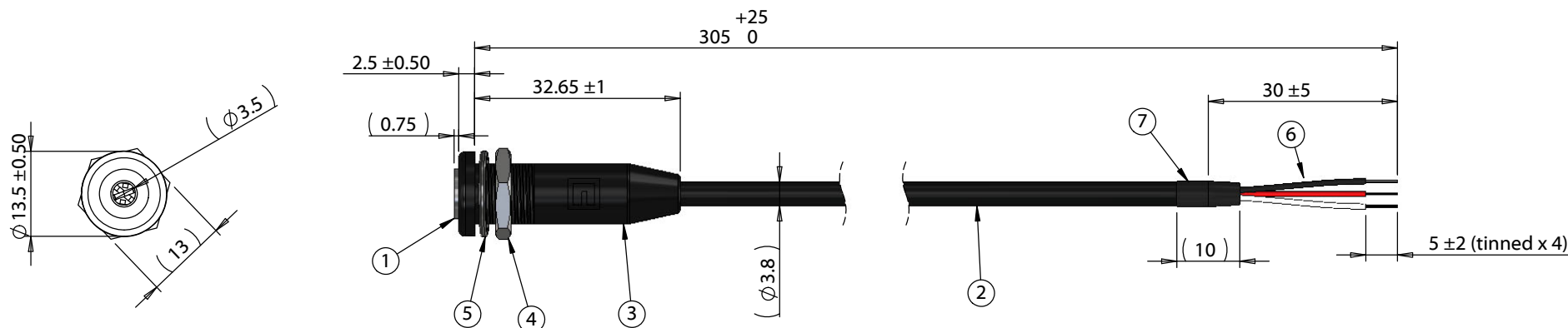


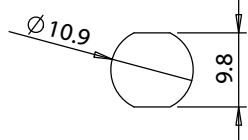
ITEM NO.	PART NUMBER	DESCRIPTION	QTY.	COMPONENT NOTES
1	50-00945	Connector, stereo jack, 3.5x7.8xL25.8 mm, brass, nickel plated, molding style	1	
2	30-00177	Wire, 2C BC, 28 AWG, 300V, 80C, 3.8 mm, foil + shield, PVC	1	
3	24-00342	Overmold, jack, 13.5x35.15 mm, panel mount	1	Nylon 94V-0, black
4	56-00000	Hardware, nut, hex, 13x2.5 mm, M11x1.0, brass, nickel plated	1	
5	56-00001	Hardware, washer, lock, 14x11.1x1.1 mm, SPCC, nickel plated	1	
6	Heat Shrink	Black, UL	1	covers shield
7	Heat Shrink	Black, UL	1	covers jacket end



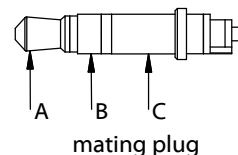
**Installation Details**

Panel thickness: 1.5 - 4.5

Recommended panel cutout:



M11x1.0



Wiring Diagram	
50-00945	Wire Color
A	Red
B	White
C	Black

**Notes:**  
Functionally equivalent components may be substituted

Revision:	Date:	Description:	Prepared:	Notes: RoHS compliant	<b>TENSILITY</b> tel 1.541.323.3228 800 877.670.7118 fax 1.541.323.4202 web tensility.com
A	6/3/2020	Initial release	Verified:		
			Dimensions are in millimeters. Tolerances: X: ± 0.5 mm X.X: ± 0.3 mm X.XX: ± 0.05 mm	Description: Cable, 305 mm, 3.5 mm panel mount stereo jack 50-00945 to stripped and tinned, 28 AWG, 30-00177	Size: A Part number: 10-03706
					Scale: 1:1  Sheet 1 of 1

5

4

3

2

1