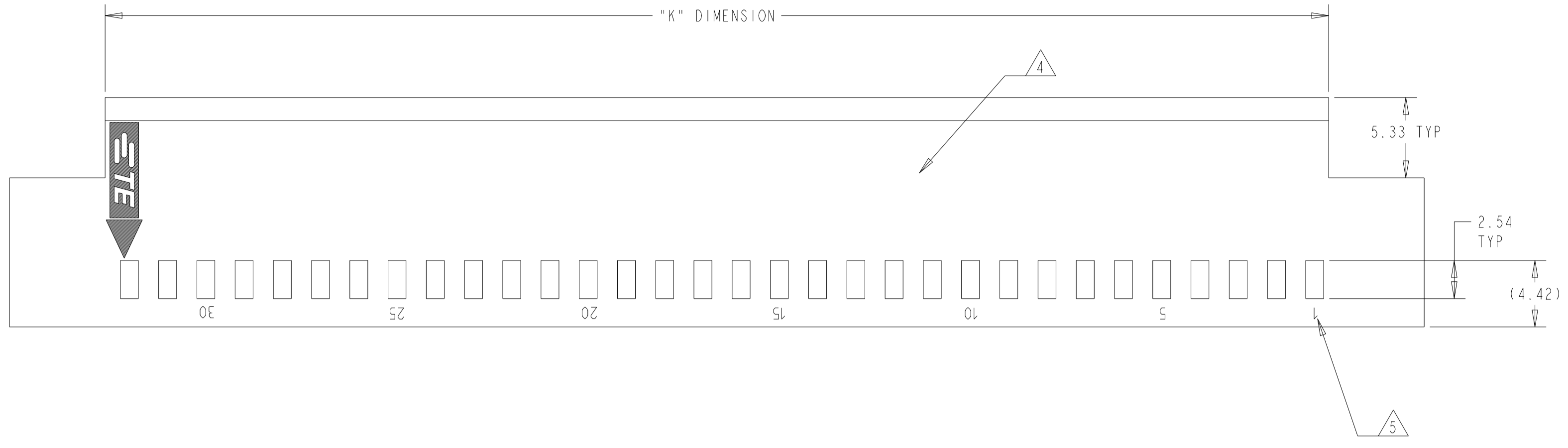
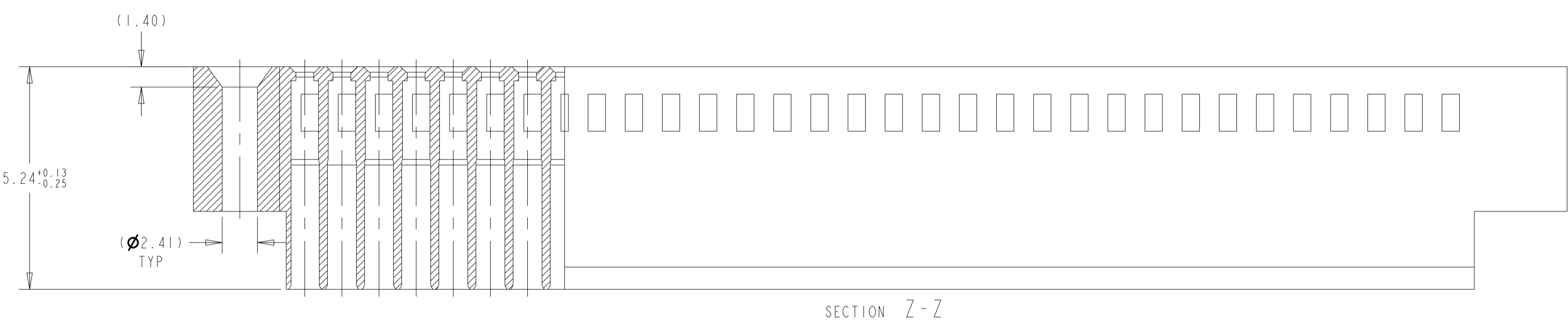
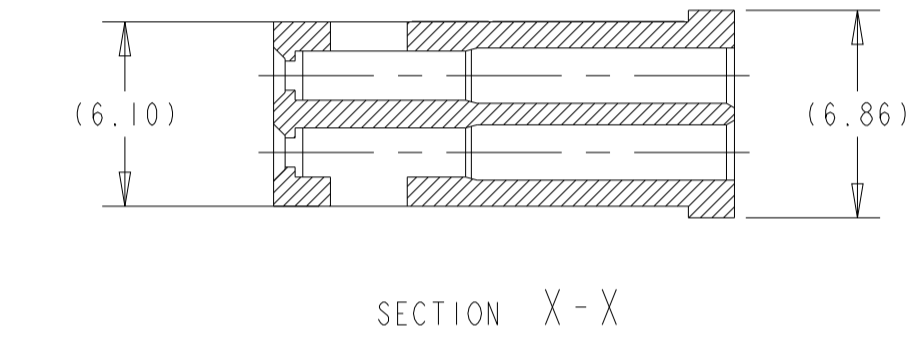
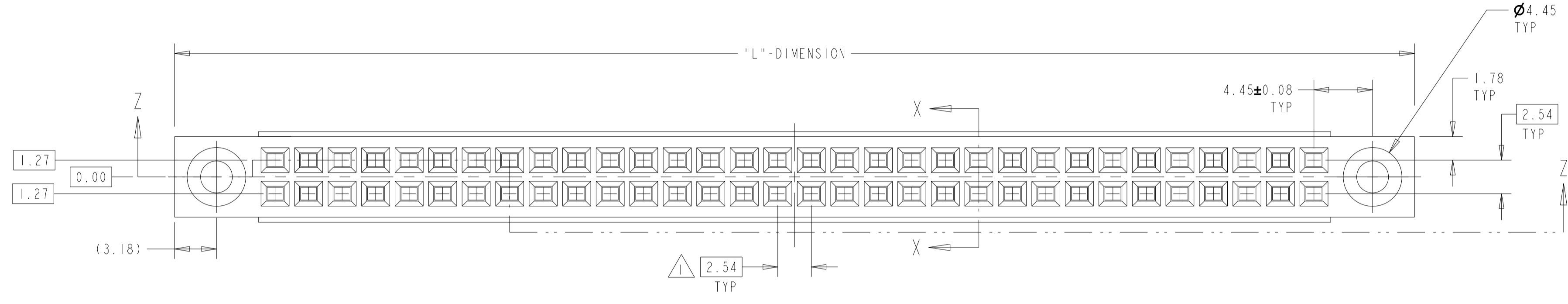


REVISIONS					
P	LTN	DESCRIPTION	DATE	DWN	APVD
V3		REVISED PER ECO-19-018707	18DEC2019	RS	JO
V4		REVISED PER ECO-20-001077	04MAR2020	SM	JO
W		REVISED PER ECR-22-132152	15JUN2022	RK	SD

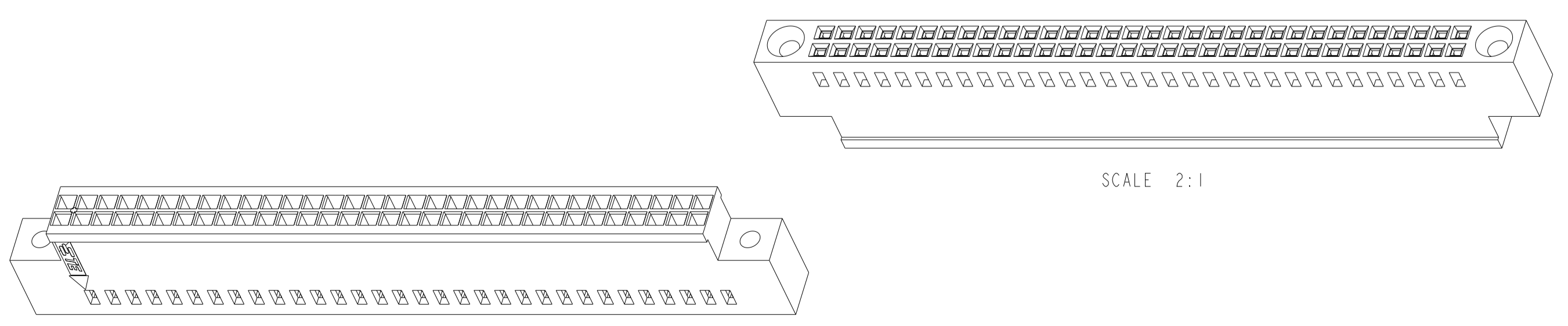


- △ CAVITY LOCATION DIMENSIONS INCREASE IN INCREMENTS OF 2.54 TOLERANCE NON-CUMULATIVE
- △ USE EXTRACTION TOOL 91052-1 TO REMOVE RECEPTACLE CONTACTS.
- △ OBSOLETE PARTS: OBSOLETE CIS STREAMLINING PER D. RENAUD/D. SINISI
- △ 'TE' PART NUMBER AND DATE CODE MARKED WHEN HOUSING SIZE PERMITS.
- △ 1.17±.38 CHARS. MARKED FIRST AND EVERY 5TH CAVITY, ONE SIDE.
- △ MATERIAL: GLASS FILLED THERMOPLASTIC, UL 94-V0 RATED, COLOR: BLACK
- 7. THE PRODUCT IS IN PROCESS FOR UL RECOGNITION.
- 8. THE PRODUCT IS IN PROCESS FOR QUALIFICATION, AND IS NOT YET QUALIFIED.

LONGEST POSITION SHOWN



ISOMETRIC VIEW



3	Part Number	93.98	81.28	31	64	5-87483-4
	5-87483-1	86.36	73.66	28	58	5-87483-2
	4-87483-9	83.82	71.12	27	56	5-87483-0
	4-87483-7	76.20	63.50	24	50	4-87483-8
	4-87483-5	73.66	60.96	23	48	4-87483-6
	4-87483-3	71.12	58.42	22	46	4-87483-4
	4-87483-1	66.04	53.34	20	42	4-87483-2
	3-87483-9	60.96	48.26	18	38	4-87483-0
	3-87483-7	58.42	45.72	17	36	3-87483-8
	3-87483-5	55.88	43.18	16	34	3-87483-6
	3-87483-3	50.80	38.10	14	30	3-87483-4
	3-87483-1	48.26	35.56	13	28	3-87483-2
	2-87483-9	43.18	30.48	11	24	3-87483-0
	2-87483-7	40.64	27.94	10	22	2-87483-8
	2-87483-5	35.56	22.86	8	18	2-87483-6
	2-87493-3	30.48	17.78	6	14	2-87483-4
	2-87483-1	27.94	15.24	5	12	2-87483-2
	1-87483-9	25.40	12.70	4	10	2-87836-0
	1-87483-7	22.86	10.16	3	8	1-87483-8
	1-87483-5	20.32	7.62	2	6	1-87483-6
	1-87483-3	78.74	66.04	25	52	1-87483-4
	1-87483-1	68.58	55.88	21	44	1-87483-2
	87483-9	63.50	50.80	19	40	1-87483-0
	87483-7	53.34	40.64	15	32	87483-8
	87483-5	45.72	33.02	12	26	87483-6
	87483-3	38.10	25.40	9	20	87483-4
	87483-1	33.02	20.32	7	16	87483-2
	UNMARKED HOUSING PART NUMBER	"L" DIM	"K" DIM	NUMBER OF SPACES	NUMBER OF POSITIONS	MARKED HOUSING PART NUMBER

THIS DRAWING IS A CONTROLLED DOCUMENT.

DWN R. SCHLAG BG 12-27-89  
 CHK P. SREMCICH 10-5-93  
 APVD P. SREMCICH 10-5-93

TE Connectivity

MOD IV CRIMP SNAP-IN CONNECTOR, DOUBLE ROW, 2.54 CENTERS, SHORT ENTRY

SIZE CAGE CODE DRAWING NO RESTRICTED TO  
 A 00779 C=87483

CUSTOMER DRAWING SCALE 4:1 SHEET 1 OF 1 REV W