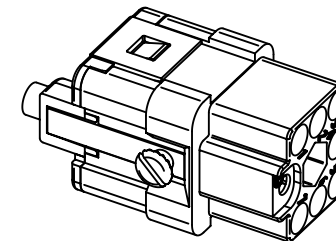
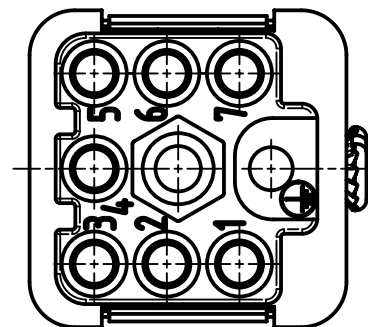
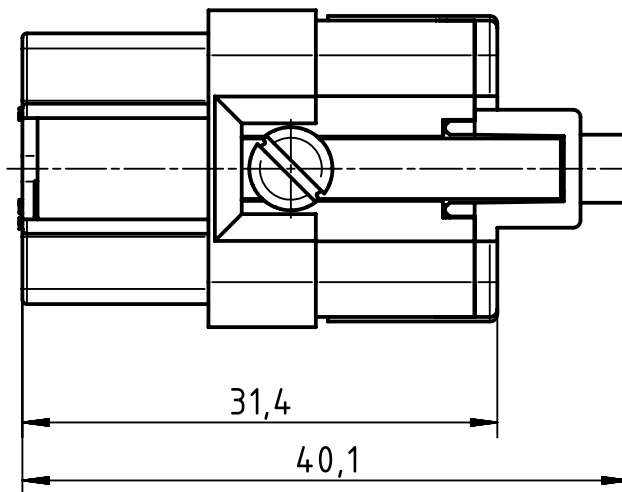
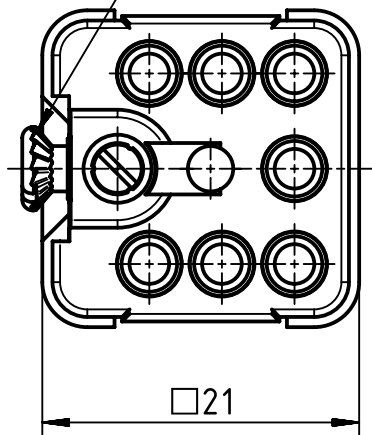
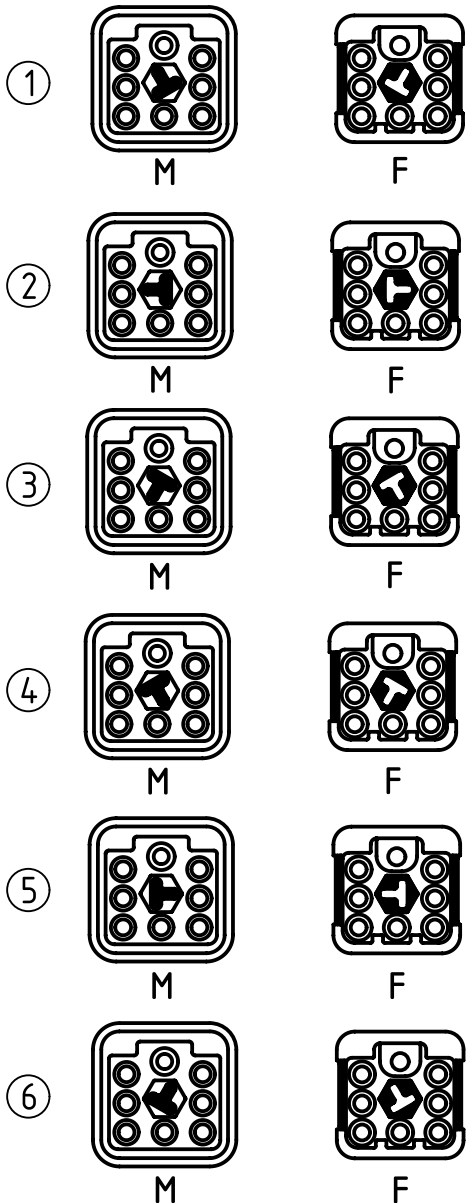



coding possibilities with
coding pin 09 12 000 9902

insert fixing screw is
enclosed separately



| | | | | | |
|---|---|--|---------------------------|-----------------------------|--|
|  | All rights reserved Department EL PD - DE HARTING Electric GmbH & Co. KG D-32339 Espelkamp | All Dimensions in mm Original Size DIN A4 | Scale 2:1 | Free size tol. | Ref. Sub. |
| | | Created by RULLKOETTER | Inspected by SCHNIEDER | Standardisation TIEMANNA | Date 2014-10-23 |
| Title Han Q 7/0-F | | | | | Doc-Key / ECM-Nr. 100132519/UGD/007/A 500000081101 |
| Type TB | | Number 09 12 007 3101 | | | Rev. A |
| | | | | | Page 1/1 |