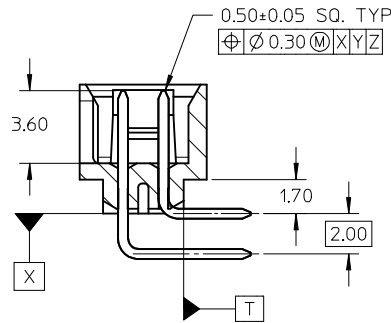
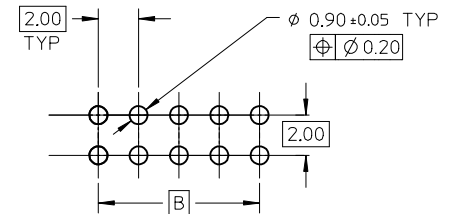


REF: ORIENTATION OF PART IN TUBE
(FOR THE REFERENCE OF PART/TUBE ASSEMBLY)



SECTION G-G

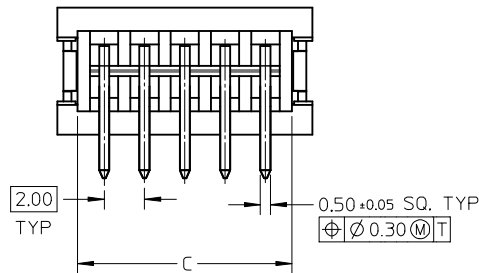
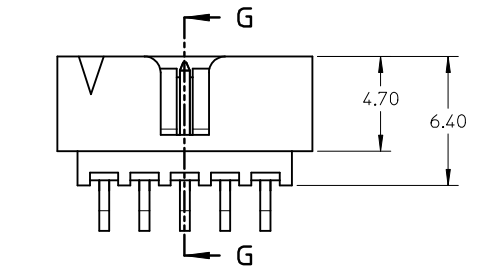
PART NO.	CKT SIZE	VOID PIN LOCATION	A	B	C	D	P
78046-0420	4	-	6.65	2.00	4.63	4.85	2.16
78046-0620	6	-	8.65	4.00	6.63	6.85	
78046-0820	8	-	10.65	6.00	8.63	8.85	
78046-1020	10	-	12.65	8.00	10.63	10.85	
78046-1021	10	7					
78046-1023	10	8					
78046-1220	12	-	14.65	10.00	12.63	12.85	



RECOMMENDED PCB PATTERN

NOTES:

- FOR ILLUSTRATION PURPOSES, 10 CIRCUIT SIZE WAFER IS SHOWN.
- MATERIAL :
HOUSING : NYLON 46, UL94V-0, COLOR : BLACK
PIN : 0.50MM SQ. PHOSPHOR BRONZE.
- PLATING : 0.38µm/15µm GOLD IN CONTACT AREA AND 1.88µm/75µm MIN. TIN IN SOLDER TAIL AREA OVER 1.27µm/50µm MIN. NICKEL OVERALL.
- PRODUCT SPECIFICATION PS-87831-027 APPLIES.
- THIS HEADER MATES WITH MOLEX:
- CRIMP RECEPTACLE HOUSING, 78045 SERIES WITH CRIMP TERMINAL, 50394 SERIES.
- PACKAGING SPECIFICATION: PK-87831-001



ADD NOTE 6	EC NO: S2017-0022	DRWN:GEMEARLY 2016/07/12	CHKD:SICHEONG 2016/07/17	APPR:KHLIM 2016/07/28	DESCRIPTION	QUALITY SYMBOLS		GENERAL TOLERANCES (UNLESS SPECIFIED)		DIMENSION STYLE		SCALE	DESIGN UNITS	THIRD ANGLE PROJECTION			
						F _A =0	F _C =0	F _P =0	mm	INCH	MM ONLY	NTS	METRIC	PROJECTION			
B1	REV	ADD NOTE 6	EC NO: S2017-0022	DRWN:GEMEARLY 2016/07/12	CHKD:SICHEONG 2016/07/17	APPR:KHLIM 2016/07/28	DESCRIPTION	4 PLACES	± ---	± ---	DRAWN BY	DATE	TITLE	MGRID, SHROUDED HEADER W/SLOT AND SIDE LOCKS R/A	MATERIAL NO.		
								3 PLACES	± ---	± ---	SKANG	2006/05/16					
								2 PLACES	± 0.2	± ---	CHECKED BY	DATE					
								1 PLACE	± ---	± ---	MLONG	2006/06/05					
								0 PLACE	± ---	± ---	APPROVED BY	DATE					
								ANGULAR ± 3 °	SKTOH	2006/06/09							
								DRAFT WHERE APPLICABLE MUST REMAIN WITHIN DIMENSIONS	SEE TABLE					DOCUMENT NO.	SD-78046-001	SHEET NO.	1 OF 1
THIS DRAWING CONTAINS INFORMATION THAT IS PROPRIETARY TO MOLEX INCORPORATED AND SHOULD NOT BE USED WITHOUT WRITTEN PERMISSION																	