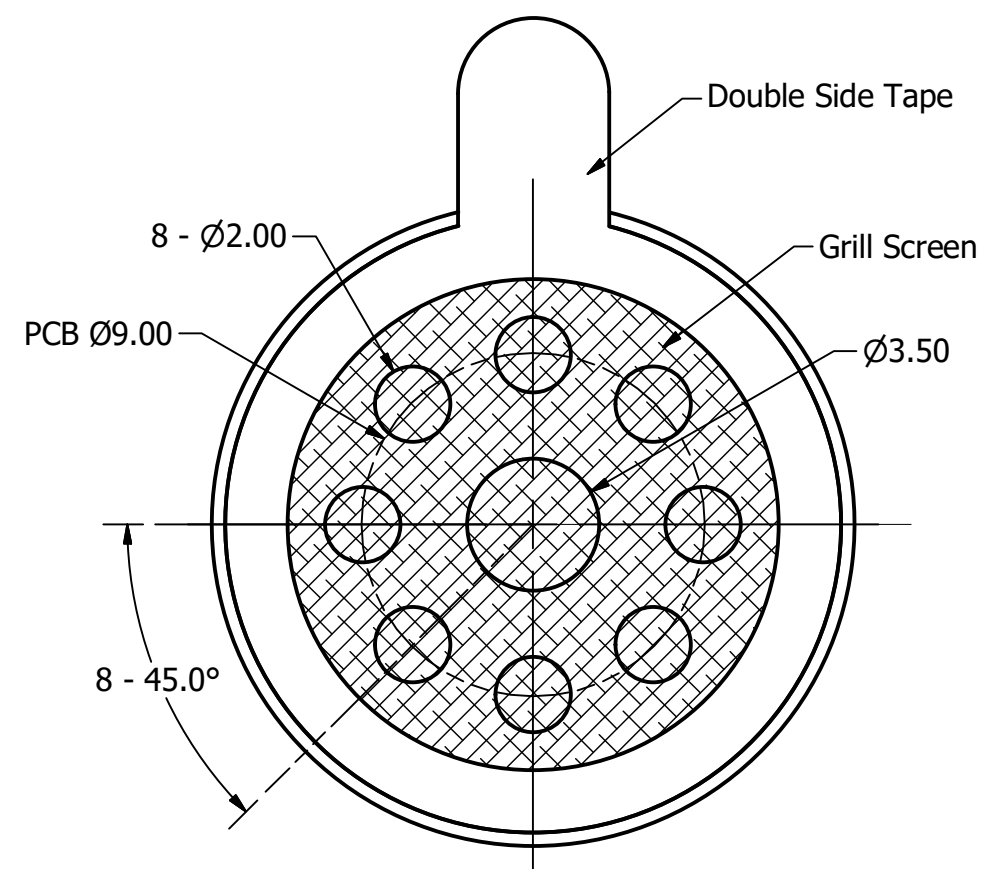
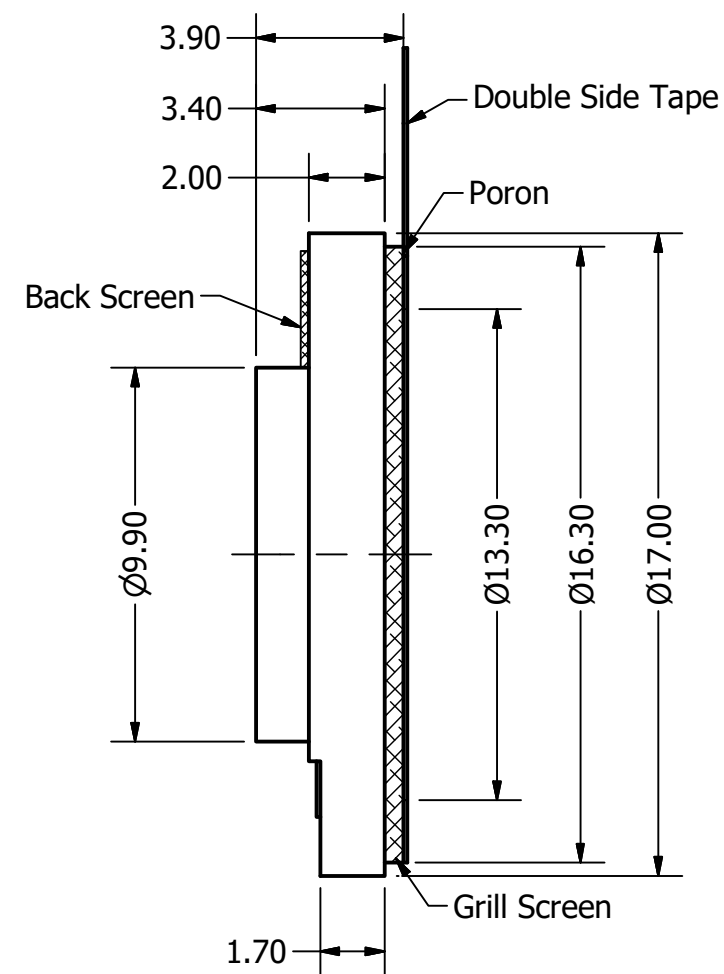


Part Number:	SM170808-1	
Description:	Dynamic Speaker	
DRAWN	CJ	3/25/2016
CHECKED	P.D	3/25/2016
APPROVED	J.S	3/25/2016
This document contains data proprietary to DB Unlimited. Any use or reproduction, in any form, without prior written permission of DB Unlimited is prohibited. All terms and conditions can be found at www.dbunlimitedco.com		

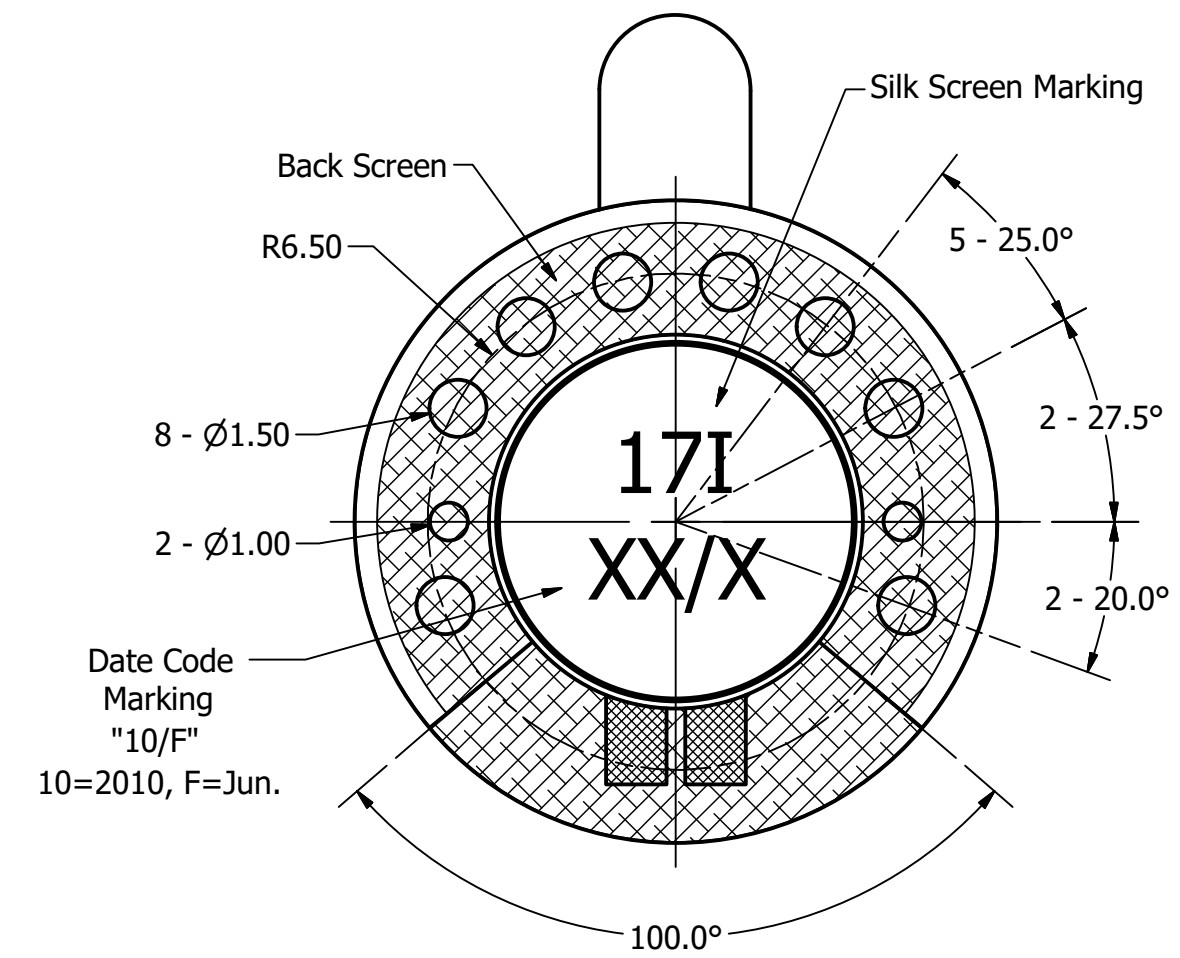
Top View



Side View



Bottom View



Items	Specifications	Conditions	REVISION HISTORY			
Sound Pressure Level	90	dB (@ 10cm)	REV	DESCRIPTION	DATE	APPROVED
Resonant Frequency	800	Hz	1	Released from Engineering	2/5/2014	J.S.
Frequency Range	250 ~ 10,000	Hz		Updated to new template	3/25/2016	J.S.
Nominal Power	0.8	W	NOTES			
Max. Power	1	W	1) All dimensions are in mm unless otherwise noted			
Impedance	8	Ω	2) All tolerances are ± 0.5 mm unless otherwise noted			
Cone Material	Mylar		3) All parts meet RoHS			
Mount Type	Flush Mount		4) Subject to change or redrawn without notice			
Storage Temperature	-30 ~ +70	$^\circ\text{C}$				
Operating Temperature	-30 ~ +70	$^\circ\text{C}$				
Weight	1.5	g				