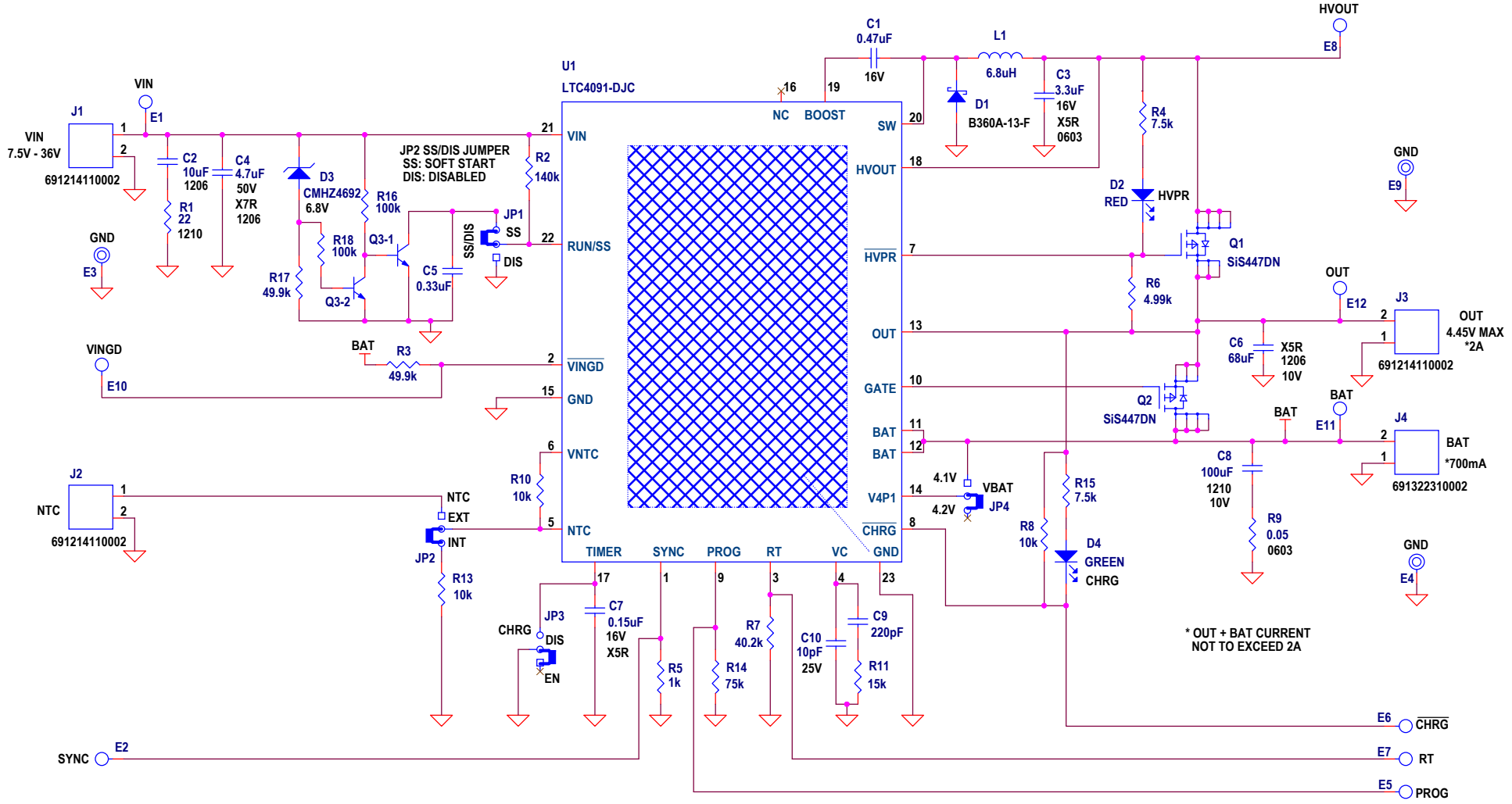


REVISION HISTORY				
ECO	REV	DESCRIPTION	APPROVED	DATE
-	3	PRODUCTION FAB		



\* OUT + BAT CURRENT NOT TO EXCEED 2A

**PCA ADDITIONAL PARTS**

MP1	STANDOFF,NYLON, SNAP-ON, 0.250"
MP2	STANDOFF,NYLON, SNAP-ON, 0.250"
MP3	STANDOFF,NYLON, SNAP-ON, 0.250"
MP4	STANDOFF,NYLON, SNAP-ON, 0.250"
J5	CONN.,TERM BLOCK,F,2POS,3.81mm,RA CABLE MOUNT
LB1	LABEL
PCB1	PCB, DC2558A REV03
STNCL1	TOOL, STENCIL, DC2558A REV03

NOTE: UNLESS OTHERWISE SPECIFIED

- ALL RESISTORS ARE ±1%, 0402.
- ALL CAPACITORS ARE 50V, 0402.

**CUSTOMER NOTICE**

LINEAR TECHNOLOGY HAS MADE A BEST EFFORT TO DESIGN A CIRCUIT THAT MEETS CUSTOMER-SUPPLIED SPECIFICATIONS; HOWEVER, IT REMAINS THE CUSTOMER'S RESPONSIBILITY TO VERIFY PROPER AND RELIABLE OPERATION IN THE ACTUAL APPLICATION. COMPONENT SUBSTITUTION AND PRINTED CIRCUIT BOARD LAYOUT MAY SIGNIFICANTLY AFFECT CIRCUIT PERFORMANCE OR RELIABILITY. CONTACT LINEAR TECHNOLOGY APPLICATIONS ENGINEERING FOR ASSISTANCE.

**APPROVALS**

PCB DES.	N. CARLONE
APP ENG.	W. TAYLOR

IC NO.  
**LTC4091DJC**

SKU NO.  
**DC2558A**

1630 McCarthy Blvd.  
Milpitas, CA 95035  
Phone: (408)432-1900 www.linear.com  
Fax: (408)434-0507  
LTC Confidential-For Customer Use Only

TITLE: DEMO CIRCUIT SCHEMATIC,  
**36V BATTERY CHARGER AND POWER BACKUP MANAGER**

PCA BOM: 700-DC2558A\_REV03  
PCA ASS'Y: 705-DC2558A\_REV03

SCHEMATIC NO. AND REVISION:  
**710-DC2558A\_REV03**

THIS CIRCUIT IS PROPRIETARY TO LINEAR TECHNOLOGY AND SUPPLIED FOR USE WITH LINEAR TECHNOLOGY PARTS.

SIZE: N/A SCALE = NONE

DATE: Tuesday, April 25, 2017

SHEET 1 OF 1