

AT91RM9200 Development Kit

User Guide





Table of Contents

Section 1

Overview	1-1
1.1 Scope	1-1
1.2 Deliverables	1-1
1.3 The AT91RM9200 Development Board	1-1

Section 2

Setting Up the AT91RM9200 Development Board	2-1
2.1 Electrostatic Warning	2-1
2.2 Requirements	2-1
2.3 Powering Up the Board	2-1
2.4 Connecting the Board	2-2
2.5 Getting Started with the AT91RM9200	2-3

Section 3

Board Description	3-1
3.1 AT91RM9200 Processor	3-1
3.2 Memory	3-2
3.3 Memory Card	3-2
3.4 Clock Circuitry and Analog Functions	3-2
3.5 Reset Circuitry	3-2
3.6 Power Supply Circuitry	3-2
3.7 Remote Communication	3-3
3.8 User Interface	3-3
3.9 Expansion Slots	3-3
3.10 Debug Interface	3-3

Section 4

Configuration Straps	4-1
4.1 Configuration Straps and Jumper Settings	4-1

Section 5

Schematics	5-1
5.1 Schematics	5-1



Section 1

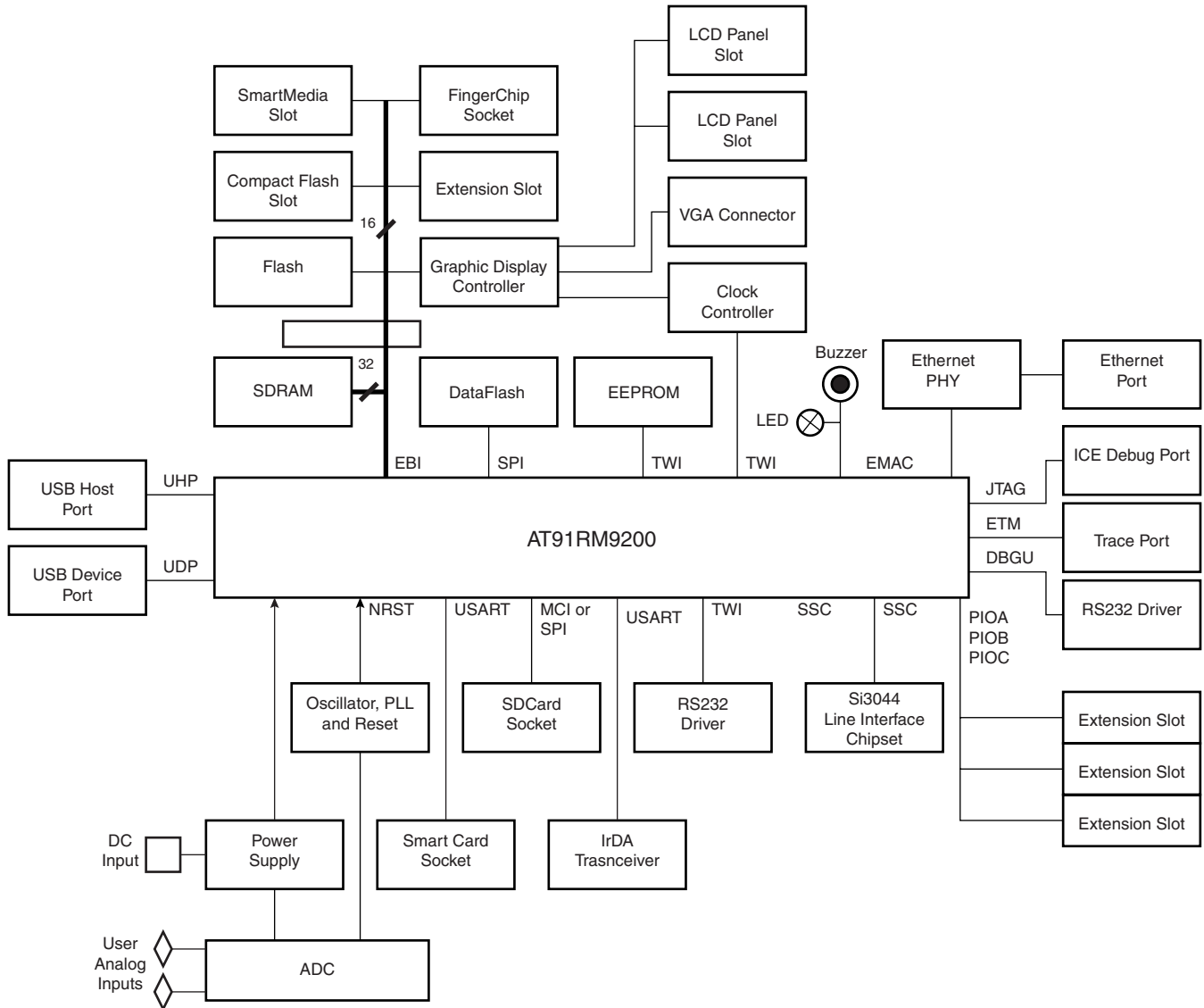
Overview

-
- 1.1 Scope** The AT91RM9200 Development Board enables real-time code development and evaluation. It supports the AT91RM9200 ARM9-based 32-bit RISC microcontroller.
- This guide focuses on the AT91RM9200 Development Board as an evaluation and demonstration platform:
- Section 1 is this overview.
 - Section 2 gives information on setting up the installation.
 - Section 3 contains a description of the development board.
 - Section 4 details the configuration straps.
 - Section 5 shows board schematics.
-
- 1.2 Deliverables** The development kit is delivered with:
- One AC adapter 100 - 240V ~ 1.0A, 50 - 60 Hz
 - One modem RS232 cable
 - One RJ45 Ethernet crossed cable
 - One A/B-type USB cable
 - Two power supply cables, one US format, one French format
 - One CD-ROM containing summary and full datasheets, datasheets with electrical and mechanical characteristics, application notes and getting started documents for all development boards and AT91 microcontrollers. An AT91 software package with C and assembly listings is also provided. This allows the user to begin evaluating the AT91 ARM[®] Thumb[®] 32-bit microcontroller quickly.
-
- 1.3 The AT91RM9200 Development Board** The board consists of an AT91RM9200 together with the following:
- 2M bytes of parallel Flash memory
 - Four banks of 2M x 32-bit SDRAM
 - 128K bytes of EEPROM with two-wire interface access

Overview

- 8M bytes of serial DataFlash®
- Five communication ports (USB host and device, Ethernet, serial and IrDA)
- Graphic controller with output to a standard VGA monitor
- JTAG/ICE, ETM and debug interface
- Expansion connector

Figure 1-1. AT91RM9200 Development Board Block Diagram






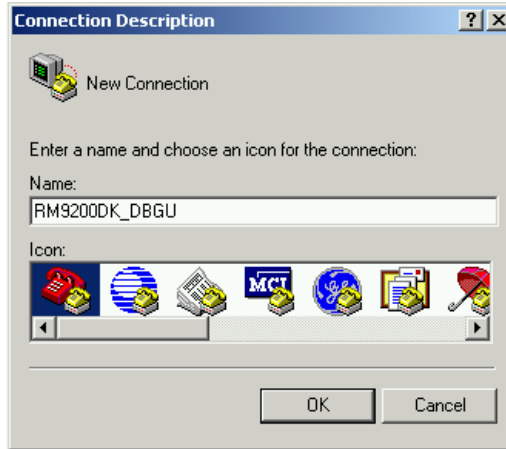
Section 2

Setting Up the AT91RM9200 Development Board

-
- 2.1 Electrostatic Warning** The AT91RM9200 development board is shipped in protective anti-static packaging. The board must not be subjected to high electrostatic potentials. A grounding strap or similar protective device should be worn when handling the board. Avoid touching the component pins or any other metallic element.
-
- 2.2 Requirements** In order to connect the AT91RM9200 development board, the following elements are required:
- The AT91RM9200 development board itself
 - Power supply cable capable of supplying 7V to 12V at 1A (not supplied)
-
- 2.3 Powering Up the Board** DC power is supplied to the board via the 2.1 mm socket (J1). The polarity of the power supply is not critical. The minimum voltage required is 7V.
- The board has a voltage regulator providing +3.3V. The regulator allows the input voltage range to be from 7V to 12V.

2.4 Connecting the Board

- Using the RS232 cable supplied in the AT91RM9200-DK kit, connect the board to your PC via the Serial Debug Port (J23).
- Start the HyperTerminal application:  HyperTerminal
- In the window *Connection Description*, enter a name for the connection, e.g., "RM9200K_DBGU".

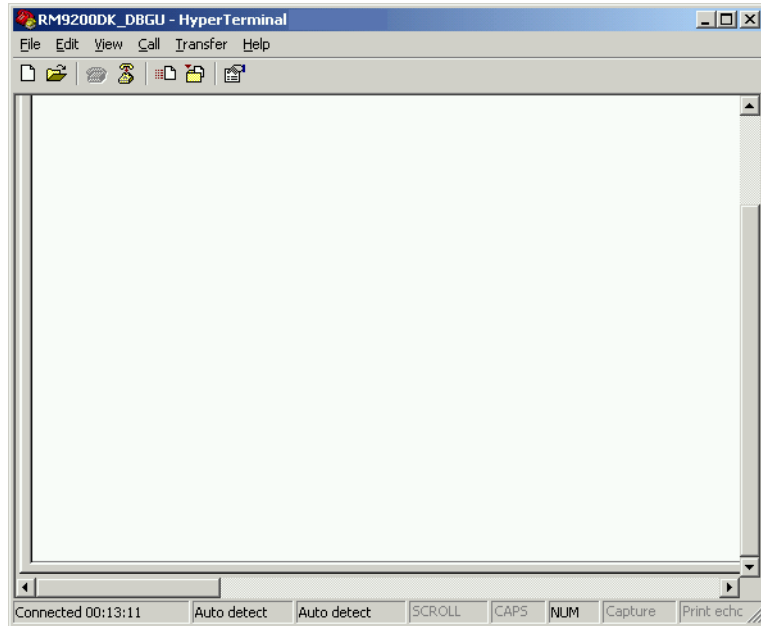


- Click on *OK*.
- In the window *Connect To*, click on the drop-down list arrow at *Connect using:*. Select the COM port used.

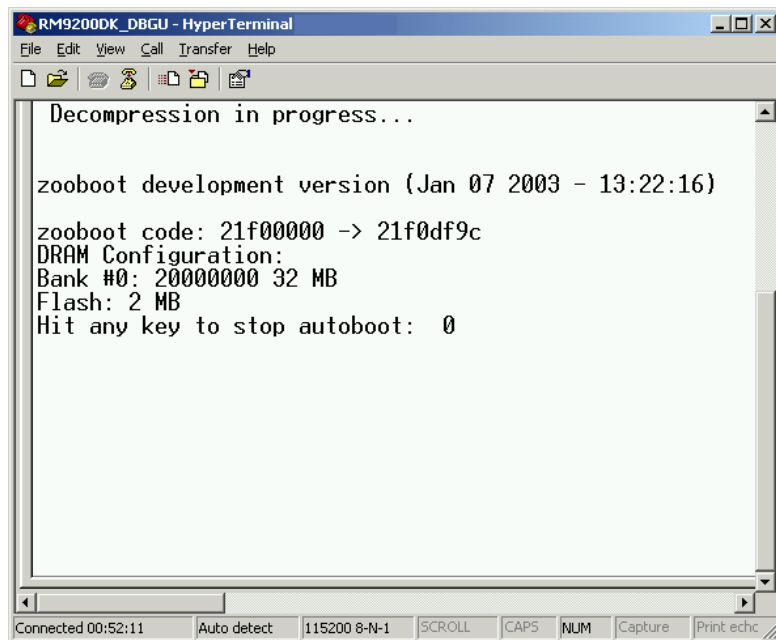


- Click on *OK*.
- Set the serial parameters of the COM port as follows:
 - Bit rate: 115 kbps
 - Data bit: 8
 - Parity: NONE
 - Stop bit: 1
 - Flux control: NONE
- Click on *OK*.

- The AT91RM9200-DK and your PC are connected, as indicated in the lower left-hand corner of the console and by the title bar.



- Press the RESET button on the board.
- A message is sent from the board to the HyperTerminal console. Note that this message can vary depending on the version of Zooboot.



2.5 Getting Started with the AT91RM9200

The AT91RM9200 Development Kit is delivered with a CD-ROM containing all necessary information and step-by-step procedures for working with the most common development toolchains. Please refer to this CD-ROM, or to the AT91 web site, <http://www.atmel.com/products/AT91/>, for the most up-to-date information on getting started with the AT91RM9200.







Section 3

Board Description

-
- 3.1 AT91RM9200 Processor**
- Incorporates the ARM920T™ ARM® Thumb® Processor
 - 200 MIPS at 180 MHz
 - 16-KByte Data Cache, 16-KByte Instruction Cache, Write Buffer
 - Memory Management Unit
 - In-circuit Emulator including Debug Communication Channel
 - Mid-level Implementation Embedded Trace Macrocell
 - Additional Embedded Memories
 - 16K Bytes of SRAM and 128K Bytes of ROM
 - External Bus Interface (EBI)
 - Supports SDRAM, Static Memory, Burst Flash, Glueless Connection to CompactFlash®, SmartMedia™ and NAND Flash
 - System Peripherals:
 - Enhanced Clock Generator and Power Management Controller
 - Two On-chip Oscillators with Two PLLs
 - Very Slow Clock Operating Mode and Software Power Optimization Capabilities
 - Four Programmable External Clock Signals
 - System Timer Including Periodic Interrupt, Watchdog and Second Counter
 - Real-time Clock with Alarm Interrupt
 - Debug Unit, Two-wire UART and Support for Debug Communication Channel
 - Advanced Interrupt Controller with 8-level Priority, Individually Maskable Vectored Interrupt Sources, Spurious Interrupt Protected
 - Seven External Interrupt Sources and One Fast Interrupt Source
 - Four 32-bit PIO Controllers with Up to 122 Programmable I/O Lines, Input Change Interrupt and Open-drain Capability on Each Line
 - 20-channel Peripheral Data Controller (DMA)
 - Ethernet MAC 10/100 Base-T
 - USB 2.0 Full Speed (12 M-bits per second) Host Double Port and Device Port

- Multimedia Card Interface (MCI)
- Three Synchronous Serial Controllers (SSC)
- Four Universal Synchronous/Asynchronous Receiver/Transmitters (USART)
- Master/Slave Serial Peripheral Interface (SPI)
- Two 3-channel, 16-bit Timer/Counters (TC)
- Two-wire Interface (TWI)
- IEEE 1149.1 JTAG Boundary Scan on All Digital Pins

3.2 Memory

- 2-Mbyte parallel Flash memory
- Four banks of 2M x 32-bit SDRAM
- 128-Kbyte EEPROM with 2-wire interface
- 8-Mbyte serial DataFlash

3.3 Memory Card

- SD Card/MMC
 - Supports MultiMedia and SD Card
 - Analog switches provide support for DataFlash Card
- Smart Media[®] Socket
- CompactFlash[®] Socket
- Smart Card Interface

3.4 Clock Circuitry and Analog Functions

- 32.768 kHz standard crystal for the AT91RM9200
- 18.432 MHz standard crystal for the AT91RM9200
- 50 MHz CMOS oscillator for the Display Controller
- Temperature sensor
- Analog-to-digital converter
- FingerChip (Socket only)

3.5 Reset Circuitry

- Reset Controller

3.6 Power Supply Circuitry

- 3.3V DC/DC converter
- 1.8V DC/DC converter

-
- 3.7 Remote Communication**
- Fast Ethernet Physical Layer Single Chip Transceiver
 - IrDA Transceiver
 - Host Interface via RS-232 DB9 male socket
 - Line interface
 - Debug Port via RS-232 DB9 connector
 - Host and Device USB socket
-
- 3.8 User Interface**
- Graphic Display Controller
 - TFT/SNT panel socket
 - 15-pin standard socket for an external VGA monitor
 - On-board buzzer and one LED managed via general PIO lines
-
- 3.9 Expansion Slots**
- Three expansion slots give access to all the microcontroller's signals
-
- 3.10 Debug Interface**
- 38-pin trace Port socket
 - 20-pin JTAG interface connector
 - Serial Debug Unit



Section 4

Configuration Straps

4.1 Configuration Straps and Jumper Settings

Table 4-1 gives details on configuration straps and jumper settings on the AT91RM9200 development board and their default settings.

Table 4-1. Configuration Straps and Jumper Settings

Designation	Default Setting	Feature
S1	Closed	The earth plane and the GDN potential are connected.
S3	Closed	The ETM reset (NSRST) and the System Reset (NRST) are connected.
S4	Closed	The PD6/DTXD PIO line is connected to the READY/NBUSY output signal of the SPI DataFlash (MN13).
S5	Opened	The Write Protect feature of the SPI DataFlash (MN13) is disabled.
S6	Closed	The PA26/ TWCK /IRQ1 signal is connected to three remote devices (MN14, MN33, MN34).
S7	Closed	The PA25/ TWD /IRQ2 signal is connected to three remote devices (MN14, MN33, MN34).
S8	Opened	The PA3/ NPCS0 /IRQ5 output signal is not connected to the NCS of the serial DataFlash (MN13).
S9	Closed	The PA5/ NPCS2 /TXD3 signal is connected to the 10-bit SPI ADC (MN15).
S10	Closed	The PC15 I/O line is connected to the 10-bit ADC to read the End Of Conversion event (MN15).
S11	Closed	Not Used: The PS2 Controller is not installed.
S12	Closed	Not Used: The PS2 Controller is not installed.
S13	Closed	The PB12/ TF2 /ETX2 signal is connected to the NRGDT/FSD output signal of the Line Interface (MN23).
S14	Closed	The PB16/ RK2 /ERX2 signal is connected to the NOFHK input signal of the Line Interface (MN23).
S15	Closed	The PB17/ RF2 /ERXDV signal is connected to the NFSYN input signal of the Line Interface (MN23).

Table 4-1. Configuration Straps and Jumper Settings

Designation	Default Setting	Feature
S16	Closed	The PB13/ TK2 /ETX3 signal is connected to the SCLK output signal of the Line Interface (MN23).
S17	Closed	The PB15/ RD2 /ERX2 signal is connected to the SDO output signal of the Line Interface (MN23).
S18	Closed	Not Used: The Front End AC97 is not installed.
S19	Closed	The PA30/ DRXD /CTS2 signal is connected to the receive buffer output of the DBGU transceiver (MN26).
S20	Closed	The AT91RM9200's PC14 PIO line is connected to the NREADY output signal of the Smart Card Interface (MN29).
S21	Closed	The PA17/TXD0/TIOA0 is connected to the DATA input/output signal of the Smart Card Interface (MN29).
S22	Closed	The PA22/ RXD2 /TIOB2 is connected to the RX output signal of the IrDA Transceiver (MN30).
S23	Closed	Enables all output signals (DCD1, DSR1, RXD1, CTS1, RI1) of the Transceiver (MN28) used for the RS232 Port COM.
S24	Closed	The PD4 /ETXEN input line is connected to the USB device socket (J28) to detect a host connection.
S25	Closed	The System Reset signal (NRST) is connected to the ICE/JTAG socket (J8, pin 15).
S26	Closed	The NCS2 output signal is connected to the display controller (MN32).
S27	Closed	The NCS0 output signal is connected to the parallel Flash memory (MN21).
S28	Closed	Enables the OE signal from the Atmel FingerChip (MN31). Only the socket is installed.
S29	Closed	The SMCS /NCS3 output signal is connected to the bidirectional buffer used by the Smart Media Connector (MN20B).
S30	Closed	The PA15/ EMDC /TCLK2 output signal is connected to the MDC input signal of the Ethernet Transceiver (MN22).
S31	Closed	The PA16/ EMDIO /IRQ6 input/output signal is connected to the MDIO input/output signal of the Ethernet Transceiver (MN22).
S32	Closed	Disables the power-down mode of the Ethernet Transceiver (MN22).
S33	Closed	Not Used: The Front End AC97 is not installed.
S34	Closed	Not Used: The Front End AC97 is not installed.
S35	Closed	Not Used: The Front End AC97 is not installed.
S36	Closed	Connects the system ground to the Ethernet ground.
S37	Closed	Not Used: The Front End AC97 is not installed.

Table 4-1. Configuration Straps and Jumper Settings

Designation	Default Setting	Feature
S38	Opened	The AT91RM9200 boots up from the parallel Flash Memory.
S39	Closed	Enables the use of the User LED (DS5).
S40	Closed	Not Used: The Buzzer is not installed.

Note: Shaded cells indicate configuration straps/jumpers with open connections.

Note: Signal names in bold indicate that the function is shared between several signals.



Section 5

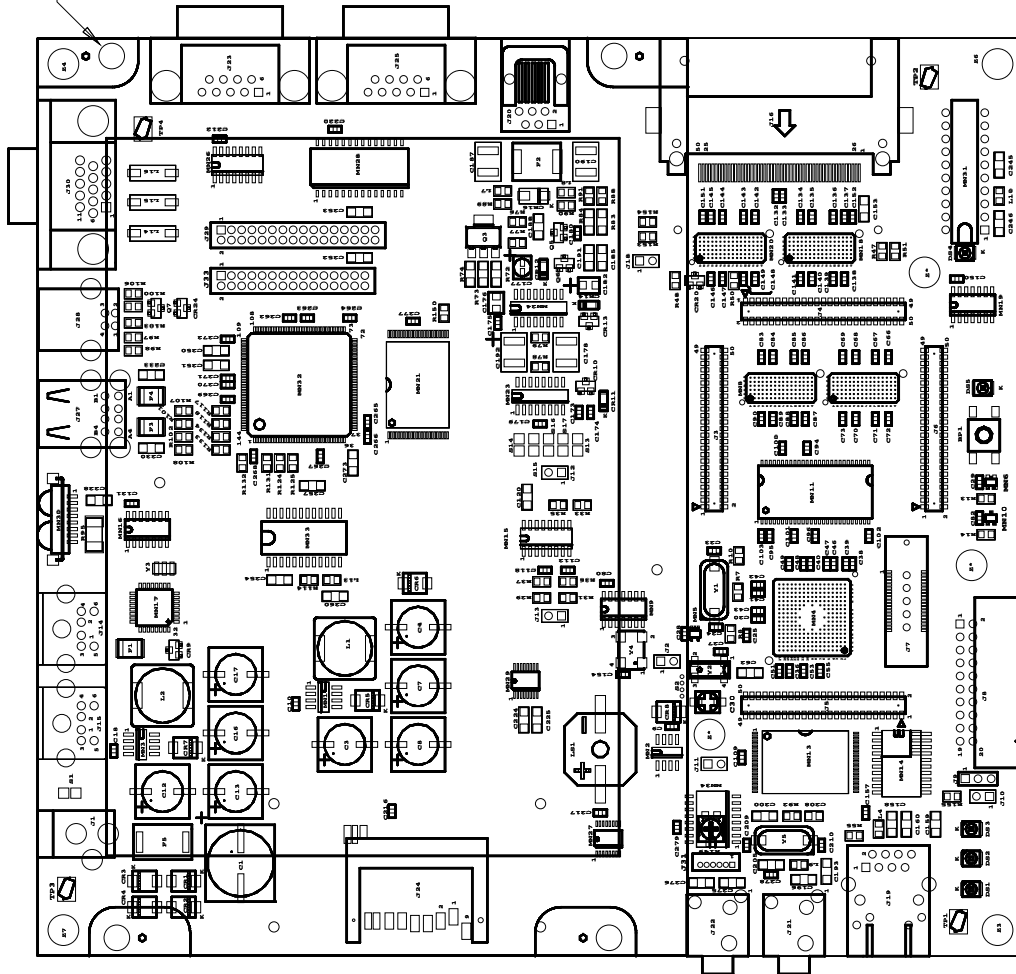
Schematics

5.1 Schematics

This section contains the following schematics:

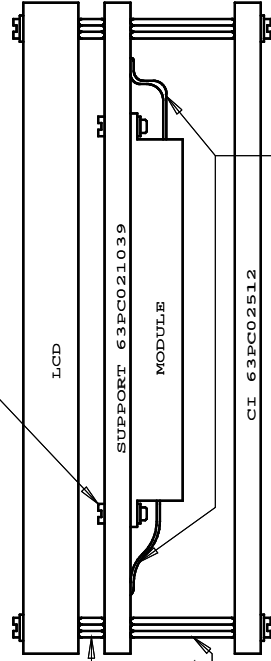
- AT91RM9200 Board Layout - Top View
- AT91RM9200 Board Layout - Bottom View
- Power Supply
- AT91RM9200 Chip
- Buffers
- SDRAM and Flash
- Serial Devices
- PS2 COM Ports
- 3V3 Memory Card
- Ethernet
- DAA
- AC97 Analog Front End
- Serial Interfaces
- Fingerchip
- VGA TFT/CRT Display

VUE FACE ELEMENTS



MONTAGE DU LCD
SUR SUPPORT 63PC021039 VOIR DETAIL

- 2 VIS CM 2,5X8 INOX A2
- 2 RONDELLES ONDUFLER DIA.2,5
- 2 ECROUS IM2,5 INOX A2



4 ENTRETOISES M/F HERA
M2,5X10 INOX A2

4 ENTRETOISES F/F HERA
M2,5X25 INOX A2

- 8 VIS CM 2,5X10 INOX A2
- 8 RONDELLES ONDUFLER DIA.2,5

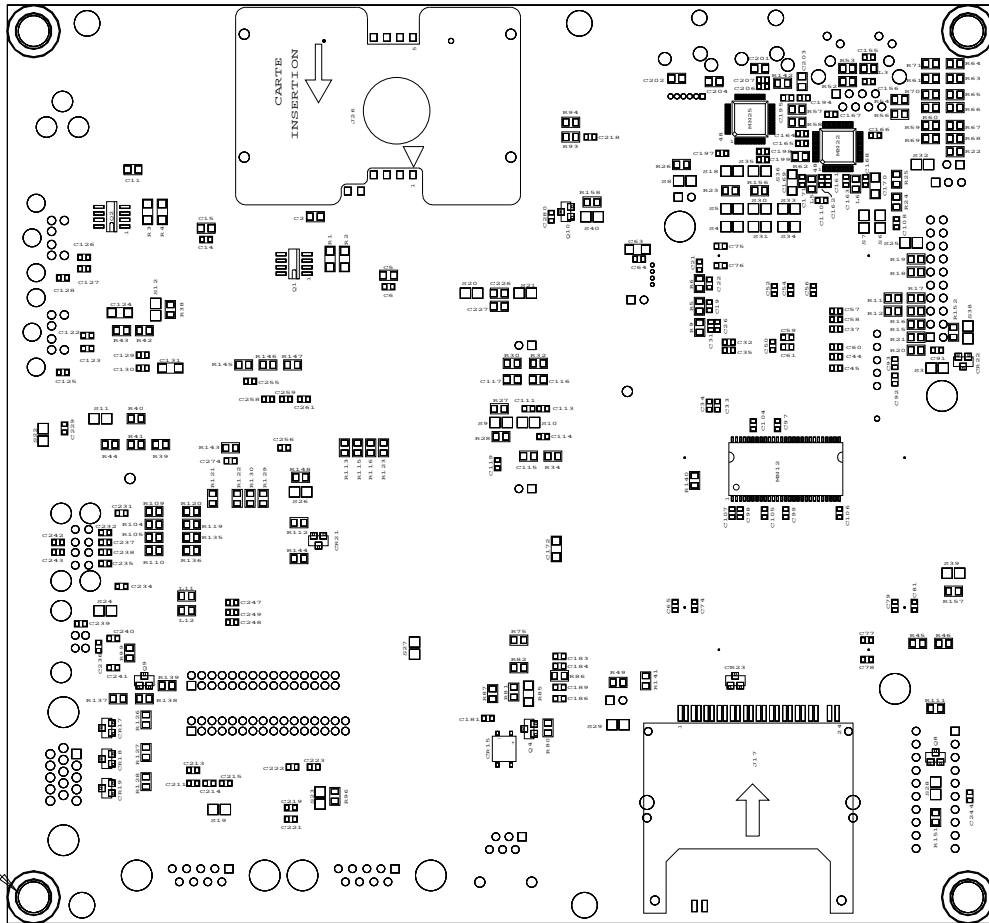
FILS SORTIES CONNECTEURS A PRETTER

NOTA : COMPOSANTS A MONTER SELON NOMENCLATURE

WWW . STUDIEL . fr		06271		VILLENEUVE-LOUBET		TEL 04 92 02 45 45 FAX 04 92 02 45 46	
ATMEL		EDIT ORIG		CCK		04/06/02	
CARTE AT91RM9200-DK		INE MODIF		DESS .		DATE	
PLAN D'EQUIPEMENT		SCHELLES: 1		CL TYPE		VERIF	
		IND		NUMERO		PAGE	
		63 PE		020513A		1/2	

CE DOCUMENT EST NOTRE PROPRIETE TOUTE REPRODUCTION OU EXPANSION SANS NOTRE AUTORISATION ECRIE ENCORE LA CONTINUATION A DES REPARER

VUE FACE SOUDURES



NOTA : COMPOSANTS A MONTER SELON NOMENCLATURE

WWW.STUDIEL.FI									
06271 VILLENEUVE-LOUBET									
TEL 04 92 02 45 45 FAX 04 92 02 45 46									
ATMEL		A		EDIT ORIG		CCX		04/06/02	
		IND		MODIF		DESS		DATE	
CARTE AT91RM200-DK		RECHELLE:		1		CL		TYPE	
PLAN D'EQUIPEMENT		IND		NUMERO		VERIF		PAGE	
		-		+		63 PE		02 05 13 A	
								2 / 2	
								3	

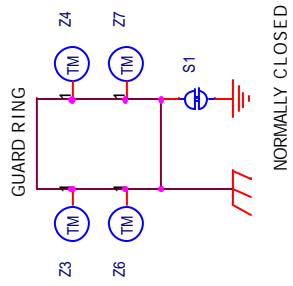
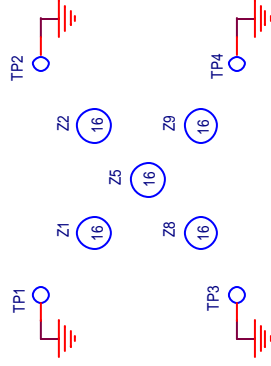
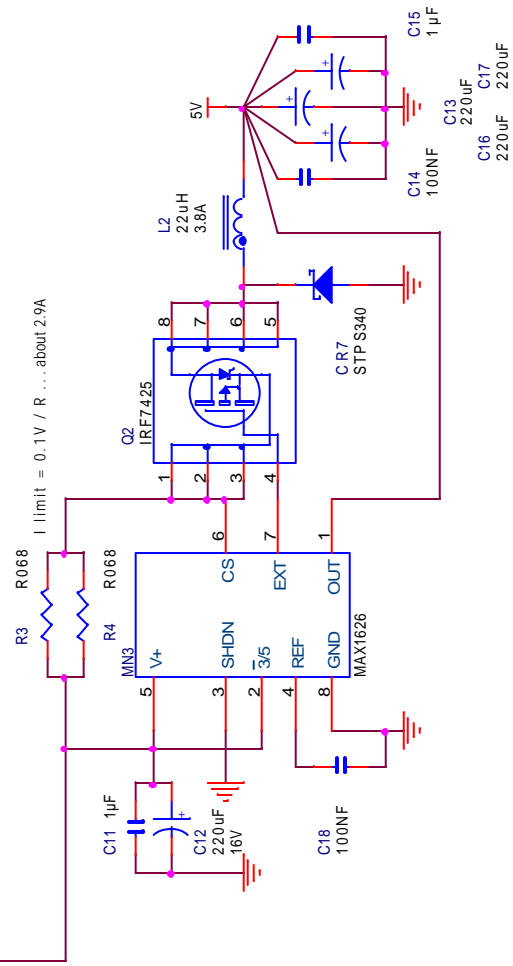
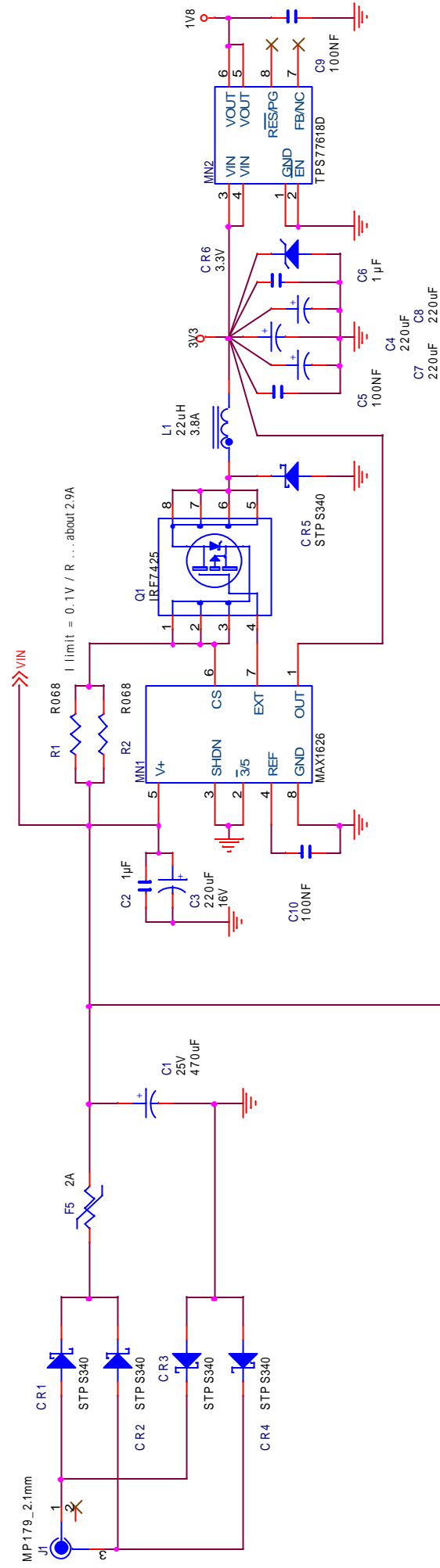
Ce document est notre propriété toute diffusion ou reproduction sans notre autorisation écrite expose le contrevenant à des poursuites

1 2 3 4 5 6 7 8

D C B A D A

1 2 7 8

12V TO 14V DC INPUT



STUDEIEL
1027 AV DU GOCHEBOIT LEFFEBVRE
06271 VILLENEUVE LOUBRET
TEL 04 92 02 45 45 Fax 04 92 02 45 46

ATMEL
POWER SUPPLY
AT91RM9200-DK

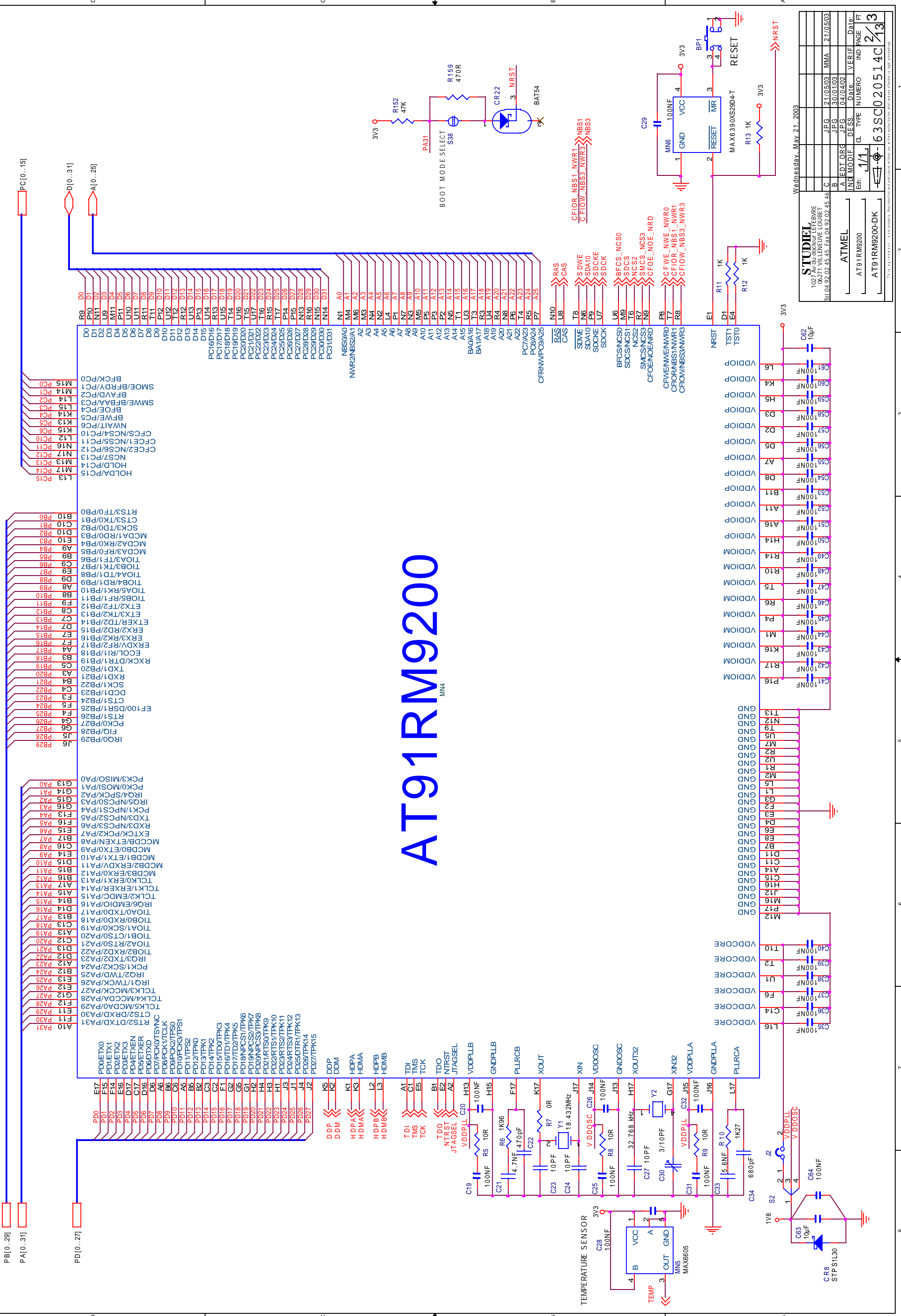
Wednesday, May 21, 2003

CL	TYPE	NUMERO	IND	PAGE	FT
1/1		63SC020514C		1	3

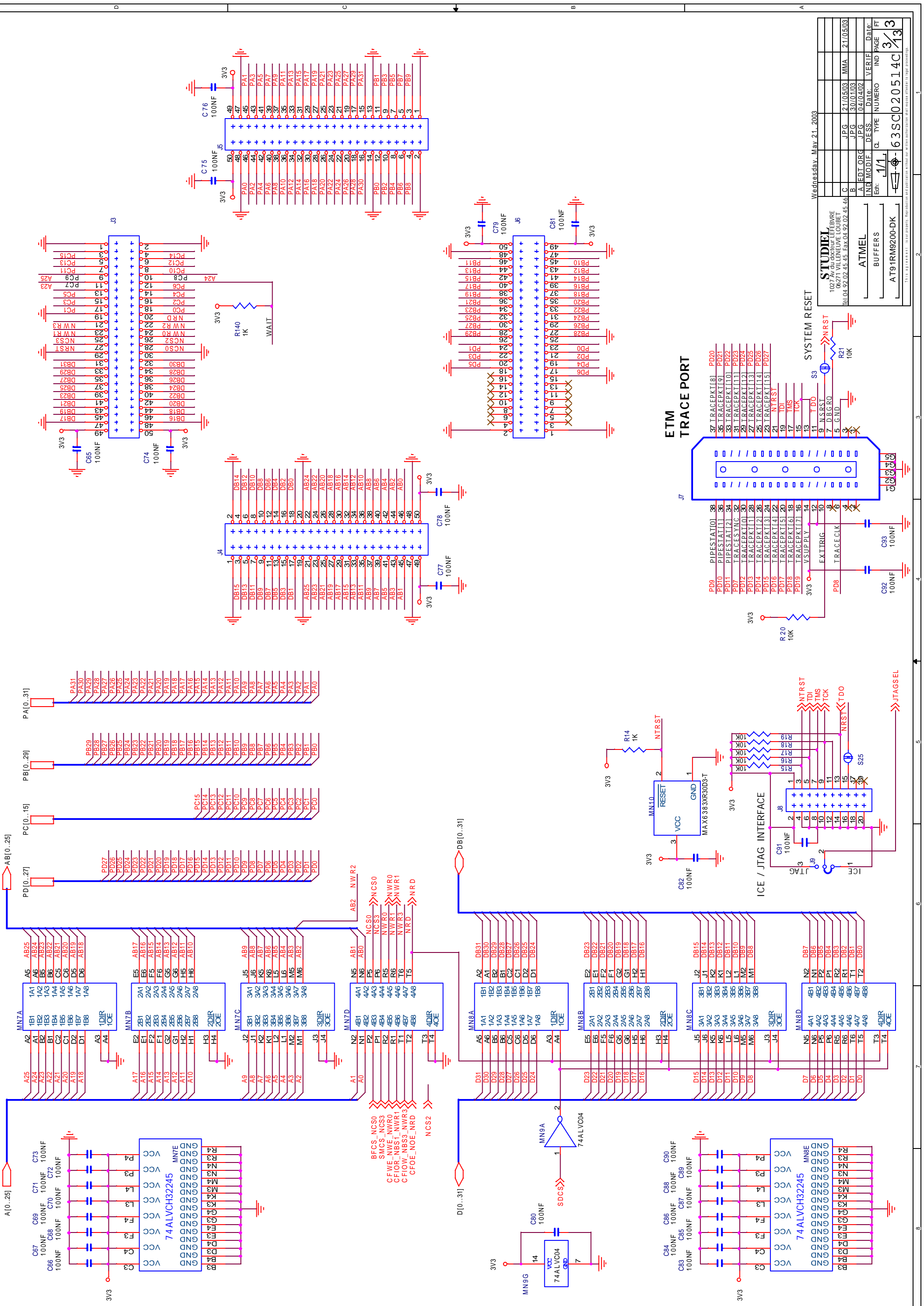
21/05/03 MMA 21/05/03
30/01/03
04/04/02
Date: VERIF
Date: VERIF

AT91RM9200

MIN4



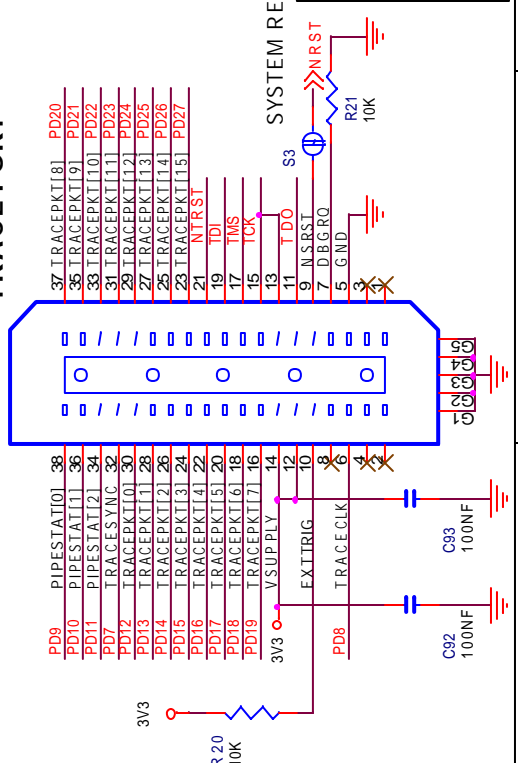
STUDEIL				
1027 Av du GOCHEBUT LEFFEVRE				
06271 VILLENEUVE LOURET				
TEL:04.92.02.45.45 Fax:04.92.02.45.46				
Wednesday, May 21, 2003				
A	JPG	21/05/03	MMA	21/05/03
B	JPG	30/01/03		
C	JPG	04/04/02		
A: EDITION		Date:		VERIF.
IND. MODIF.		DESS.		IND. PAGE
Ech: 1/1		CL. TYPE		NUMERO
ATMEL		AT91RM9200		IND. PAGE
AT91RM9200-DK		63SC020514C		FT
		2/3		



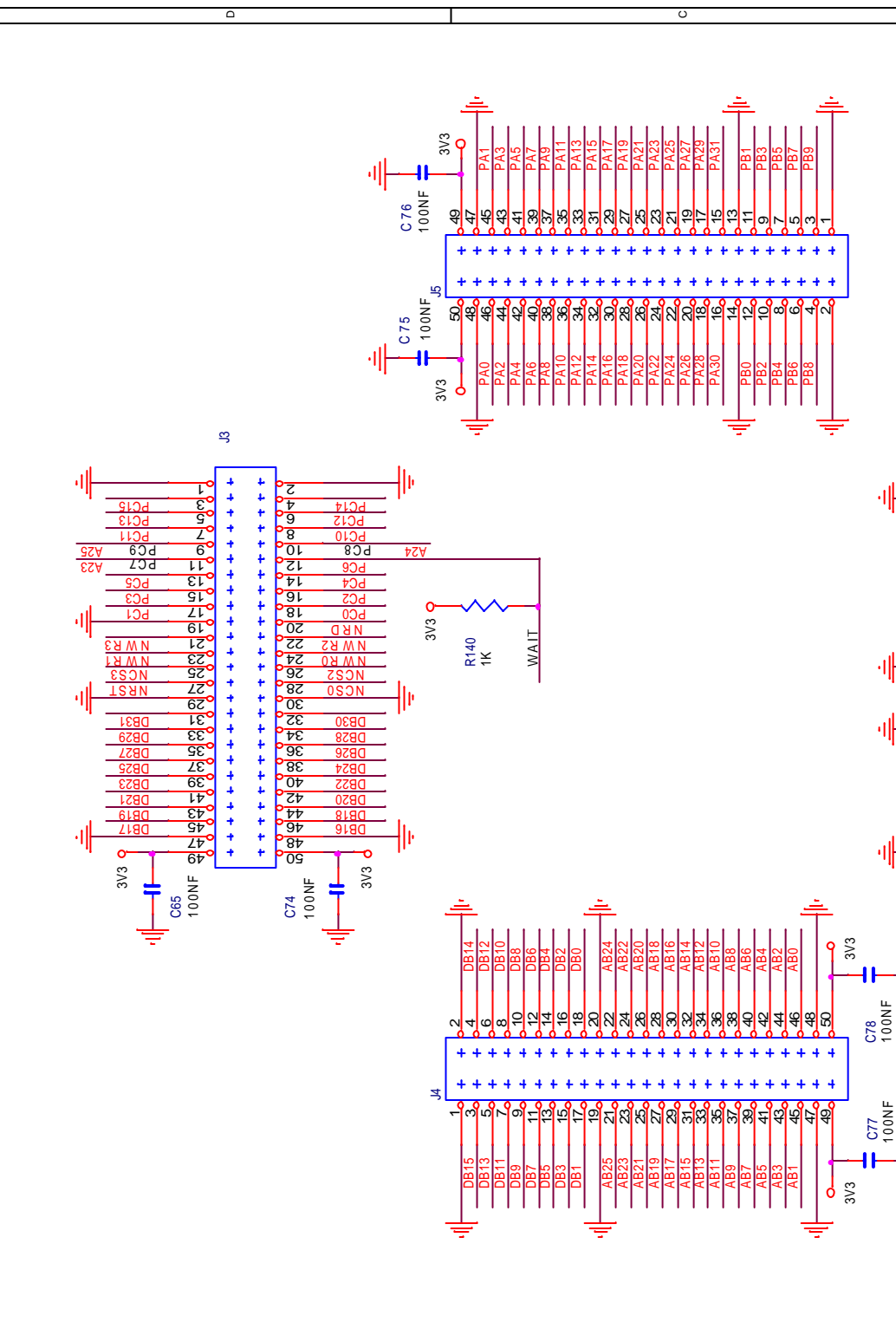
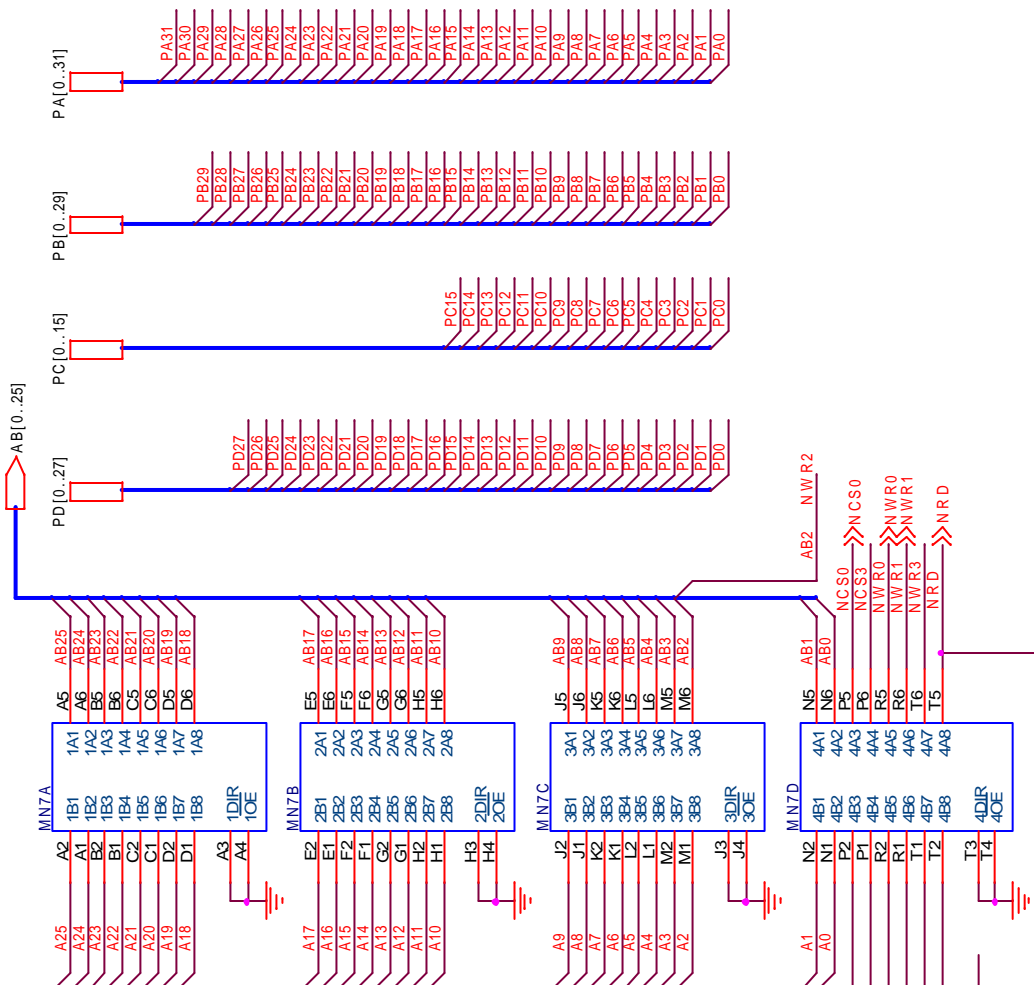
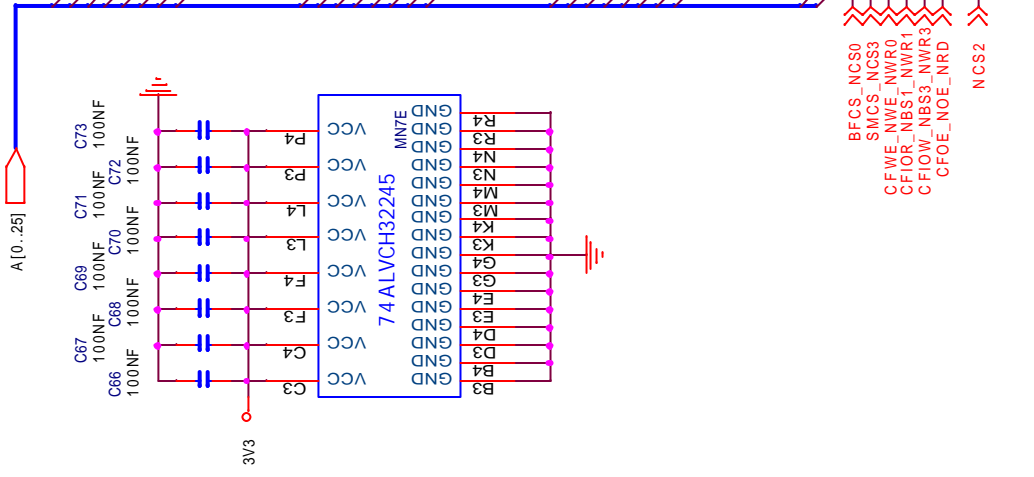
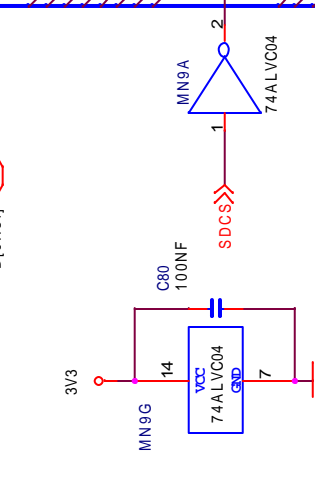
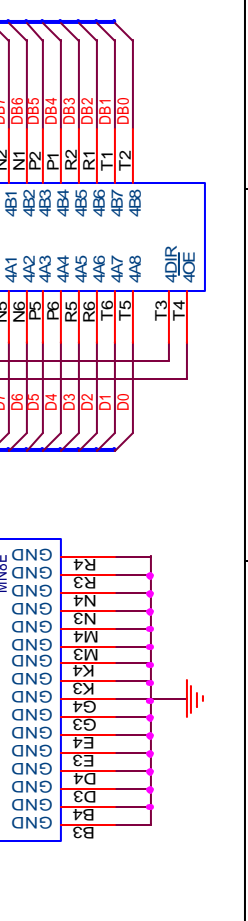
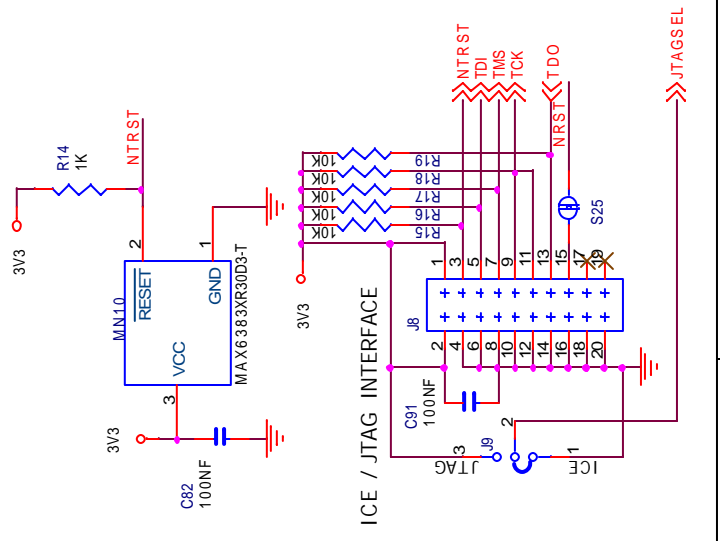
Wednesday, May 21, 2003

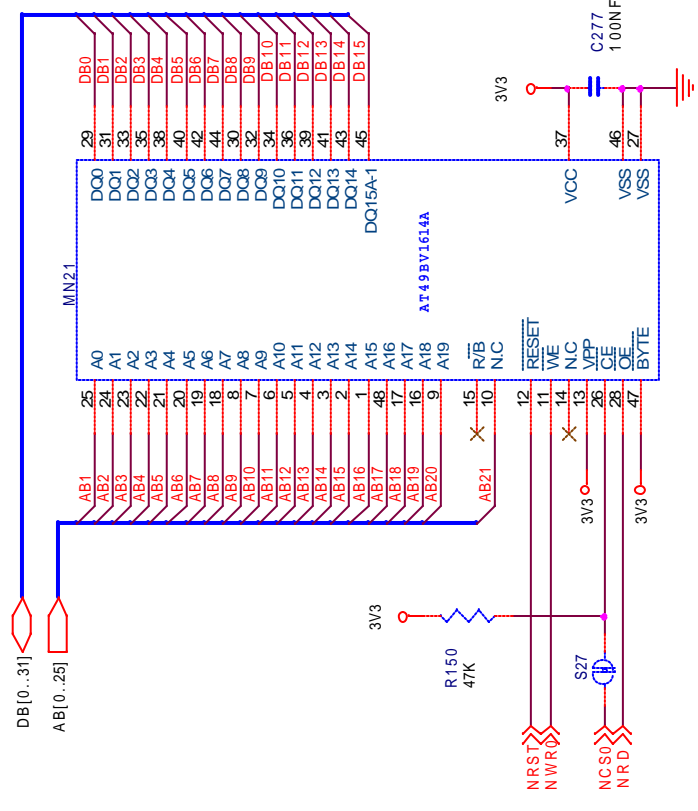
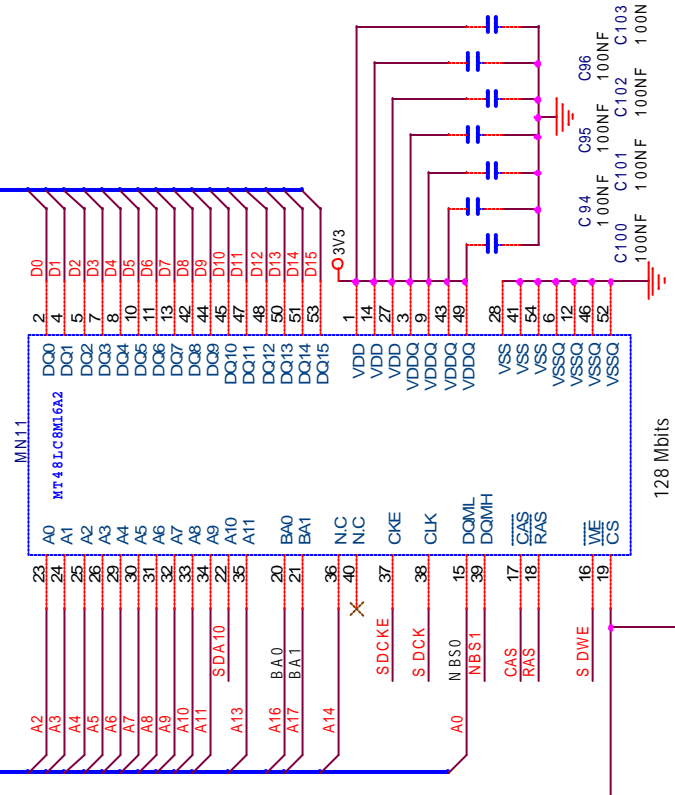
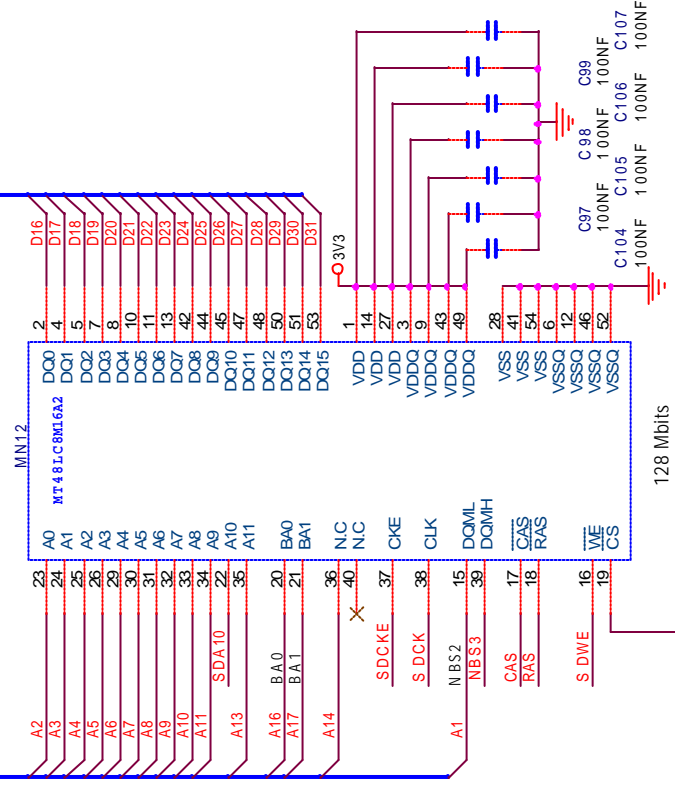
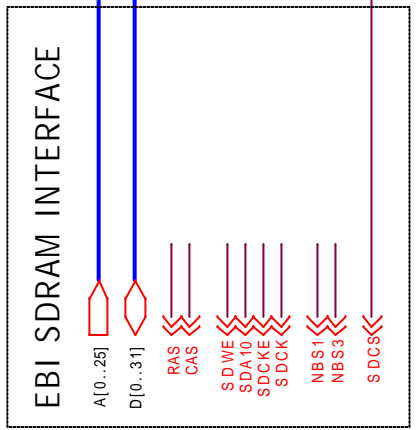
STUDEIL	JPG	21/05/03	MMA	21/05/03
1027 Av du GOCOURT LEFFEBVRE	A_EDIT_ORG	JPG	30/04/02	
06271 VILLENEUVE LOUBET	IND_MODIF	DESS	04/04/02	
Tel: 04.92.02.45.45 Fax: 04.92.02.45.46	CL	TYPE	NUMERO	IND PAGE
	1/1			FT
ATMEL		BUFFERS		AT91RM9200-DK
63SC020514C				
3/3				

ETM TRACE PORT



ICE / JTAG INTERFACE



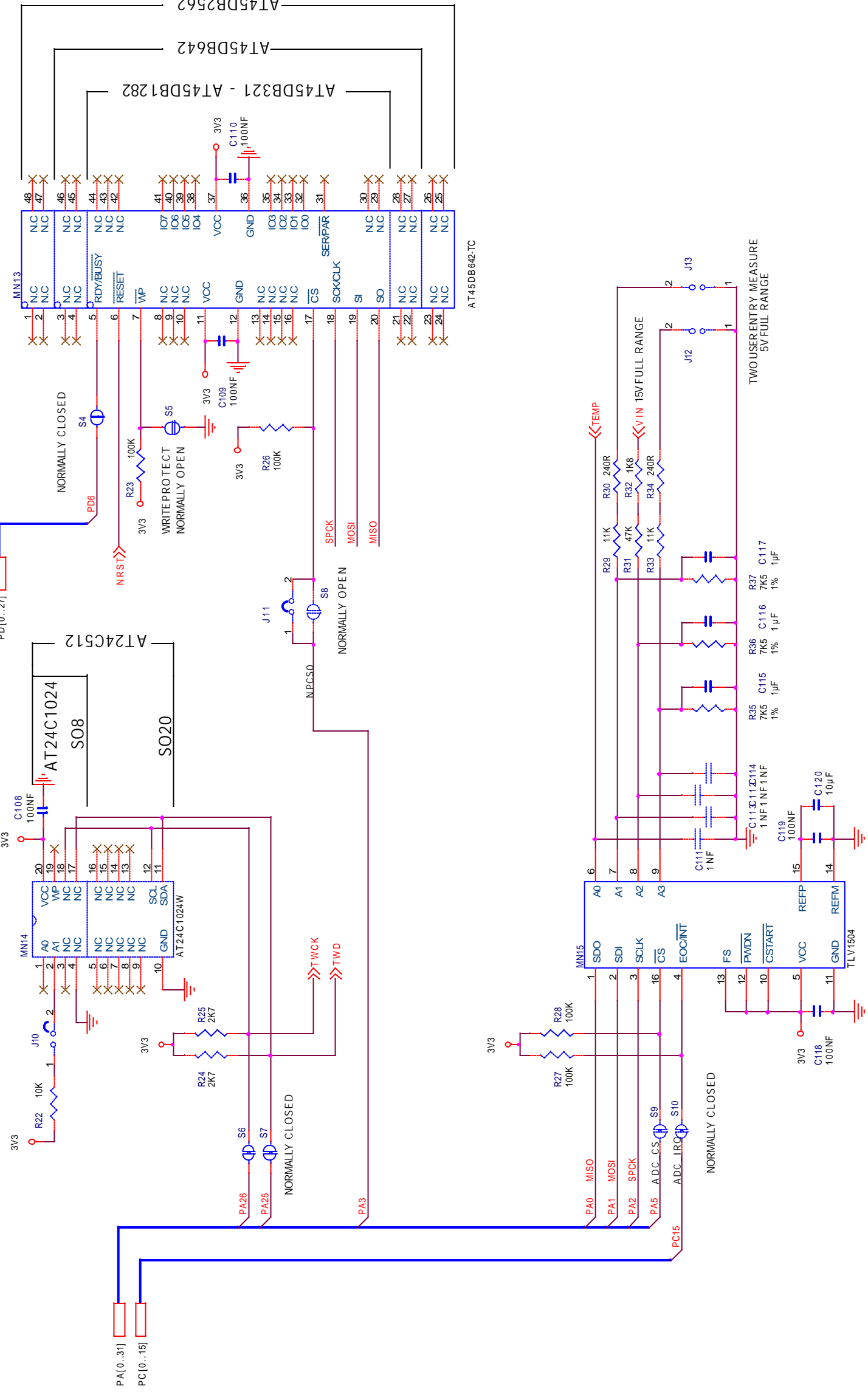


Wednesday, May 21, 2003

STUDEI
1027 Avenue de la République
06271 VILLENEUVE LOUBRET

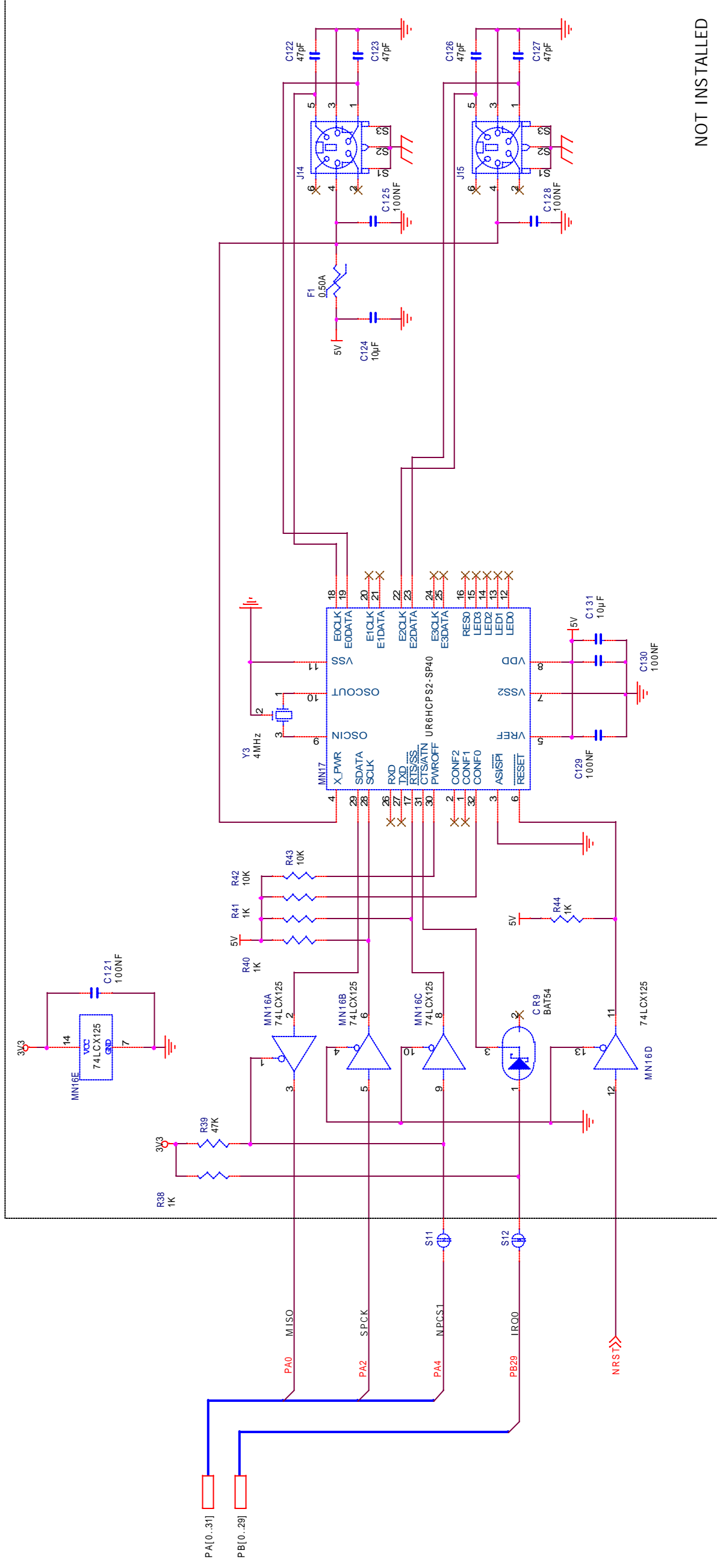
C	JPG	21/05/03	MMA	21/05/03
B	JPG	30/01/03		
A	JPG	04/04/02		
IND MODIF.	DESS.	Date:	VERIF	Date:
Ech:	1/1	CL TYPE NUMERO	IND PAGE	IFT
				4/3
				63SC020514C
				AT91RM9200-DK

TOUT EST BIEN EN ORDRE



Wednesday, May 21, 2003

STUDEI		1027 AV DU GOÛRNET LEFFEBVRE		21/05/03		MMA		21/05/03	
06271 VILLENEUVE LOUBET		06/04/02 02:45:45		Fax: 04 92 02 45 46		C		JPG	
ATMEL		A		EDT_ORG		JPG		30/01/03	
SERIAL DEVICES		IND MODIF		DESS		Date:		04/04/02	
AT91RM9200-DK		Ech:		1/1		CL TYPE		NUMERO	
								IND	
								PAGE	
								FT	
								5/3	
								63SC020514C	



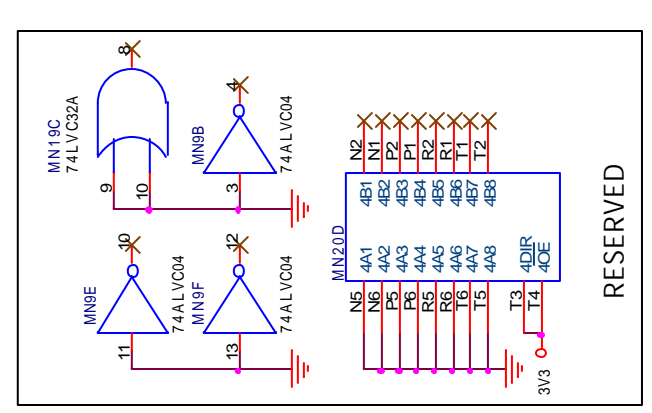
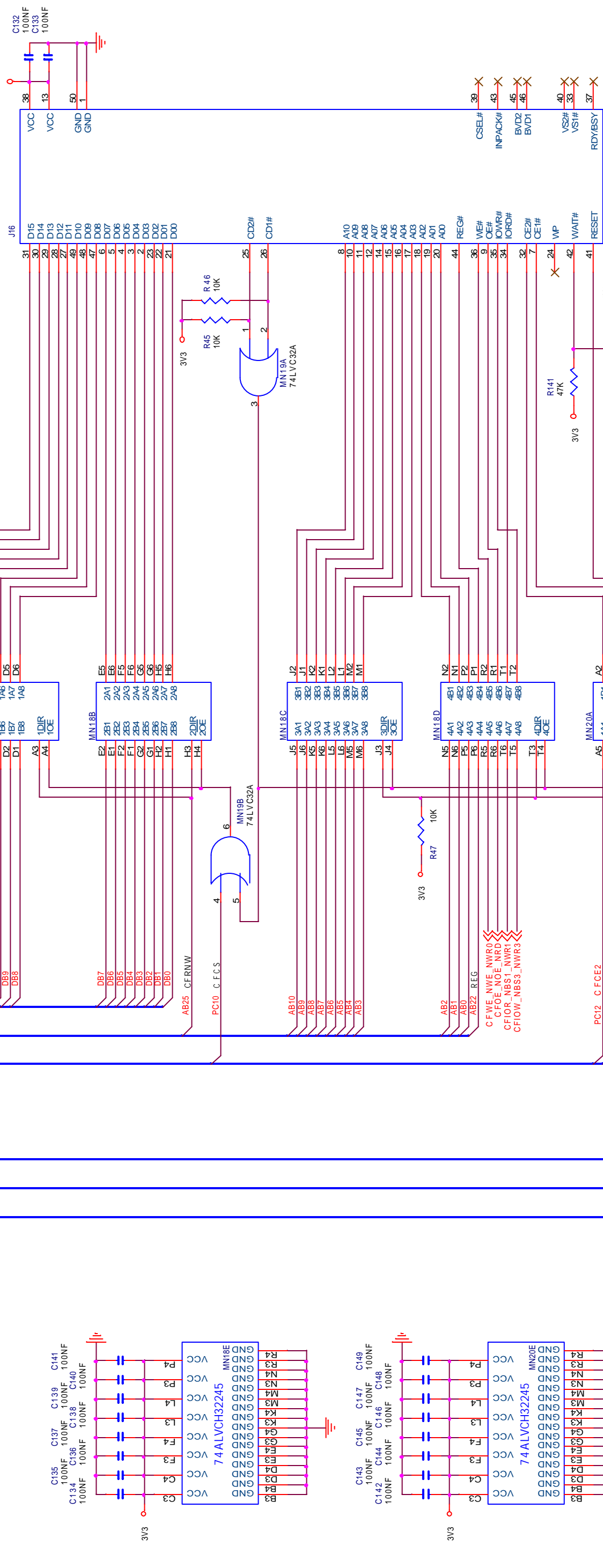
NOT INSTALLED

Wednesday, May 21, 2003

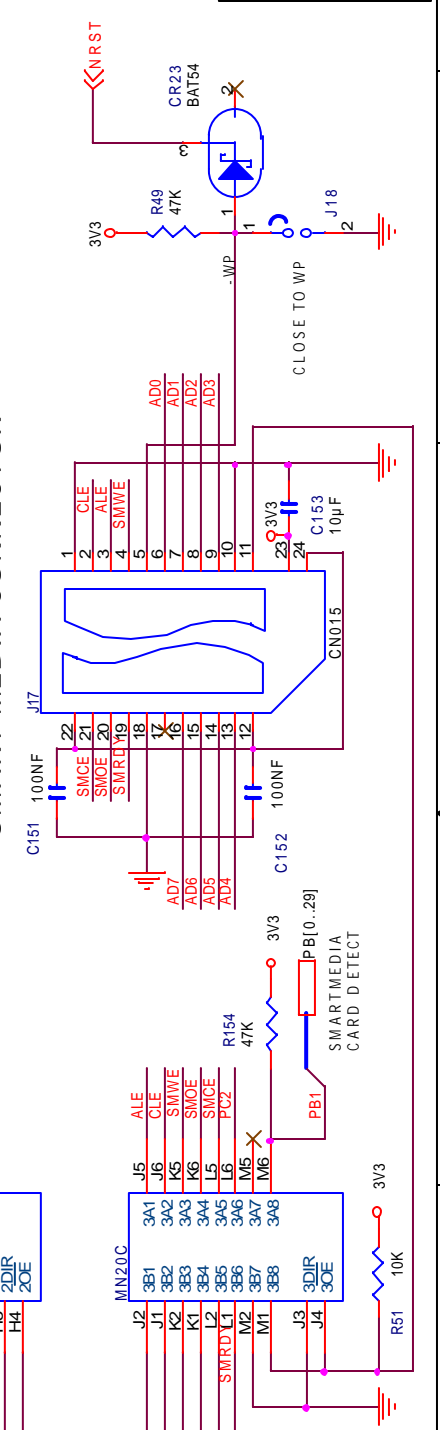
STUDEL		1027 Av du docteur LÉFÈBVRE		21/05/03	
06271 VILLENEUVE LOUBET		JPG		MMA	
TEL:04.92.02.45.45 Fax:04.92.02.45.46		JPG		30/01/03	
ATMEL		JPG		04/04/02	
PS2 COM PORTS		DESS		Date:	
AT91RM9200-DK		CL		TYPE	
Ech: 1/1		NUMERO		IND	
63SC020514C		PAGE		FT	
6/3		IND		PAGE	
6/3		IND		PAGE	

COMPACT FLASH CONNECTOR

3V3

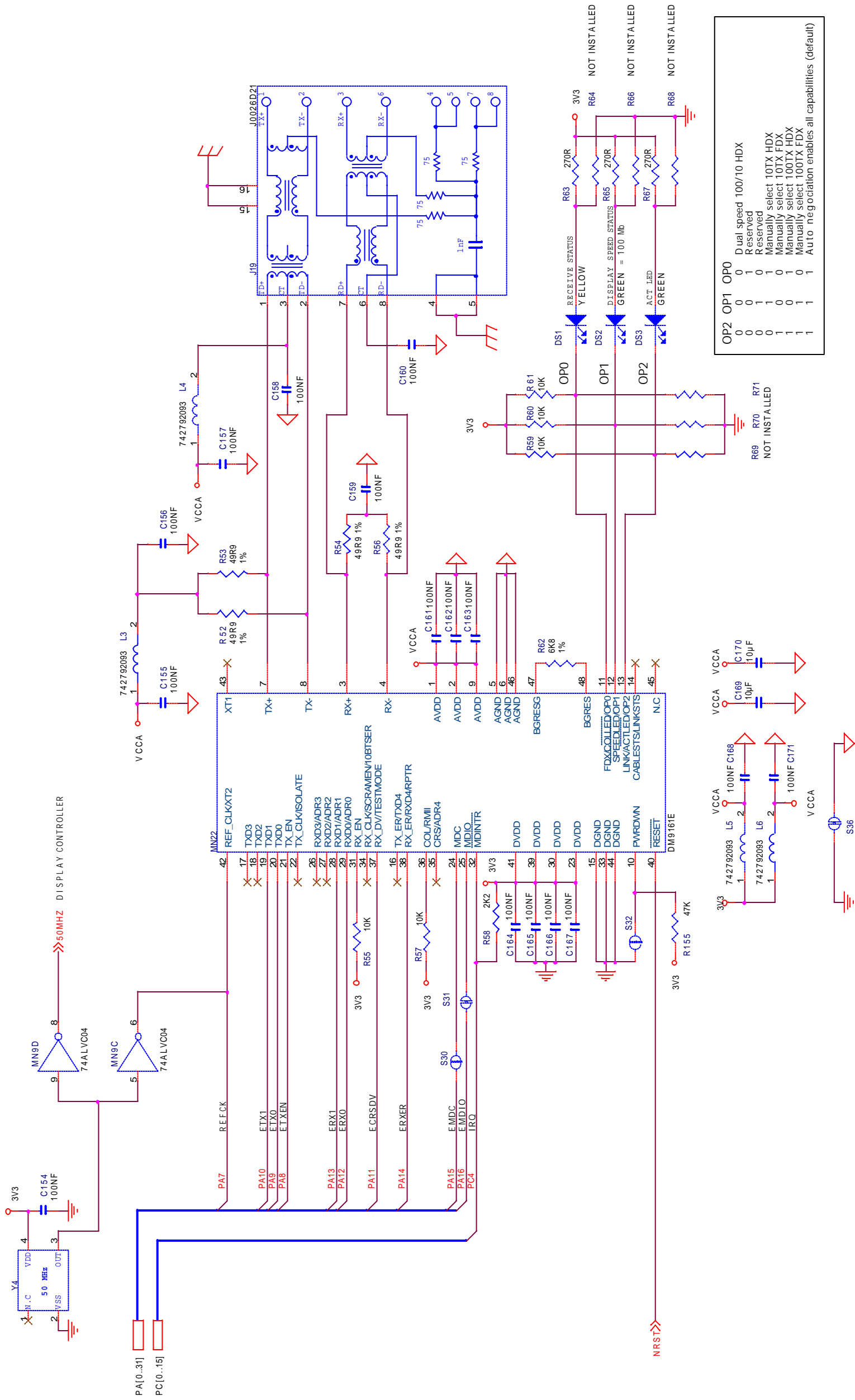


SMART MEDIA CONNECTOR



Wednesday, May 21, 2003

STUDEI	JPG	21/05/03	MMA	21/05/03
1027 AV DU GOCHEUR LEFFEVRE	A	EDT_ORG	JPG	30/01/03
06271 VILLENEUVE LOURET	B	MODIF	JPG	04/04/02
TEL:04.92.02.45.45 Fax:04.92.02.45.46	C	IND	CL	TYPE
ATMEL	1/1	CL	TYPE	NUMERO
3V3 MEMORY CARD		IND	DATE	FT
AT91RM9200-DK				
63SC020514C				
7/3				

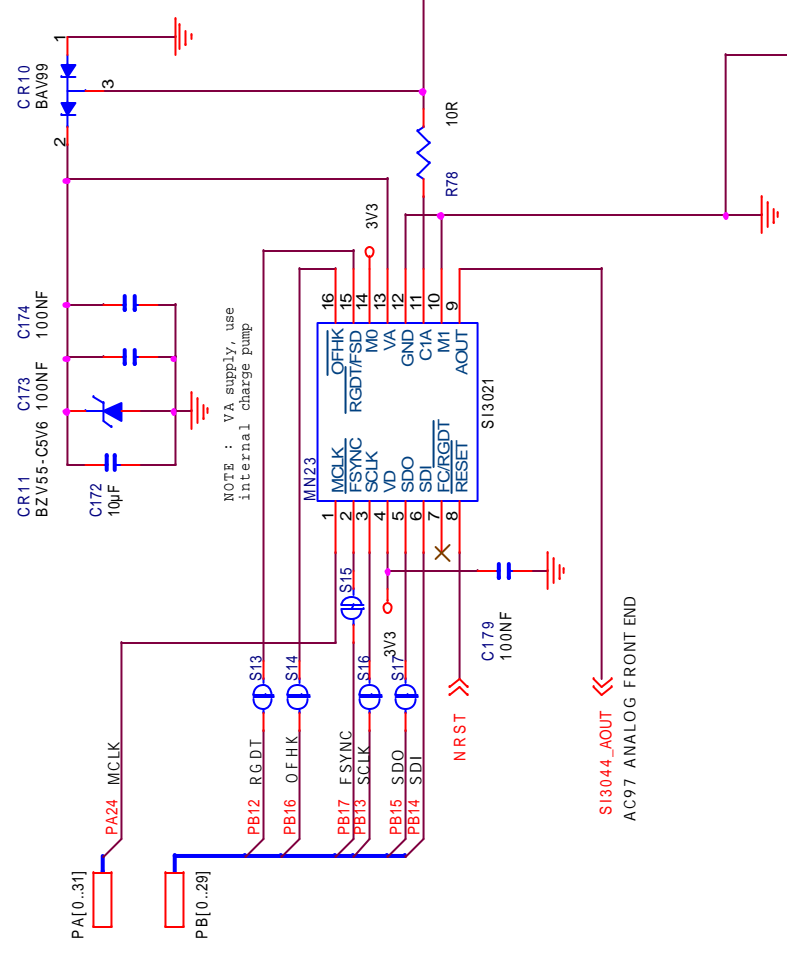


OP2	OP1	OP0
0	0	0
0	0	0
0	1	1
0	1	1
1	0	0
1	0	0
1	1	1
1	1	1

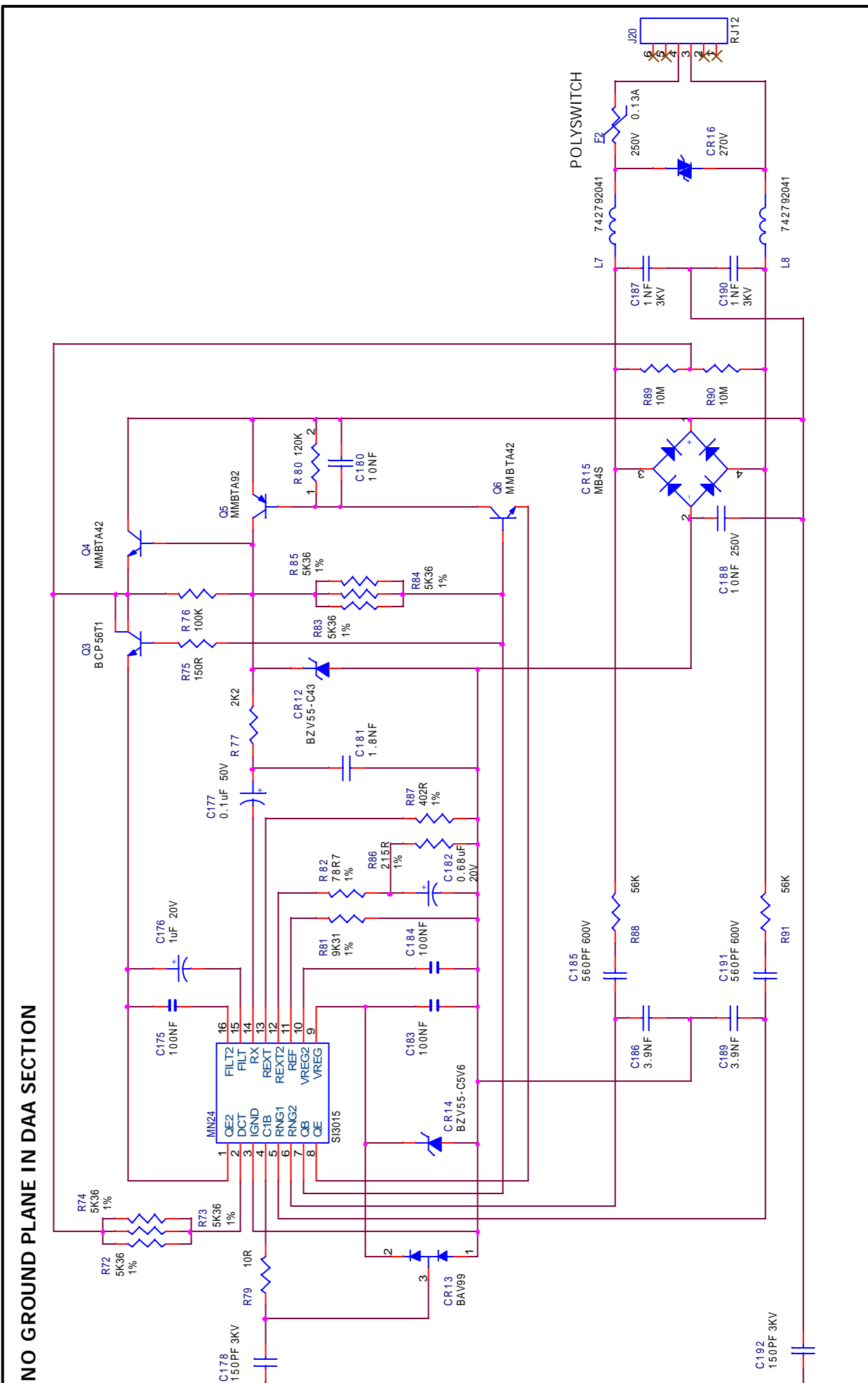
Dual Speed 100/10 HDX
 Reserved
 Reserved
 Manually select 10TX HDX
 Manually select 10TX FDH
 Manually select 100TX HDX
 Manually select 100TX FDH
 Auto negotiation enables all capabilities (default)

Wednesday, May 21, 2003

STUDEL	
1027 AV DU GOUBERT LEFEBVRE	
06271 VILLENEUVE LOUBET	
Tel:04.92.02.45.45 Fax:04.92.02.45.46	
C	JPG 21/05/03 MMA 21/05/03
B	JPG 30/01/03
A	JPG 04/04/02
IND. MODIF.	DESS. Date:
CL. TYPE	NUMERO
IND. PAGE	FT
Ech: 1/1	
63SC020514C	
8/3	

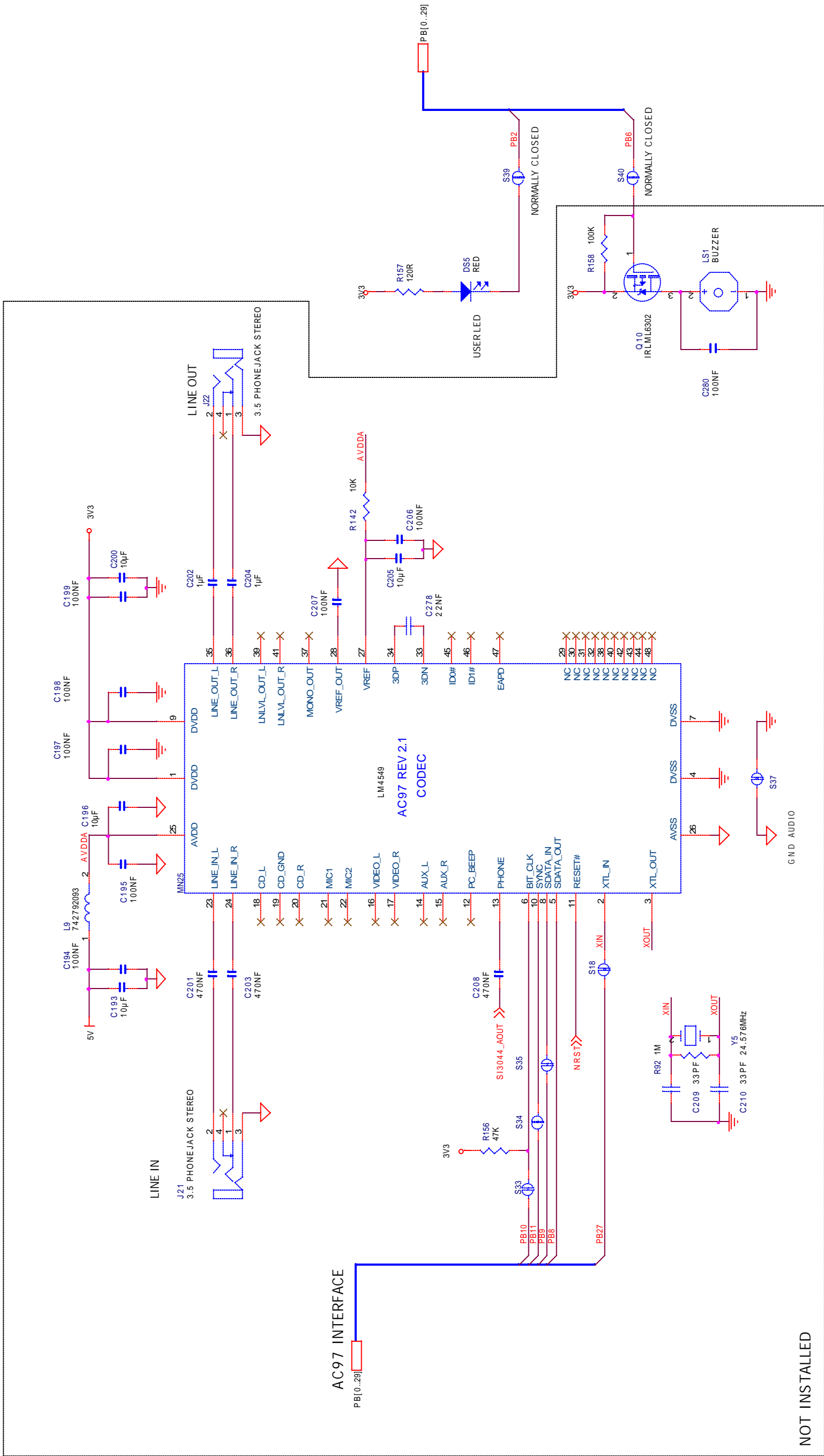


NO GROUND PLANE IN DAA SECTION



Wednesday, May 21, 2003

STUDEI		1027 AV DU GOCOURT LEFFEBVRE		21/05/03		MMA		21/05/03	
06271 VILLENEUVE LOUBRET		04.02.45.45		Fax: 04.92.02.45.46		JPG		30/01/03	
ATMEL		DAA		1/1		IND. MODIF.		VERIF.	
AT91RM9200-DK		63SC020514C		9/3		CL. TYPE		NUMERO	
Ech:		IND		PAGE		FT		FT	



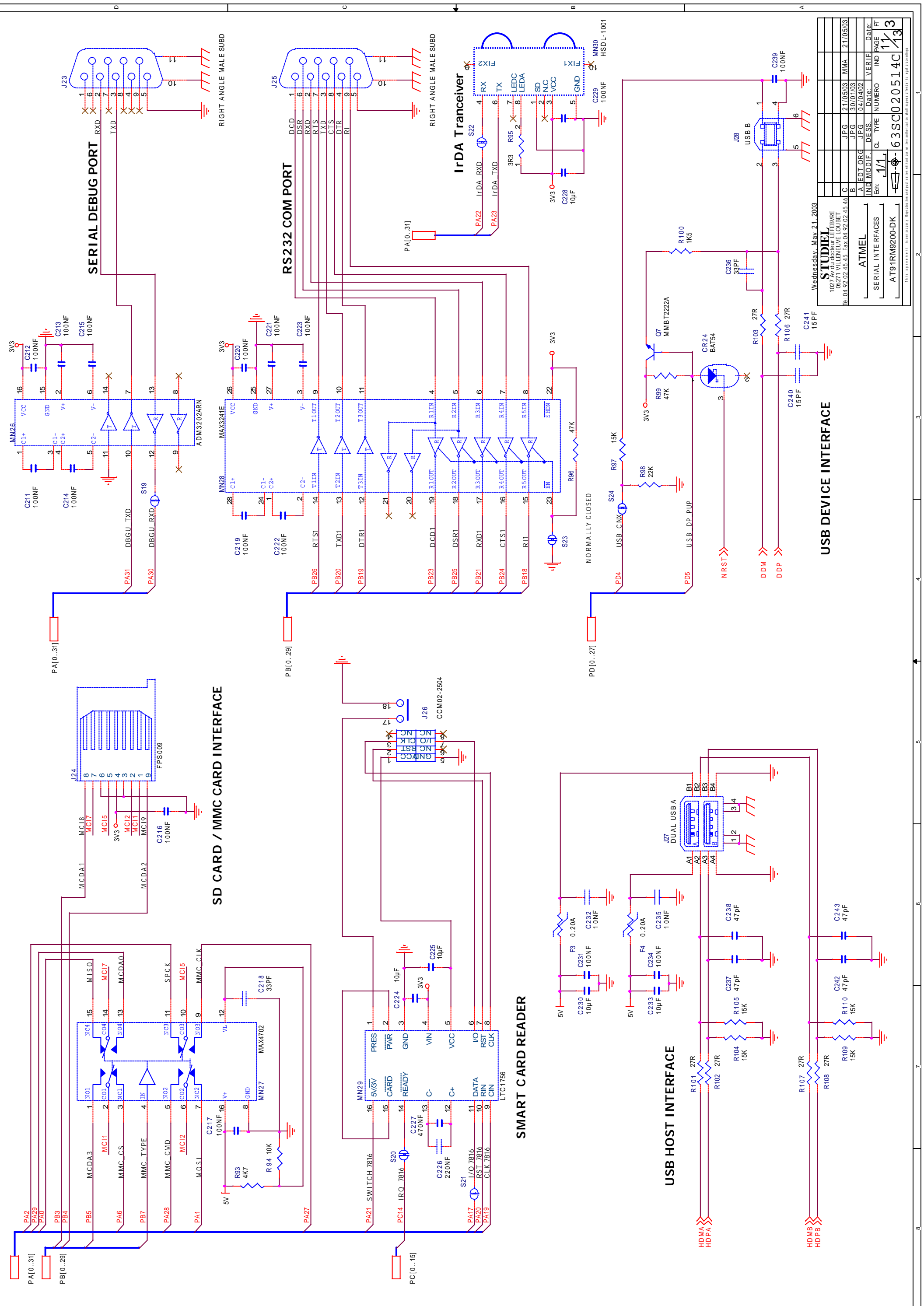
AC97 INTERFACE

NOT INSTALLED

Wednesday, May 21, 2003

STUDEL		1027 AV DU GOUCROUT LEFFEBVRE	
06271 VILLENEUVE LOUBRET		06/04/92.02.45.45 Fax:04.92.02.45.46	
C	JPG	21/05/03	MMA 21/05/03
B	JPG	30/01/03	
ATMEL		A EDIT_ORG	
AC97 ANALOG FRONT END		IND MODIF. DESS. Date:	
AT91RM9200-DK		VERIF. Date:	
Ech: 1/1		CL. TYPE NUMERO	
63SC020514C		IND PAGE	
		10/3	

Tout droits réservés. Toute réimpression ou utilisation non autorisée sans la permission écrite de la STUDEL est formellement interdite.



Wednesday, May 21, 2003

STUDEIL
 1027 AV DU GOCROUT LEFFEBVRE
 06271 VILLENEUVE LOUBRET
 TEL:04.92.02.45.45 Fax:04.92.02.45.46

CL	TYPE	NUMERO	IND	PAGE	FT
1/1				11	3

ATMEL
 SERIAL INTE RFACES
 AT91RM9200-DK
 63SC020514C

USB DEVICE INTERFACE

NRST

DDM

DDP

SMART CARD READER

PC10..15

USB HOST INTERFACE

HDMA
 HDPA

HDMB
 HDPB

SD CARD / MMC CARD INTERFACE

PA10..31

PB10..29

PC10..15

SERIAL DEBUG PORT

PA10..31

PB10..29

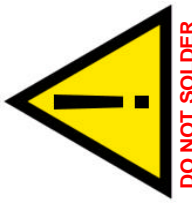
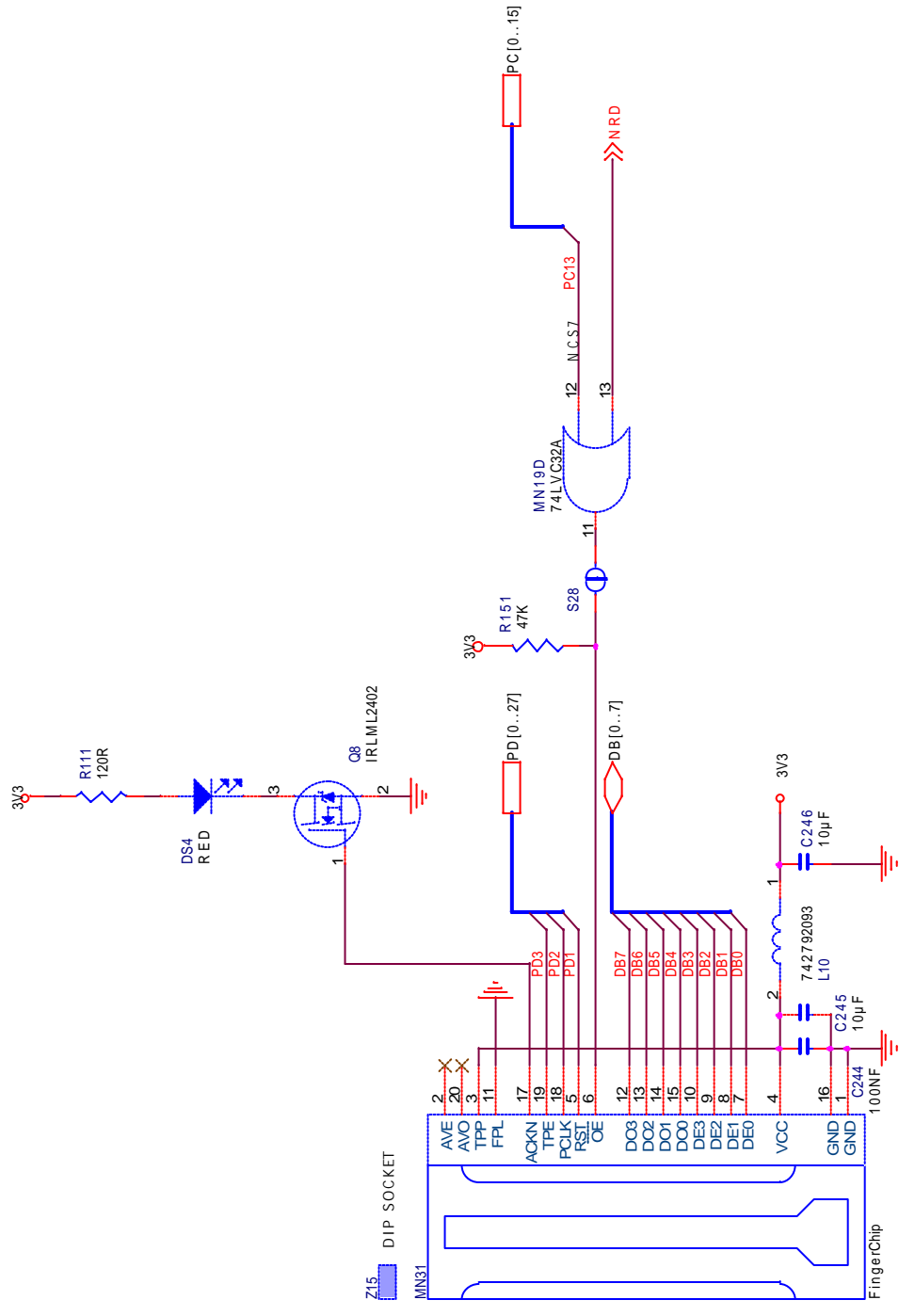
PC10..15

IrDA Transceiver

PA10..31

PB10..29

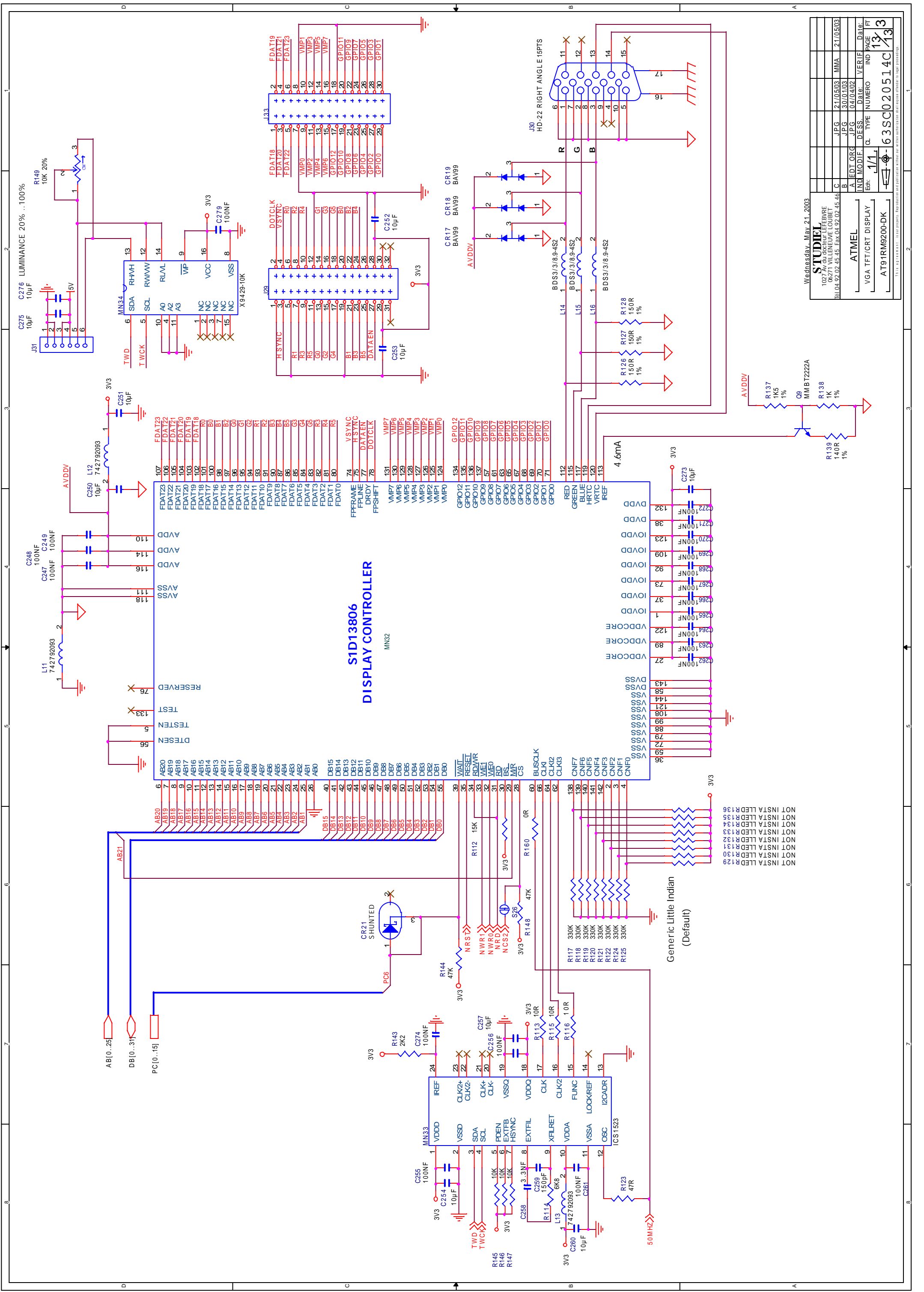
PC10..15



DO NOT SOLDER

Wednesday, May 21, 2003

STUDEL		1027 AV DU GOCHEUR LEFFEBVRE 06271 VILLENEUVE LOUBET Tel:04.92.02.45.45 Fax:04.92.02.45.46	
C	JPG	21/05/03	MMA 21/05/03
B	JPG	30/01/03	
A	JPG	04/04/02	
Ech: 1/1		CL. TYPE	NUMERO
IND. MODIF.		VERIF.	Date:
FINGERCHIP		IND	PAGE
AT91RM9200-DK		63SC020514C	12/13



Wednesday, May 21, 2003

STUDEL			
1027 AV DU GOCOURT LEFFEBVRE			
06271 VILLENEUVE LOURET			
TEL 04.92.02.45.45 Fax 04.92.02.45.46			
C	JPG	21/05/03	MMA
B	JPG	30/01/03	
A: EDITION		04/04/02	VERIF
IND. MODIF.		DESS	Date:
Ech:	1/1	CL. TYPE	NUMERO
VGA TFT/CRT DISPLAY		IND	PAGE
AT191RM9200-DK		IND	FT
		NUMERO	13
		IND	13
		PAGE	13
		IND	13
		FT	13
		IND	13
		FT	13
		IND	13
		FT	13



Atmel Corporation

2325 Orchard Parkway
San Jose, CA 95131
Tel: 1(408) 441-0311
Fax: 1(408) 487-2600

Regional Headquarters

Europe

Atmel Sarl
Route des Arsenalux 41
Case Postale 80
CH-1705 Fribourg
Switzerland
Tel: (41) 26-426-5555
Fax: (41) 26-426-5500

Asia

Room 1219
Chinachem Golden Plaza
77 Mody Road Tsimshatsui
East Kowloon
Hong Kong
Tel: (852) 2721-9778
Fax: (852) 2722-1369

Japan

9F, Tonetsu Shinkawa Bldg.
1-24-8 Shinkawa
Chuo-ku, Tokyo 104-0033
Japan
Tel: (81) 3-3523-3551
Fax: (81) 3-3523-7581

Atmel Operations

Memory

2325 Orchard Parkway
San Jose, CA 95131
Tel: 1(408) 441-0311
Fax: 1(408) 436-4314

Microcontrollers

2325 Orchard Parkway
San Jose, CA 95131
Tel: 1(408) 441-0311
Fax: 1(408) 436-4314

La Chantrerie
BP 70602
44306 Nantes Cedex 3, France
Tel: (33) 2-40-18-18-18
Fax: (33) 2-40-18-19-60

ASIC/ASSP/Smart Cards

Zone Industrielle
13106 Rousset Cedex, France
Tel: (33) 4-42-53-60-00
Fax: (33) 4-42-53-60-01

1150 East Cheyenne Mtn. Blvd.
Colorado Springs, CO 80906
Tel: 1(719) 576-3300
Fax: 1(719) 540-1759

Scottish Enterprise Technology Park
Maxwell Building
East Kilbride G75 0QR, Scotland
Tel: (44) 1355-803-000
Fax: (44) 1355-242-743

RF/Automotive

Theresienstrasse 2
Postfach 3535
74025 Heilbronn, Germany
Tel: (49) 71-31-67-0
Fax: (49) 71-31-67-2340

1150 East Cheyenne Mtn. Blvd.
Colorado Springs, CO 80906
Tel: 1(719) 576-3300
Fax: 1(719) 540-1759

Biometrics/Imaging/Hi-Rel MPU/ High Speed Converters/RF Datacom

Avenue de Rochepleine
BP 123
38521 Saint-Egreve Cedex, France
Tel: (33) 4-76-58-30-00
Fax: (33) 4-76-58-34-80

e-mail

literature@atmel.com

Web Site

<http://www.atmel.com>

Disclaimer: Atmel Corporation makes no warranty for the use of its products, other than those expressly contained in the Company's standard warranty which is detailed in Atmel's Terms and Conditions located on the Company's web site. The Company assumes no responsibility for any errors which may appear in this document, reserves the right to change devices or specifications detailed herein at any time without notice, and does not make any commitment to update the information contained herein. No licenses to patents or other intellectual property of Atmel are granted by the Company in connection with the sale of Atmel products, expressly or by implication. Atmel's products are not authorized for use as critical components in life support devices or systems.

© Atmel Corporation 2003. All rights reserved. Atmel® and combinations thereof and DataFlash® are registered trademarks of Atmel Corporation or its subsidiaries.

ARM® and Thumb® are the registered trademarks of ARM Ltd.; CompactFlash® is the registered trademark of the CompactFlash Association; SmartMedia™ is a trademark of the Solid State Floppy Disk Card Forum. Other terms and product names may be the trademarks of others.



Printed on recycled paper.