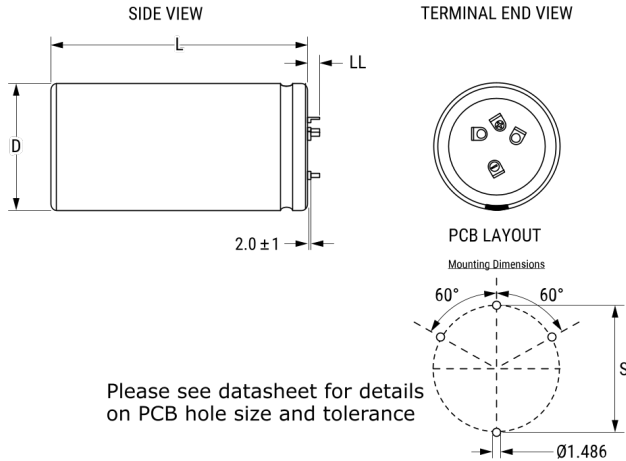


## ALF20C222KP450

Aliases (A533KW222M450C)

ALF20, Aluminum Electrolytic, 2,200 uF, 20%, 450 VDC, -40/+85°C



Click [here](#) for the 3D model.

### Dimensions

D	50mm +1mm
L	105mm +/-2mm
S	22.5mm +/-0.1mm
LL	5.5mm +/-1mm
F	1.486mm +/-0.076mm

### Packaging Specifications

Packaging	Bulk
Packaging Quantity	24

### General Information

Series	ALF20
Dielectric	Aluminum Electrolytic
Style	Press-Fit
Description	Press-Fit, Aluminum Electrolytic
RoHS	Yes
Lead	4 Pin Press-Fit
AEC-Q200	No
Component Weight	264 g
Notes	Dimensions Include Slewing.
Shelf Life	156 Weeks

### Specifications

Capacitance	2,200 uF
Capacitance Tolerance	20%
Voltage DC	450 VDC, 495 VDC (Surge)
Temperature Range	-40/+85°C
Rated Temperature	85°C
Life	18000 Hrs (Rated Voltage and Ripple Current at 85C), 29000 Hrs (Rated Voltage at 85C)
Resistance	70 mOhms (100Hz 20C), 47 mOhms (10kHz 20C)
Ripple Current	6.81 Amps (100Hz 85C), 11.12 Amps (10kHz 85C)
Leakage Current	5940 uA (5min 20°C)