

1

2

3

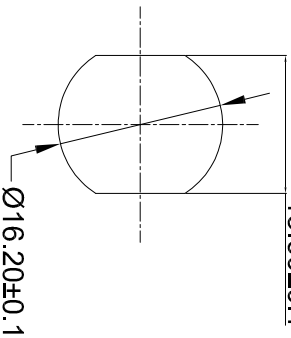
4

5

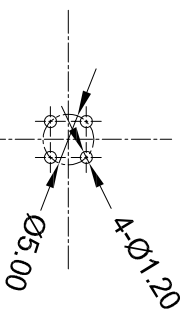
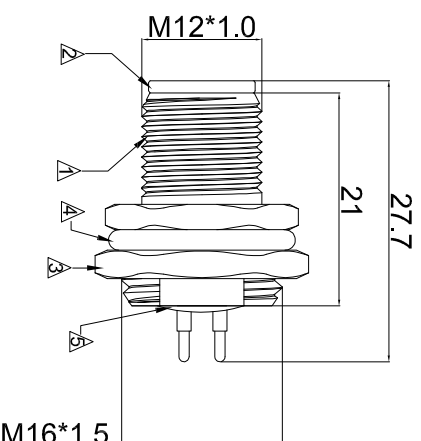
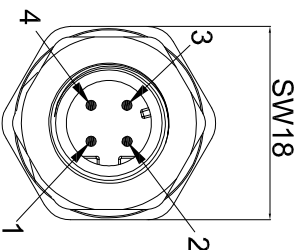
6

7

13.60±0.1

RECOMMENDED  
PANEL CUT-OUT

Ø16.20±0.1



RECOMMENDED PCB LAYOUT

Notes:

② Detailed Product Description:

1. Waterproof connector rating is IP67/IP68
- ② 2. Unshielded

Electrical Character:

2. Rating Voltage: 250V AC/DC
3. Insulation Resistance: >100MΩ
4. Rating Current: 4A
5. Contact Resistance of connector: ≤10mΩ
6. Mating Cycle: 100 times Min, 500 times Max.
7. Operating temperature: -25°C ~ +85°C

RoHS compliant

Unit: mm

Scale	Free TOLERANCE
.X	±0.5
.XX	±0.20
DIM	TOL
X.°	±2.0°
.X°	±1.0°
Angle	TOL

Id.	Modification	Date	Name
①	Update the notes	25.04.2019	Segal
②	Remove "resistance many oils and chemical" from notes	06.09.2019	Amy
③	Drawn	11.07.2018	Segal

Drawn	Date	Approved	Name
Drawn	11.07.2018	Approved	Segal
Approved	06.09.2019		Amy

ITEM	Description	QTY	UNIT
①	BLACK GLUE A/B (ETHOXYLINE RESIN)	2	G
②	O-Ring GREEN FKM Ø13.0*Ø2.0mm	1	PCS
③	M16 BRASS PLATED Nl L *W=2.8*18mm	1	PCS
④	M12 D 4 Pin MALE CONNECTOR Black UL94V-0 DIP Pin 1u" Gold plated	1	PCS
⑤	M12 BRASS WITH NI PLATED, MALE M16*1.5 L=21.0mm	1	SET

SPECIFICATION

QTY UNIT

Customer-No.

ASSMANN WSW-No.

A-M12-04-MGMD-GTB2

Drawing-No.

ASS 8043 CO

rev02

Replace

Sheet

1

2

3

4

5

6

7

SV4471