



Plain Ball Bearing 8*16*5mm (Pair)

SKU: 87311 Weight: 10.00 Gram

Description:

Makeblock plain ball bearing 8*16*5mm can be used with Makeblock 8mm bearing bracket A to support heavy mechanisms.

Features:

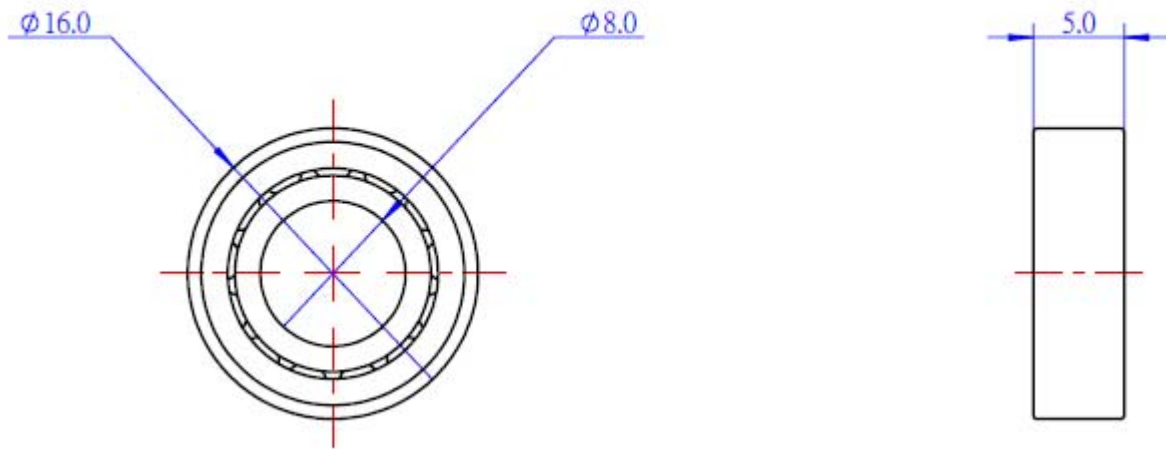
? Perfect for adding to 8mm shaft and 8mm bearing bracket A.

? Makes the rotating part virtually friction-free.

? Diameters: 8mm (inside), 16mm (outside).

? Sold in pack of 2.

Size Charts(mm):



Demo:

