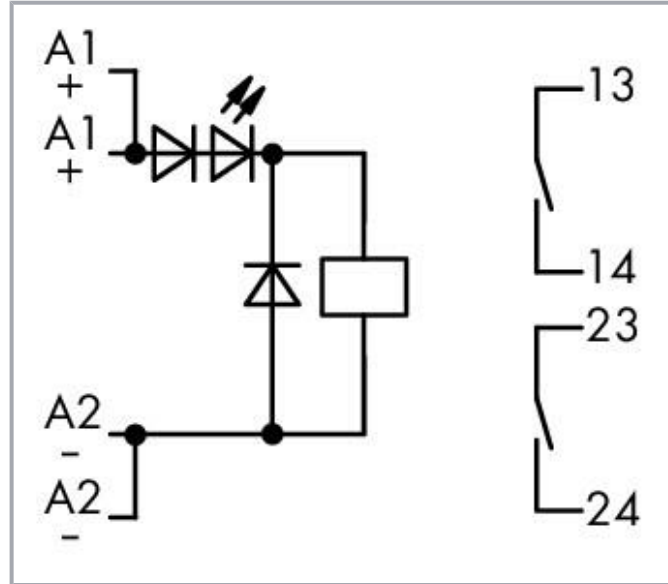


**Data sheet | Item number: 286-328**

Relay module; Nominal input voltage: 24 VDC; 2 make contact; Limiting continuous current: 6 A; Red status indicator; Module width: 20 mm; gray

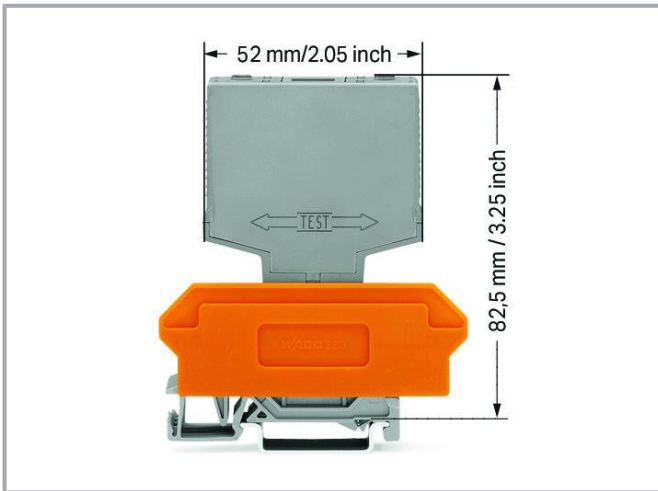
[www.wago.com/286-328](http://www.wago.com/286-328)



Subject to changes. Please also observe the further product documentation!

WAGO GmbH & Co. KG  
Hansastr. 27  
32423 Minden  
Phone: +49571 887-0 | Fax: +49571 887-169  
Email: [info.de@wago.com](mailto:info.de@wago.com) | Web: [www.wago.com](http://www.wago.com)

Do you have any questions about our products?  
We are always happy to take your call at +49 (571) 887-44222.



## Data

### Technical data

#### Control Circuit

|                                |            |
|--------------------------------|------------|
| Nominal input voltage $U_N$    | DC 24 V    |
| Input voltage range            | $\pm 10\%$ |
| Nominal input current at $U_N$ | 8 mA       |

#### Load circuit

|   |  |
|---|--|
| Number of make/switch-on contacts           | 2  |
| Contact material (relay)                    | AgSnO <sub>2</sub>                         |
| Limiting continuous current                 | 6 A  |
| Inrush current (resistive) max.             | (AC) 15 A / 1 s                            |
| Switching voltage (max.)                    | AC 250 V                                   |
| Switching power (resistive) max.            | AC 1500 VA                                 |
| Pull-in time (typ.)                         | 10 ms                                      |
| Drop-out time (typ.)                        | 4 ms                                       |
| Bounce time (typ.)                          | 1 ms                                       |
| Electrical life (NO; resistive load; 23 °C) | 100 x 10 <sup>3</sup> switching operations |
| Mechanical life                             | 50 x 10 <sup>6</sup> switching operations  |

Subject to changes. Please also observe the further product documentation!

WAGO GmbH & Co. KG  
 Hansastr. 27  
 32423 Minden  
 Phone: +49571 887-0 | Fax: +49571 887-169  
 Email: [info.de@wago.com](mailto:info.de@wago.com) | Web: [www.wago.com](http://www.wago.com)

Do you have any questions about our products?  
 We are always happy to take your call at +49 (571) 887-44222.

## Signaling

|                  |         |
|------------------|---------|
| Status indicator | Red LED |
|------------------|---------|

## Safety and protection

|   |  |
|---|--|
| Rated voltage   | 300 V                                  |
| Rated surge voltage   | 4 kV                                   |
| Overvoltage category  | II                                     |
| Pollution degree  | 2                                      |
| Dielectric strength (control/load circuit) (AC, 1 min)      | 3 kVrms                                |
| Dielectric strength (open contact) (AC, 1 min)              | 1 kVrms                                |
| Dielectric strength (load/load circuit) (AC, 1 min)         | 1.5 kVrms                              |
| Insulation type (control/load circuit)                      | Reinforced insulation (safe isolation) |
| Insulation type (load/load circuit)                         | Functional insulation                  |
| Insulation type (between adjacent devices of the same type) | Reinforced insulation (safe isolation) |
| Protection type   | IP20                                   |

## Physical data

|                                    |                        |
|------------------------------------|------------------------|
| Width                              | 20 mm / 0.787 inches   |
| Height from upper-edge of DIN-rail | 82.5 mm / 3.248 inches |
| Depth                              | 52 mm / 2.047 inches   |

## Mechanical data

|               |   |
|---------------|---|
| Mounting type | Pluggable module for receptacle terminal blocks |
|---------------|---|

## Material Data

|           |          |
|-----------|----------|
| Color     | gray     |
| Fire load | 0.412 MJ |
| Weight    | 28.5 g   |

## Environmental requirements

|   |  |
|---|--|
| Ambient temperature (operation at $U_N$ ) | -25 ... +40 °C                           |
| Ambient temperature (storage)             | -25 ... +70 °C                           |
| Processing temperature                    | -25 ... +50 °C                           |
| Relative humidity                         | 5 ... 93 % (no condensation permissible) |

Subject to changes. Please also observe the further product documentation!



|                           |        |
|---------------------------|--------|
| Operating altitude (max.) | 2000 m |
|---------------------------|--------|

## Standards and specifications

|                          |                |
|--------------------------|----------------|
| Standards/specifications | EN 61010-2-201 |
|--------------------------|----------------|

## Commercial data

|                       |                          |
|-----------------------|--------------------------|
| Product Group         | 6 (INTERFACE ELECTRONIC) |
| eCl@ss 10.0           | 27-37-16-01              |
| eCl@ss 9.0            | 27-37-16-01              |
| ETIM 8.0              | EC001437                 |
| ETIM 7.0              | EC001437                 |
| PU (SPU)              | 10 (1) pcs               |
| Packaging type        | box                      |
| Country of origin     | DE                       |
| GTIN                  | 4045454319540            |
| Customs tariff number | 85364900990              |

## Environmental Product Compliance

|   |  |
|---|--|
| CAS-No.                                   | 7439-92-1<br>79-94-7                                     |
| REACH Candidate List Substance            | 2,2',6,6'-tetrabromo-4,4'-isopropylidenediphenol<br>Lead |
| RoHS Compliance Status                    | Compliant,With Exemption                                 |
| RoHS Exemption                            | 7(a)<br>7(c)-I<br>7(c)-II                                |
| SCIP notification number (Austria)        | 9ec331bc-4e3f-4a6f-a0b5-541d7bf95266                     |
| SCIP notification number (Belgium)        | ad41781b-e80b-48f9-a959-b0543994faf7                     |
| SCIP notification number (Bulgaria)       | 3dbcb743-ecea-4504-89e0-e4b455be2431                     |
| SCIP notification number (Czech Republic) | 090ee38e-ef53-4f90-9a7f-f43f601b0feb                     |
| SCIP notification number (Denmark)        | e3f21f7b-83e9-4f09-8502-9010a9097ff3                     |
| SCIP notification number (Finland)        | 03ab8861-c498-492f-9a62-43ba997cc89e                     |
| SCIP notification number (France)         | 685a717a-c093-4a4b-96e9-ab4f048cdcc5                     |
| SCIP notification number (Germany)        | ca6ddfe7-c4de-4e2a-bfd5-7717e12733d1                     |
| SCIP notification number (Hungary)        | 6b876fc6-fc87-4840-8c03-c3c0c0a85f7e                     |
| SCIP notification number (Italy)          | ee635f1f-4d3c-49a8-b1dd-e712c9283c29                     |
| SCIP notification number (Netherlands)    | 8bd75dca-8da8-44ac-bde3-c0c8e8093933                     |
| SCIP notification number (Poland)         | 4e1ff327-c58c-4927-af20-324698879275                     |

Subject to changes. Please also observe the further product documentation!

WAGO GmbH & Co. KG  
Hansastr. 27  
32423 Minden  
Phone: +49571 887-0 | Fax: +49571 887-169  
Email: [info.de@wago.com](mailto:info.de@wago.com) | Web: [www.wago.com](http://www.wago.com)

Do you have any questions about our products?  
We are always happy to take your call at +49 (571) 887-44222.

SCIP notification number (Romania)


2481b2b6-e784-41d0-adc7-1dea3ddc97b7

SCIP notification number (Sweden)



10af2af1-14c1-458b-977b-316abee978dd

## Approvals / Certificates

### General approvals


| Logo   | Approval                               | Additional Approval Text | Certificate name            |
|--|--|--------------------------|-----------------------------|
|  | EAC<br>Brjansker Zertifizierungsstelle | TP TC 004/2011           | EAC RU C-DE.AM02.B.00122/19 |

### Declarations of conformity and manufacturer's declarations




| Logo  | Approval   | Additional Approval Text | Certificate name |
|---|--|--------------------------|------------------|
|   | EU-Declaration of Conformity<br>WAGO GmbH & Co. KG | -                        | -                |
|  | UK-Declaration of Conformity<br>WAGO GmbH & Co. KG | -                        | -                |

## Optional accessories

### Marking accessories

| Marker   |   |  |
|--|---|--|
|  | Item no.: 209-701<br>WSB marking card; as card; not stretchable; plain; snap-on type; white | <a href="http://www.wago.com/209-701">www.wago.com/209-701</a> |

### Terminal blocks

| Terminal block for pluggable modules   |  |  |
|--|--|--|
|  | Item no.: 280-628<br>Terminal block for pluggable modules; 8-pole; with 4-conductor terminal blocks; with orange separator; <a href="http://www.wago.com/280-628">www.wago.com/280-628</a><br>for DIN-rail 35 x 15 and 35 x 7.5; 2.5 mm <sup>2</sup> ; CAGE CLAMP®; 2,50 mm <sup>2</sup> ; gray                      |  |
|  | Item no.: 280-638<br>Terminal block for pluggable modules; 8-pole; with 2-conductor terminal blocks; with orange separator; <a href="http://www.wago.com/280-638">www.wago.com/280-638</a><br>for DIN-rail 35 x 15 and 35 x 7.5; 2.5 mm <sup>2</sup> ; CAGE CLAMP®; 2,50 mm <sup>2</sup> ; gray                      |  |
|  | Item no.: 280-764<br>Terminal block for pluggable modules; 8-pole; with 4-conductor terminal blocks; with marker carrier; <a href="http://www.wago.com/280-764">www.wago.com/280-764</a><br>with orange separator; for DIN-rail 35 x 15 and 35 x 7.5; 2.5 mm <sup>2</sup> ; CAGE CLAMP®; 2,50 mm <sup>2</sup> ; gray |  |

Subject to changes. Please also observe the further product documentation!

WAGO GmbH &amp; Co. KG

Hansastr. 27

32423 Minden

Phone: +49571 887-0 | Fax: +49571 887-169

Email: [info.de@wago.com](mailto:info.de@wago.com) | Web: [www.wago.com](http://www.wago.com)

Do you have any questions about our products?

We are always happy to take your call at +49 (571) 887-44222.



## Downloads Documentation

### Bid Text

|                        |             |               |          |
|------------------------|-------------|---------------|----------|
| 286-328<br>X81 - Datei | 2019 Feb 19 | xml<br>3.9 kB | Download |
|------------------------|-------------|---------------|----------|

|                        |             |                |          |
|------------------------|-------------|----------------|----------|
| 286-328<br>doc - Datei | 2018 Mar 22 | doc<br>27.6 kB | Download |
|------------------------|-------------|----------------|----------|

### Instruction Leaflet

|  |  |               |          |
|--|--|---------------|----------|
|  |  | pdf<br>1.3 MB | Download |
|--|--|---------------|----------|

### Additional Information

|   |                        |               |          |
|---|------------------------|---------------|----------|
| Disposal and Recycling<br>Electrical and electronic equipment, Batteries, Packaging | V 1.1.0<br>2022 Aug 18 | pdf<br>2.2 MB | Download |
|---|------------------------|---------------|----------|

## CAD/CAE-Data

### CAD data

|                      |  |     |          |
|----------------------|--|-----|----------|
| 2D/3D Models 286-328 |  | URL | Download |
|----------------------|--|-----|----------|

### CAE data

|                        |  |     |          |
|------------------------|--|-----|----------|
| WSCAD Universe 286-328 |  | URL | Download |
|------------------------|--|-----|----------|

|                      |  |     |          |
|----------------------|--|-----|----------|
| ZUKEN Portal 286-328 |  | URL | Download |
|----------------------|--|-----|----------|

## Environmental Product Compliance

### Compliance Search

|  |  |     |          |
|--|--|-----|----------|
| Environmental Product Compliance 286-328<br>Relay module; Nominal input voltage: 24 VDC; 2 make contact; Limiting continuous current: 6 A; Red status indicator; Module width: 20 mm; gray |  | URL | Download |
|--|--|-----|----------|

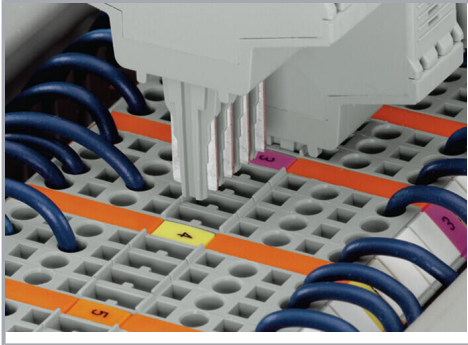
## Installation Notes

Subject to changes. Please also observe the further product documentation!

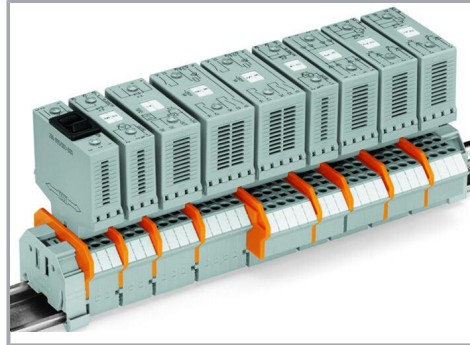
WAGO GmbH & Co. KG  
Hansastr. 27  
32423 Minden  
Phone: +49571 887-0 | Fax: +49571 887-169  
Email: [info.de@wago.com](mailto:info.de@wago.com) | Web: [www.wago.com](http://www.wago.com)

Do you have any questions about our products?  
We are always happy to take your call at +49 (571) 887-44222.

### Installation

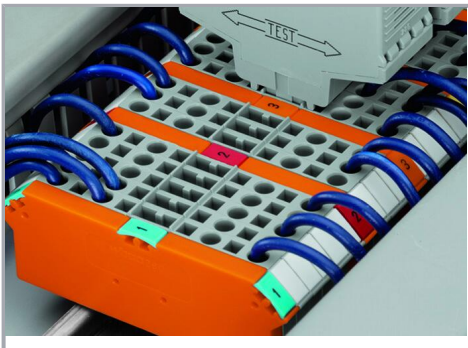


Coding ensures correct polarity.



Pluggable electronic modules on 2- or 4-conductor carrier terminal blocks

### Marking



Marking via WMB Multi Marking System.

### Testing



Function testing via touch-proof test slots

Subject to changes. Please also observe the further product documentation!