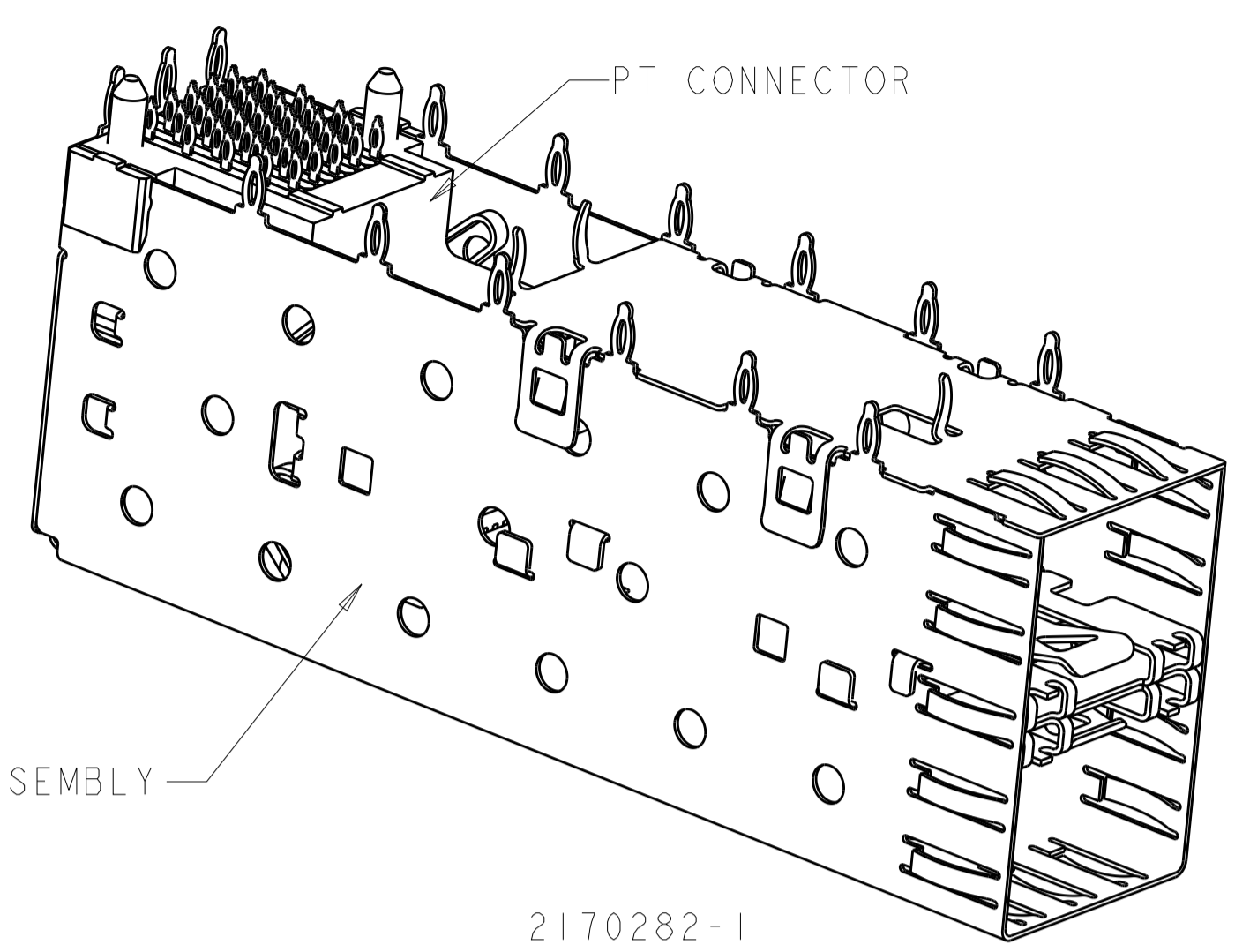
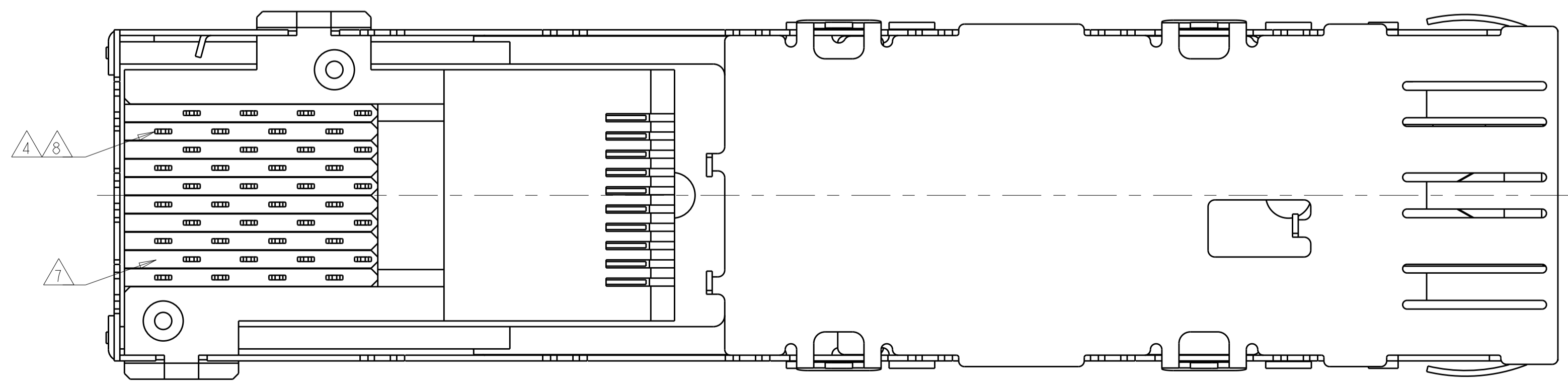
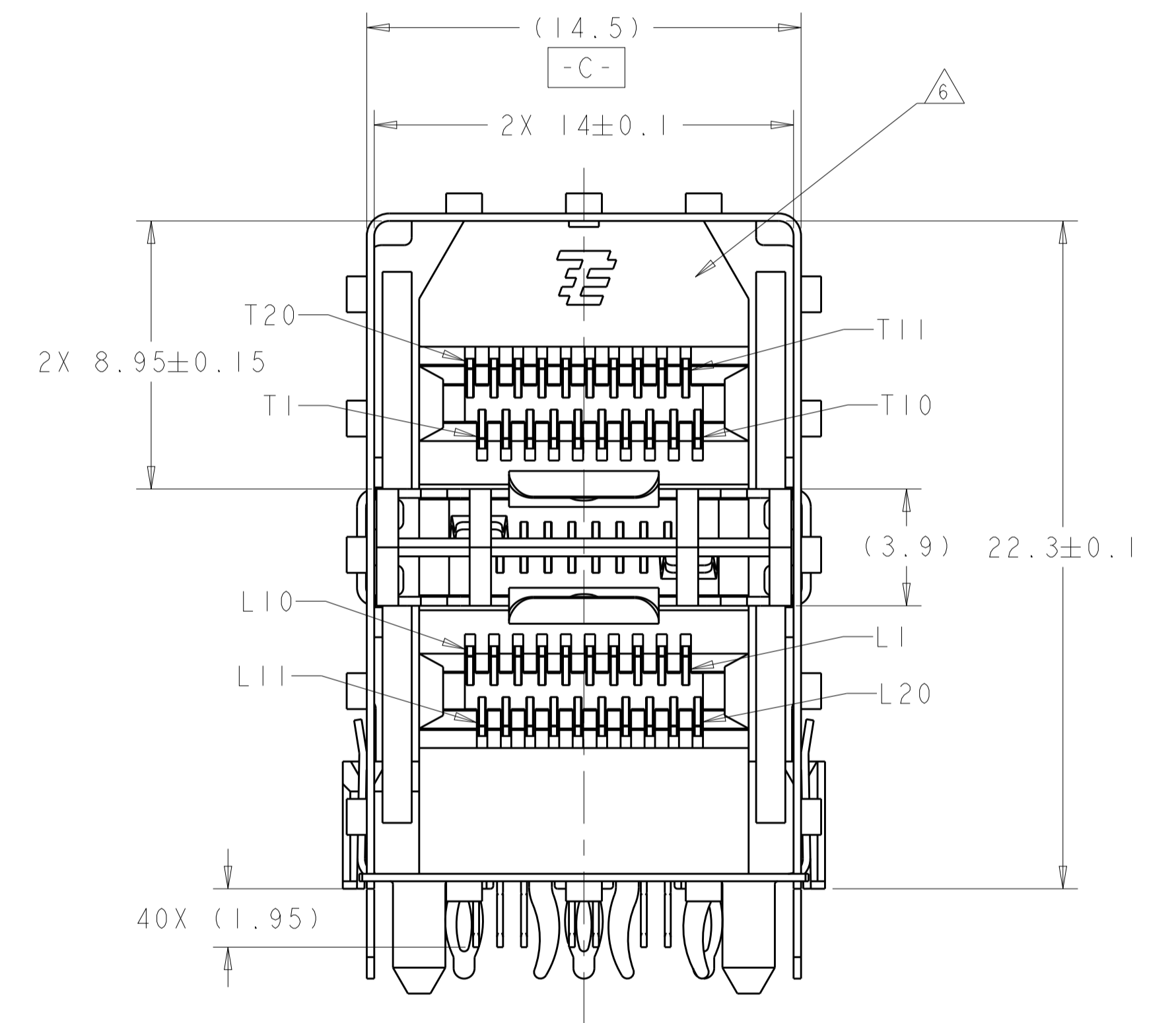
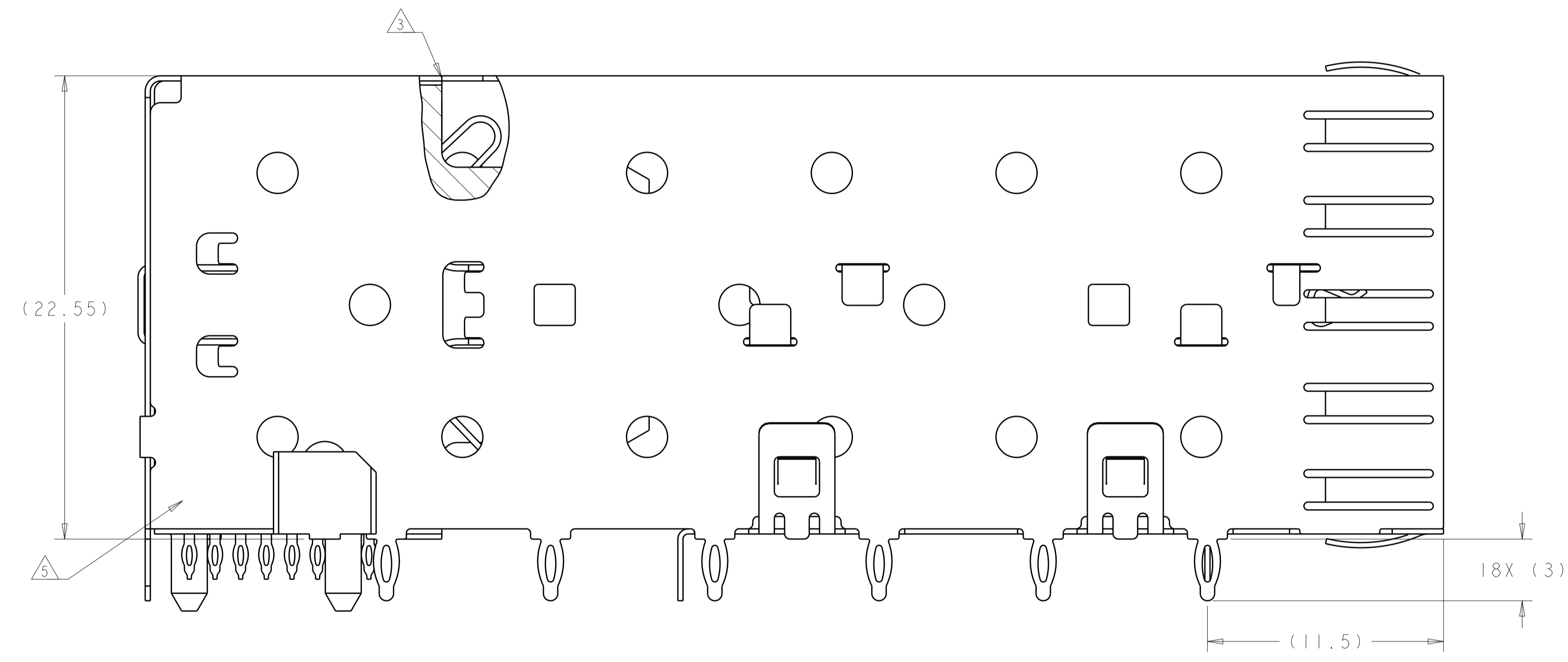


LOC	DIST	REVISIONS			
P	LTN	DESCRIPTION	DATE	DWN	APVD
A		RELEASED	25FEB2016	JW	SH



2170282-1  
SCALE 3:1

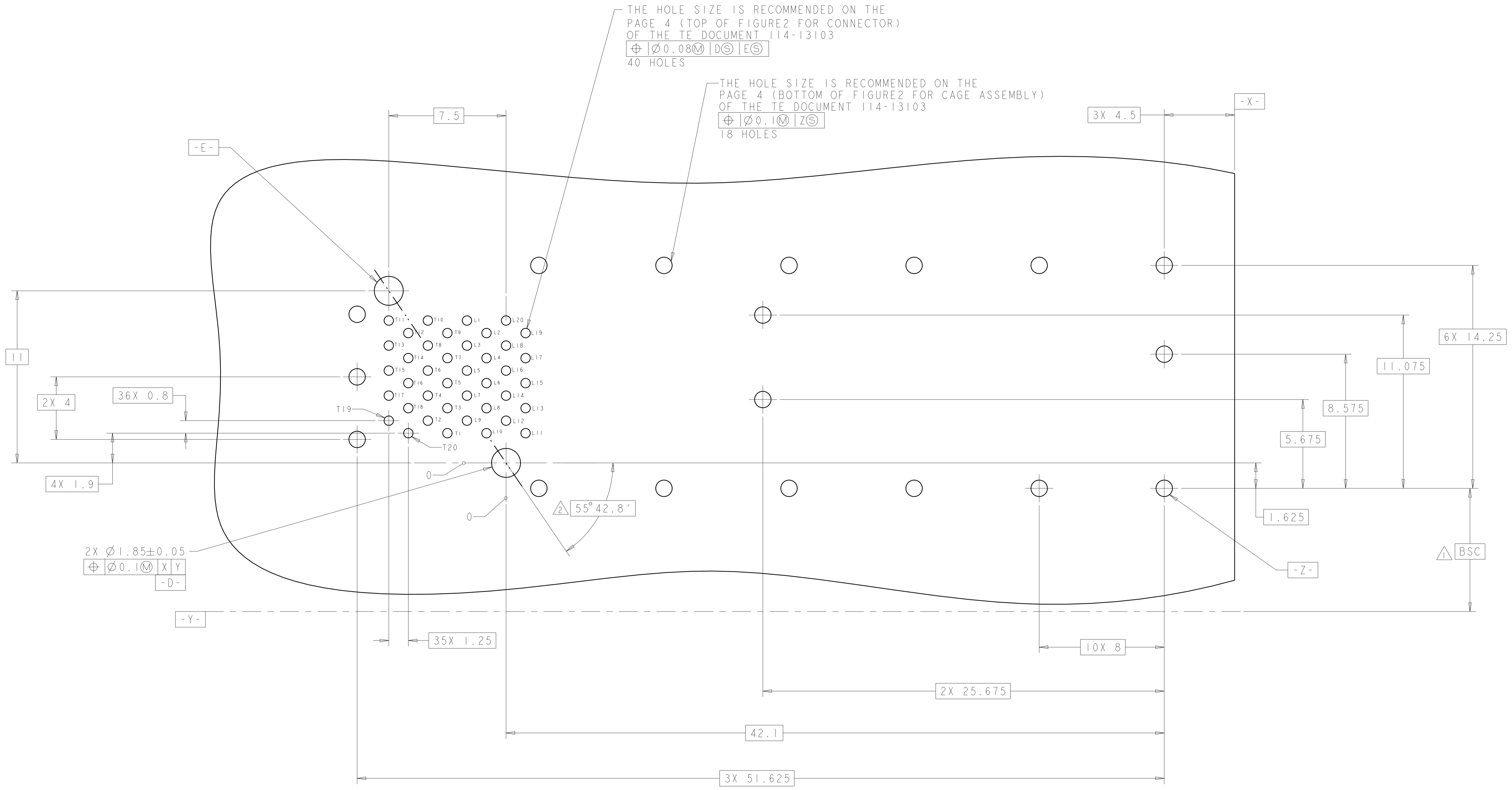
- 1 DATUM AND BASIC DIMENSION TO BE DETERMINED BY CUSTOMER.
- 2 INTERPRETATION OF DATUM REFERENCE FRAME IN ACCORDANCE WITH SECT 4.4.1.1 OF ASME Y14.5M-1994.
- 3 TOP OF PT CONNECTOR TO BE 0-0.15 FROM INSIDE SURFACE OF CAGE.
- 4 COPPER ALLOY.
- 5 NICKEL SILVER ALLOY (NO PLATING).
- 6 LCP, HIGH TEMPERATURE, UL 94V-0 RATED, BLACK.
- 7 POLYESTER, UL 94V-0 RATED, BLACK.
- 8 CONTACT MATING AREA: SURFACE TREATMENT OVER 0.76µm MIN GOLD PER ASTM B 488 OVER 1.27µm MIN NICKEL PER QQ-N-290. NEEDLE EYE: 1.25µm MIN TIN PER ASTM B 545 OVER 1.27µm MIN NICKEL PER QQ-N-290. REMAINDER OF CONTACT: 0.76µm MIN NICKEL PER QQ-N-290.



2170282-1  
PART NUMBER

THIS DRAWING IS A CONTROLLED DOCUMENT.		DWN: JASON YANG 21FEB2012	TE Connectivity	
DIMENSIONS: mm		CHK: ALEX CAI 21FEB2012		
TOLERANCES UNLESS OTHERWISE SPECIFIED:		APVD: ALEX CAI 21FEB2012	NAME: CAGE AND PT CONNECTOR ASSEMBLY, 2x1, PRESS FIT, LOW PROFILE, SFP	
0 PLC	±	PRODUCT SPEC	SIZE: CAGE CODE DRAWING NO	
1 PLC	±0.1	108-2161	RESTRICTED TO	
2 PLC	±	APPLICATION SPEC	A100779C=2170282	
3 PLC	±	114-13103	SCALE: 1:1 SHEET 1 OF 3 REV A	
4 PLC	±	WEIGHT		
ANGLES	±	CUSTOMER DRAWING		
MATERIAL	FINISH			

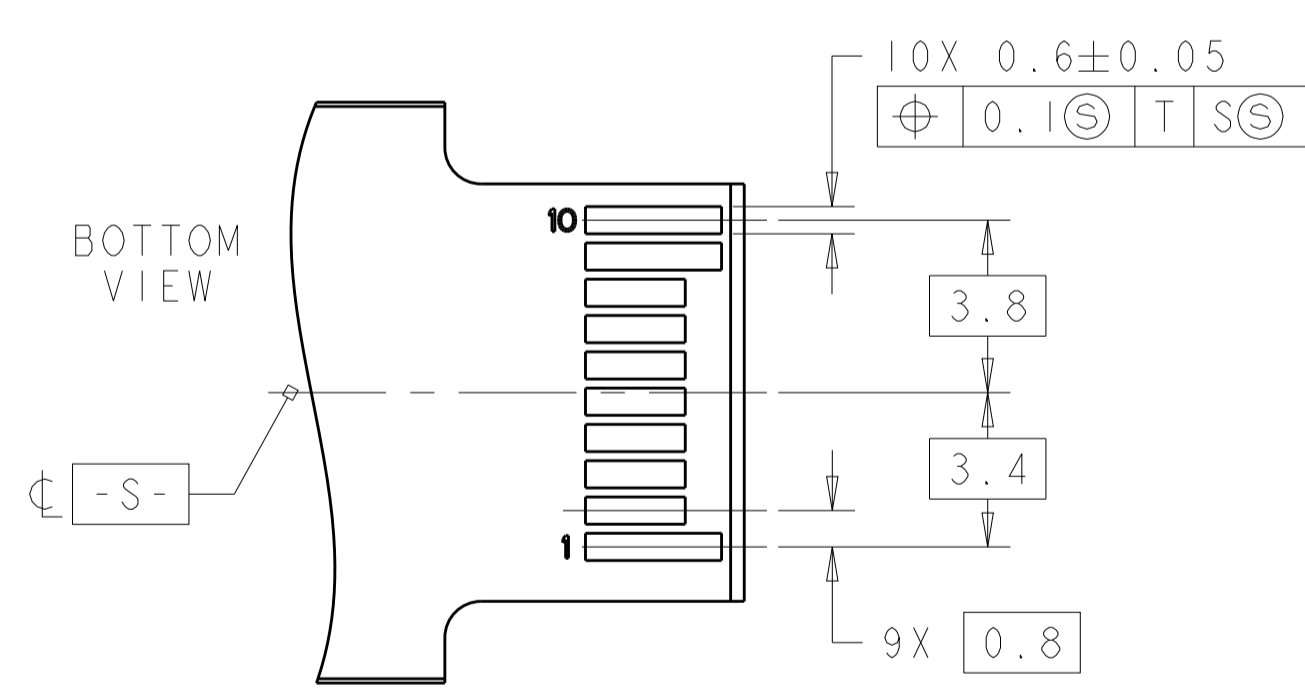
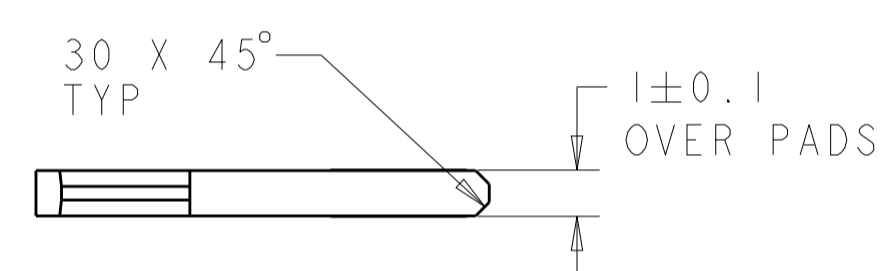
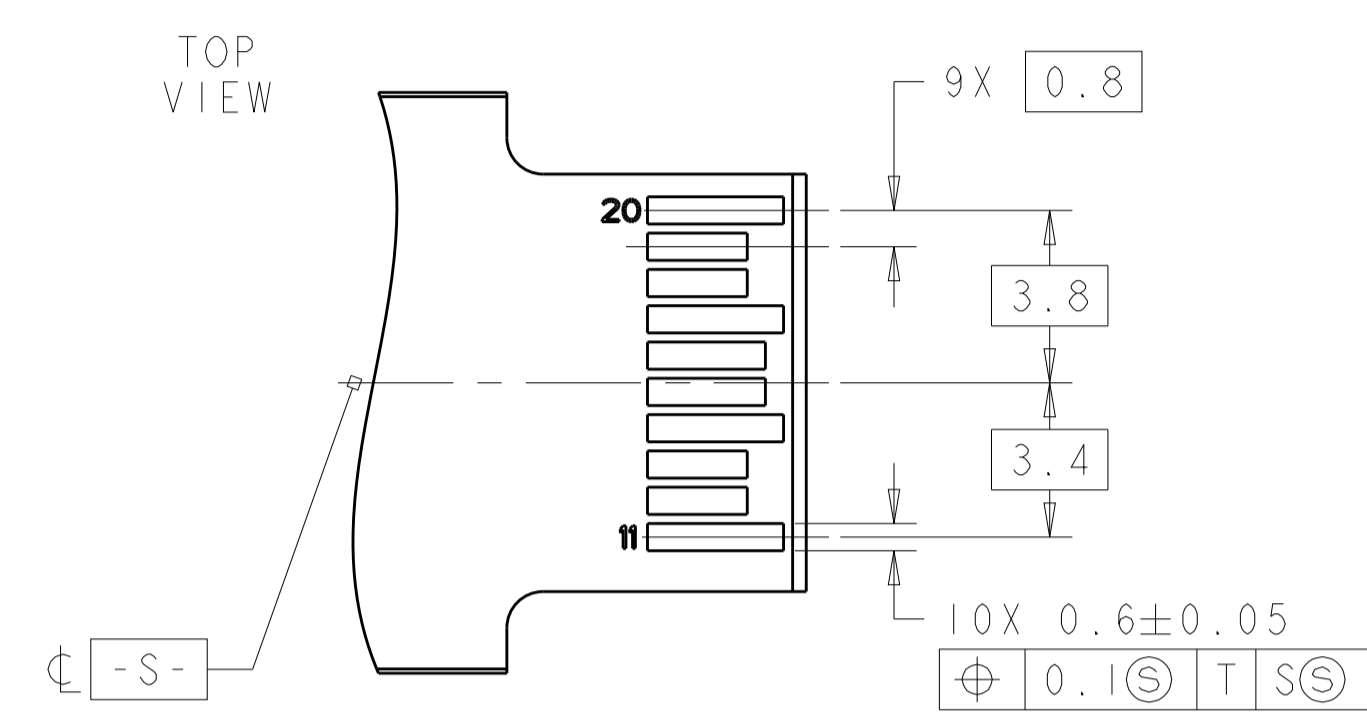
LOC	DIST	REVISIONS					
		P.	LTN	DESCRIPTION	DATE	OWN	APVD
ES	00	-	-	SEE SHEET 1	-	-	-



SCALE 8:1

THIS DRAWING IS A CONTROLLED DOCUMENT.		OWN: JASON YANG 21FEB2012	
DIMENSIONS: mm		CHK: ALEX CAI 21FEB2012	
TOLERANCES UNLESS OTHERWISE SPECIFIED:		APVD: ALEX CAI 21FEB2012	NAME: CAGE AND PT CONNECTOR ASSEMBLY, 2x1, PRESS FIT, LOW PROFILE, SFP SIZE: CAGE CODE DRAWING NO. RESTRICTED TO 114-13103 WEIGHT: A100779C=2170282 CUSTOMER DRAWING SCALE 1:1 SHEET 2 OF 3 REV A
0 PLC ± 1 PLC ±0.1 2 PLC ± 3 PLC ± 4 PLC ± ANGLES ±		PRODUCT SPEC 108-2161	
MATERIAL: -		APPLICATION SPEC 114-13103	
FINISH: -		WEIGHT: -	

LOC	DIST	REVISIONS					
		P.	LTN	DESCRIPTION	DATE	DWN	APVD
ES	00	-	-	SEE SHEET 1	-	-	-



RECOMMENDED LAYOUT FOR  
 MATING TRANSCEIVER PCB  
 SCALE 6:1

THIS DRAWING IS A CONTROLLED DOCUMENT.		DWN: JASON YANG 21FEB2012	TE Connectivity
		CHK: ALEX CAI 21FEB2012	
DIMENSIONS:		APVD: ALEX CAI 21FEB2012	NAME: CAGE AND PT CONNECTOR ASSEMBLY, 2x1, PRESS FIT, LOW PROFILE, SFP
mm		PRODUCT SPEC	
0 PLC ± 1 PLC ± 2 PLC ±0.1 3 PLC ± 4 PLC ± ANGLES ±		108-2161 APPLICATION SPEC	SIZE: A100779 CAGE CODE: C=2170282 DRAWING NO:
MATERIAL: - FINISH: -		114-13103 WEIGHT: -	
		CUSTOMER DRAWING	SCALE: 8:1 SHEET 3 OF 3 REV A