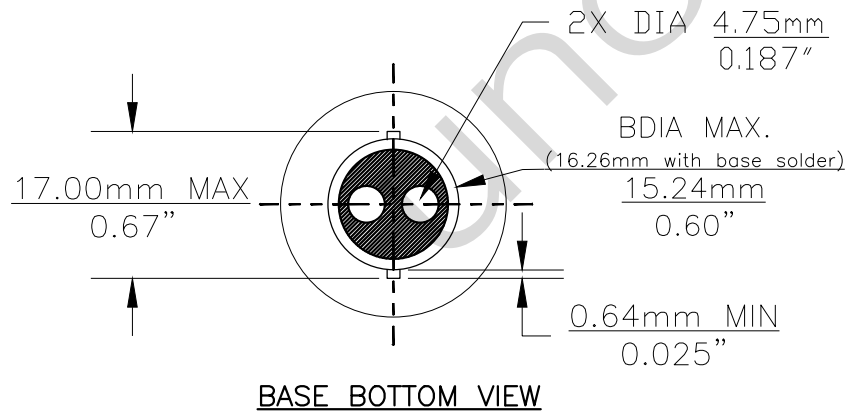
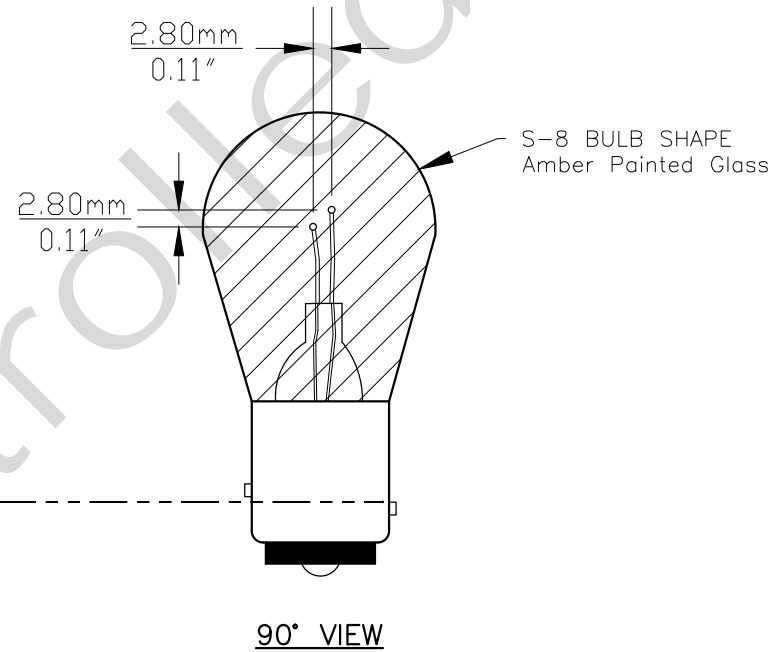
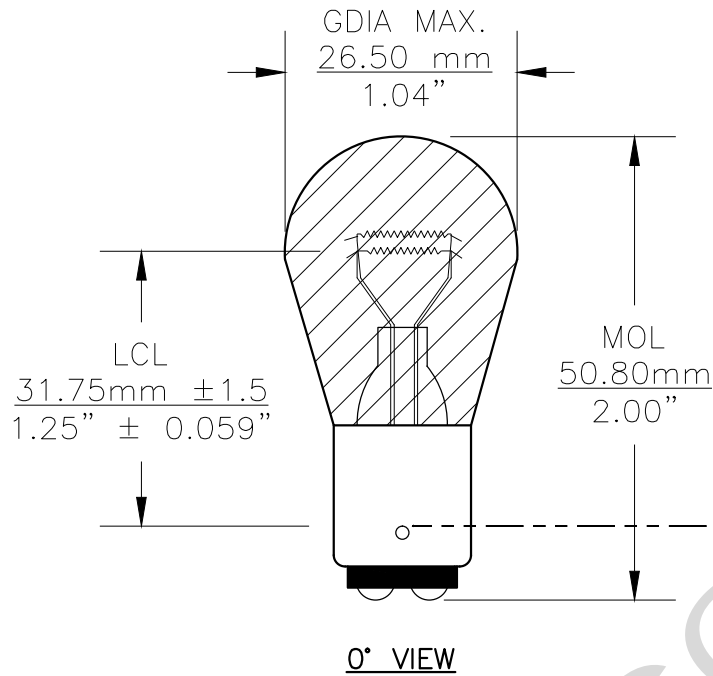




PART NO.	BASE TYPE	DESIGN VOLTS	DESIGN AMPS	MSCD	FILAMENT TYPE	AVERAGE LIFE HOURS	REVISIONS			
							REV #	DESCRIPTION	DATE	APPROVED
1157A	D.C. INDEX BAY15d	12.8V 14.0V	2.1±5% 0.59±8%	24±30% 2.2±30%	C-6 C-6	1200 5000	1	ISSUED	05/23/2014	R.M.



UNLESS OTHERWISE SPECIFIED: DIMENSIONS ARE IN INCHES TOLERANCES		CEC INDUSTRIES LTD			
DECIMALS	ANGULAR	599 BOND STREET		LINCOLNSHIRE, IL 60069	
.XX ± .05	± 0.5°	TITLE LIGHT BULB NO. 1157A			
.XXX ± .010		SIZE A	FSCM NO.	DWG NO. 1157A	REV 1
FRACTIONAL	±1/64	DESIGN	SCALE	PLOT SCALE	SHEET 1 OF 1
DRAWN ROSE MEDINA DATE 05/23/2014		MATERIAL		FILE 1157A.pdf	DRAWING NOT TO SCALE