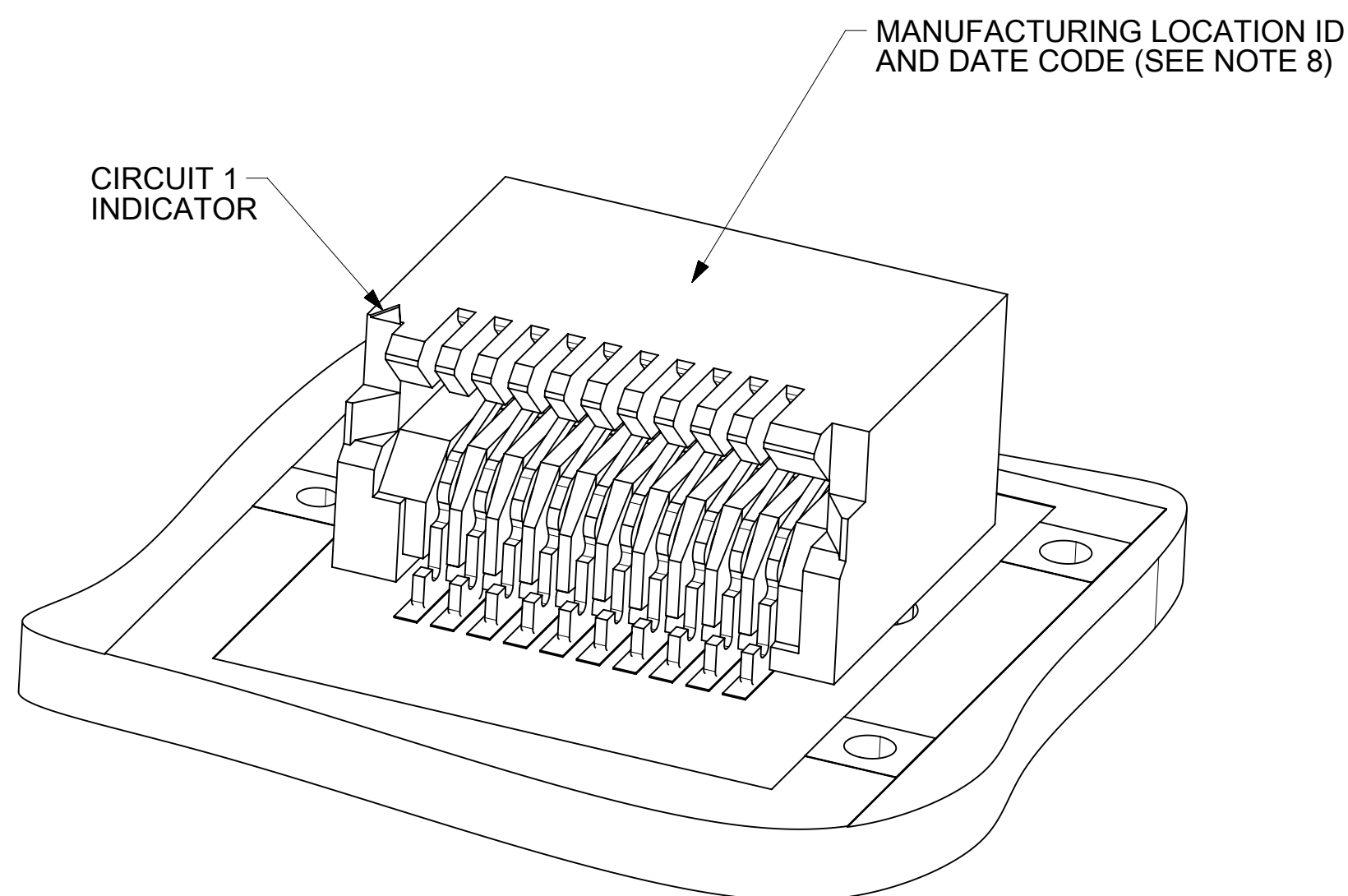

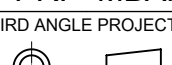


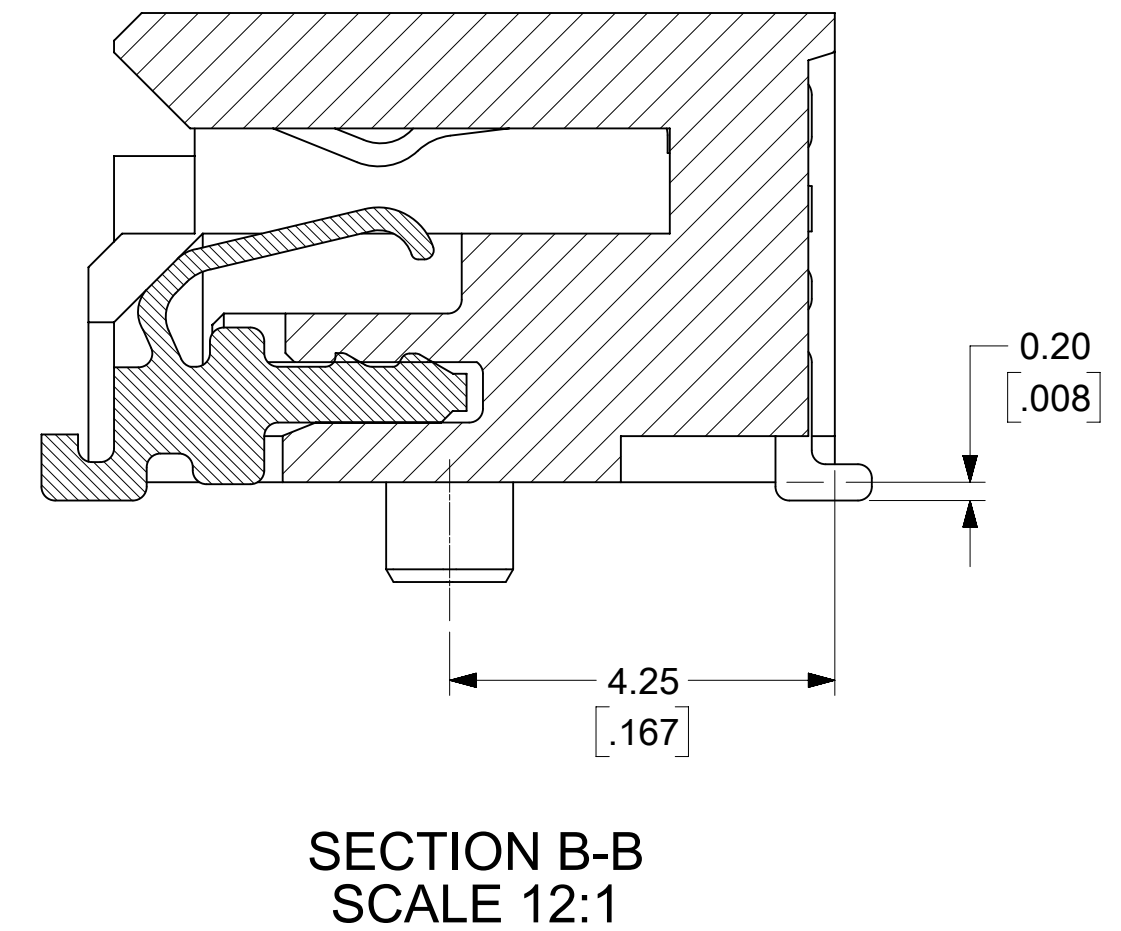
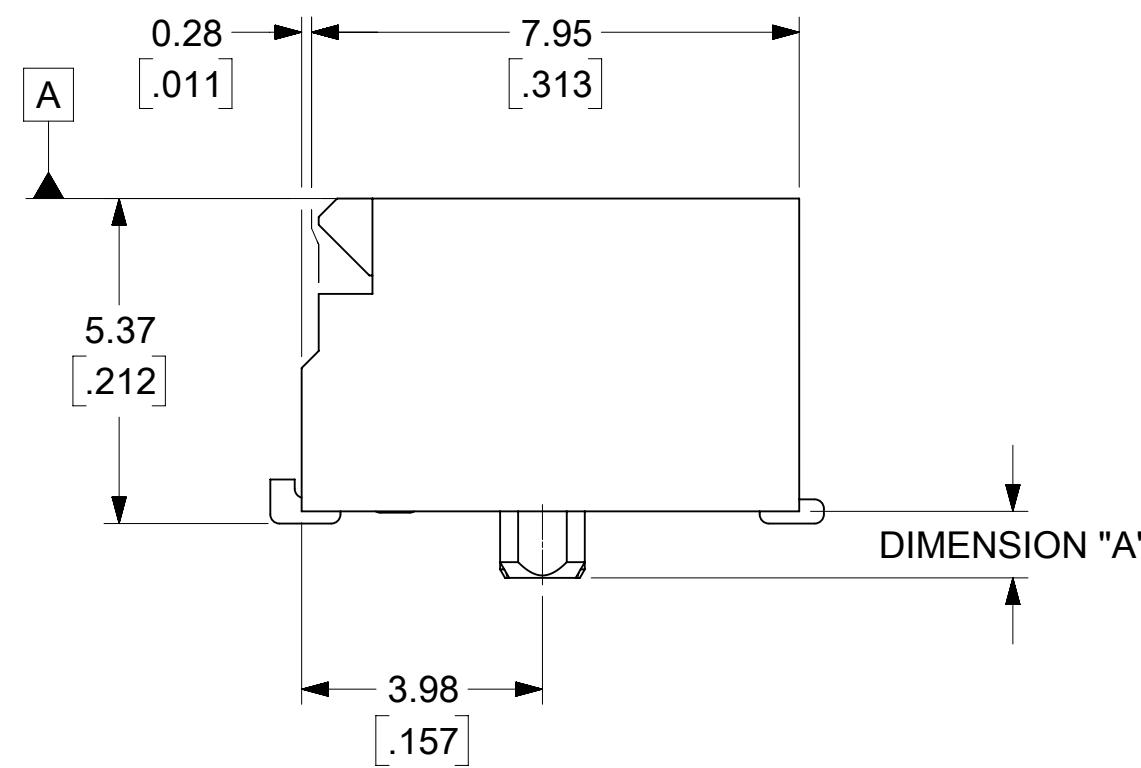
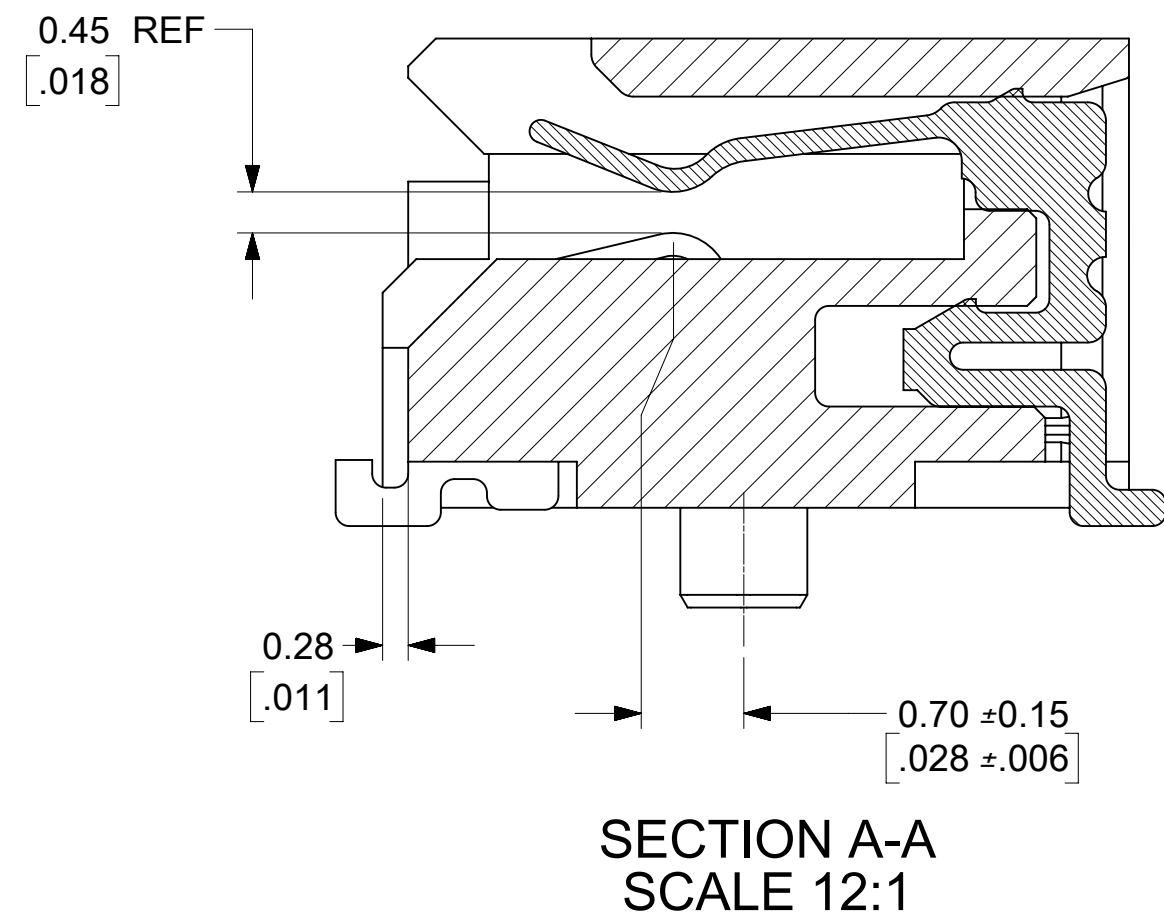
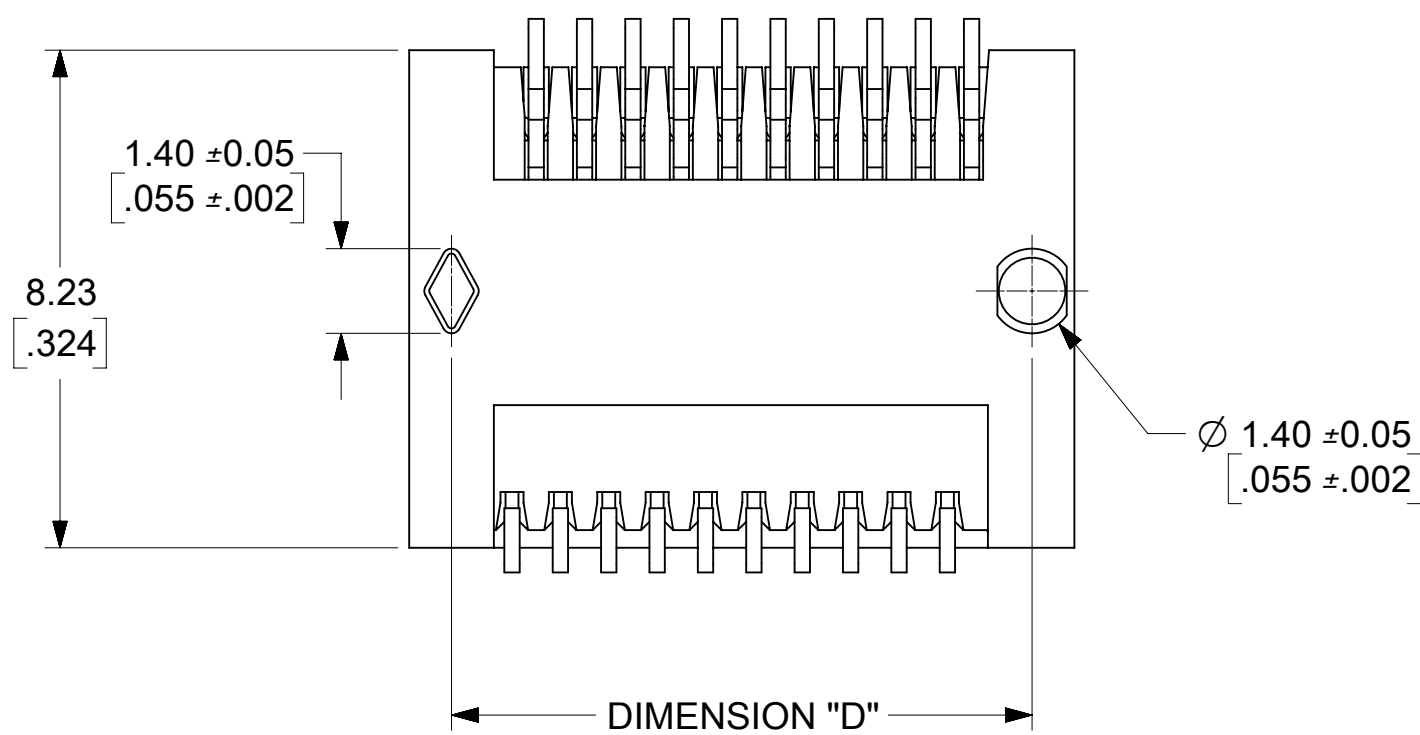
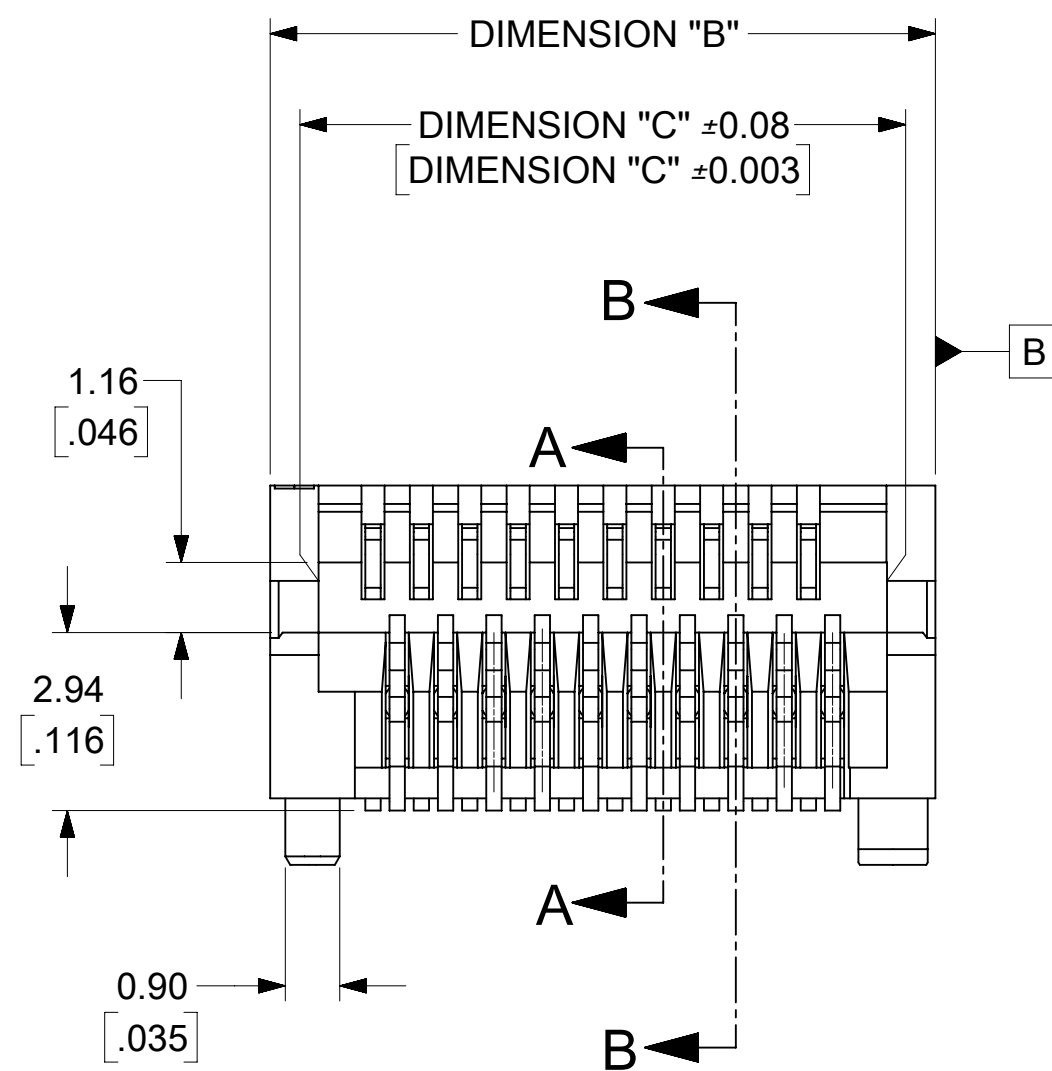
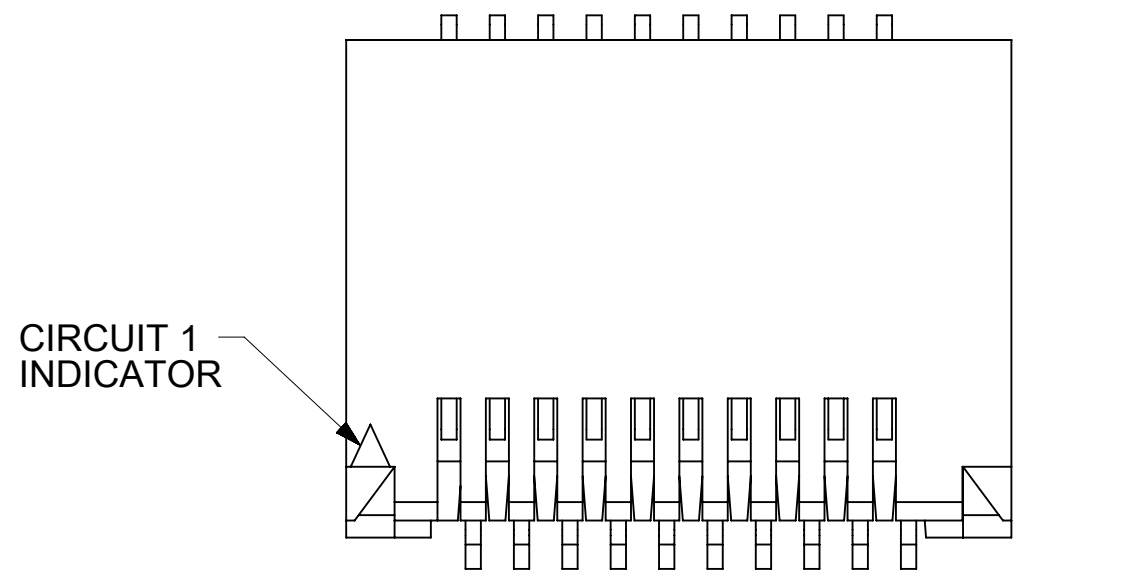
CKT SIZE	PART NUMBER	TOOLED	DESCRIPTION	DIMENSIONS				MULTI-SOURCE AGREEMENT	CIRCUIT BOARD LAYOUT
				"A"	"B"	"C"	"D"		
20	74441-0001	YES	PLATED PER NOTE 2	1.10/.043	11.00/.433	9.40/.370	9.60/.378	SFP	SEE SHEET 3
	74441-0004	NO*	PLATED PER NOTE 2	0.76/.030					
	74441-0010	YES	PLATED PER NOTE 3	1.10/.043					
	74441-0014	NO*	PLATED PER NOTE 3	0.76/.030					
	74441-0031	YES	PLATED PER NOTE 4	1.10/.043					
	74441-0041	YES	PLATED PER NOTE 5	1.10/.043					
30	74441-0007	YES	PLATED PER NOTE 2	1.10/.043	15.00/.591	13.40/.528	13.60/.535	XFP	SEE SHEET 4
	74441-0017	YES	PLATED PER NOTE 3	1.10/.043					
	74441-0009	YES	PLATED PER NOTE 2	1.10/.043					
	74441-0019	YES	PLATED PER NOTE 3	1.10/.043					
40	74441-0037	YES	PLATED PER NOTE 4	1.10/.043	19.00/.748	17.40/.685	17.60/.693		SEE SHEET 5
	74441-0005	YES	PLATED PER NOTE 2	1.10/.043					
	74441-0015	YES	PLATED PER NOTE 3	1.10/.043					
50	74441-0035	YES	PLATED PER NOTE 4	1.10/.043	23.00/.906	21.40/.843	21.60/.850		SEE SHEET 6
	74441-0008	YES	PLATED PER NOTE 2	1.10/.043					
	74441-0018	YES	PLATED PER NOTE 3	1.10/.043					
70	74441-0038	YES	PLATED PER NOTE 5	1.10/.043	31.00/1.220	29.40/1.517	29.60/1.165	XENPAK XPAK X2	SEE SHEET 7
	74441-0003	YES	PLATED PER NOTE 2	1.10/.043					
	74441-0013	YES	PLATED PER NOTE 3	1.10/.043					
	74441-0033	YES	PLATED PER NOTE 4	1.10/.043					

NOTES

- MATERIAL:**
HOUSING - HIGH TEMPERATURE THERMOPLASTIC GLASS FILLED, UL 94V-0, BLACK
TERMINALS - COPPER ALLOY
- PLATING (SEE TABLE):**
CONTACT AREA - 0.38 MICROMETER MINIMUM GOLD OVER NICKEL
SOLDER FOOT AREA - 2.54 MICROMETER MINIMUM TIN OVER NICKEL
- PLATING (SEE TABLE):**
CONTACT AREA - 0.76 MICROMETER MINIMUM GOLD OVER NICKEL
SOLDER AREA - 2.54 MICROMETER MINIMUM TIN OVER NICKEL
- PLATING (SEE TABLE):**
CONTACT AREA - 0.76 MICROMETER MINIMUM GOLD OVER
2.54 MICROMETERS MINIMUM NICKEL.
SOLDER AREA: GOLD FLASH OVER NICKEL.
- PLATING (SEE TABLE):**
CONTACT AREA - 0.38 MICROMETER MINIMUM GOLD OVER NICKEL;
SOLDER AREA: GOLD FLASH OVER NICKEL.
- SOLDER FEET COPLANAR WITHIN 0.10/.004 FOR 20, 30 AND 40 CIRCUIT CONNECTORS,
WITHIN 0.15/.006 FOR 50 AND 70 CIRCUIT CONNECTORS
- * CONTACT PLANT FOR MORE INFORMATION
- DATE CODE: 4 DIGIT (3 DIGIT DAY, 1 DIGIT YEAR)
- THE CIRCUIT 1 INDICATOR MAY VARY IN SIZE AND APPEARANCE.



THIS DRAWING CONTAINS INFORMATION THAT IS PROPRIETARY TO MOLEX ELECTRONIC TECHNOLOGIES, LLC AND SHOULD NOT BE USED WITHOUT WRITTEN PERMISSION									
DIMENSION UNITS		SCALE		CURRENT REV/DESC: CORRECT DIMENSION					
MM/IN		8:1		 SALES ASSEMBLY Z AXIS PLUGGABLE PCB CONNECTOR					
GENERAL TOLERANCES (UNLESS SPECIFIED)									
		MM	INCH	EC NO: 602779					
4 PLACES		±	±	DRWN: RCHEN55		2018/08/17			
3 PLACES		±	± 0.005	CHK'D: JKACHLIC		2018/08/24			
2 PLACES		± 0.13	± 0.01	APPR: JKACHLIC		2018/08/24			
1 PLACE		± 0.25	±	INITIAL REVISION:					
0 PLACES		±	±	DRWN: HAVERY		00/04/06			
ANGULAR TOL		± 0.5 °		APPR: MBANAKIS		00/04/06			
DRAFT WHERE APPLICABLE MUST REMAIN WITHIN DIMENSIONS				THIRD ANGLE PROJECTION		DRAWING		SERIES	
						C-SIZE		74441	
DOCUMENT NUMBER		DOC TYPE		DOC PART		REVISION			
SD-74441-001		PSD		001		AB			
MATERIAL NUMBER		CUSTOMER		SHEET NUMBER					
SEE TABLE		GENERAL MARKET		1 OF 7					



THIS DRAWING CONTAINS INFORMATION THAT IS PROPRIETARY TO MOLEX ELECTRONIC TECHNOLOGIES, LLC AND SHOULD NOT BE USED WITHOUT WRITTEN PERMISSION

DIMENSION UNITS		SCALE		CURRENT REV DESC: CORRECT DIMENSION			
MM/IN		8:1					
GENERAL TOLERANCES (UNLESS SPECIFIED)							
		MM	INCH	EC NO: 602779			
4 PLACES	±			DRWN: RCHEN55	2018/08/17		
3 PLACES	±		± 0.005	CHK'D: JKACHLIC	2018/08/24		
2 PLACES	±	0.13	± 0.01	APPR: JKACHLIC	2018/08/24		
1 PLACE	±	0.25	±	INITIAL REVISION:			
0 PLACES	±			DRWN: HAVERY	00/04/06		
ANGULAR TOL		± 0.5 °		APPR: MBANAKIS	00/04/06		
DRAFT WHERE APPLICABLE MUST REMAIN WITHIN DIMENSIONS				THIRD ANGLE PROJECTION	DRAWING	SERIES	MATERIAL NUMBER
					C-SIZE	74441	SEE TABLE
				CUSTOMER		SHEET NUMBER	
				GENERAL MARKET		2 OF 7	

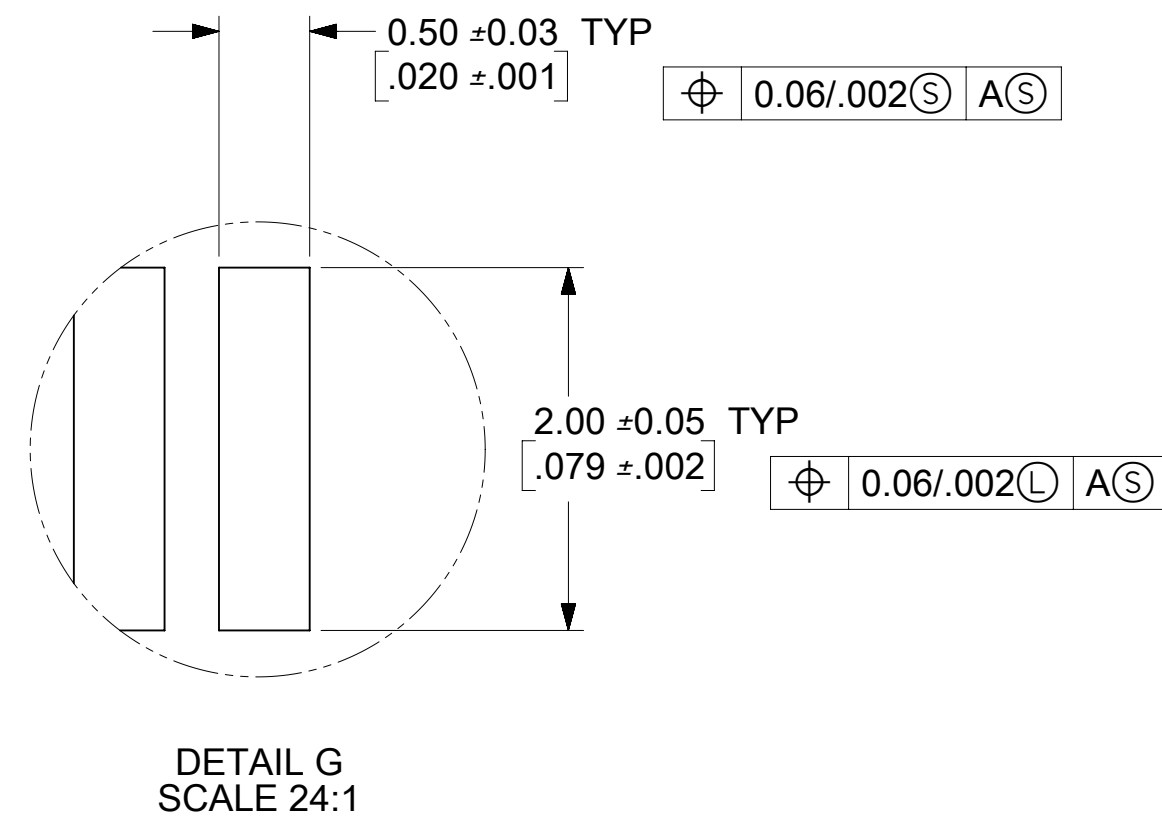
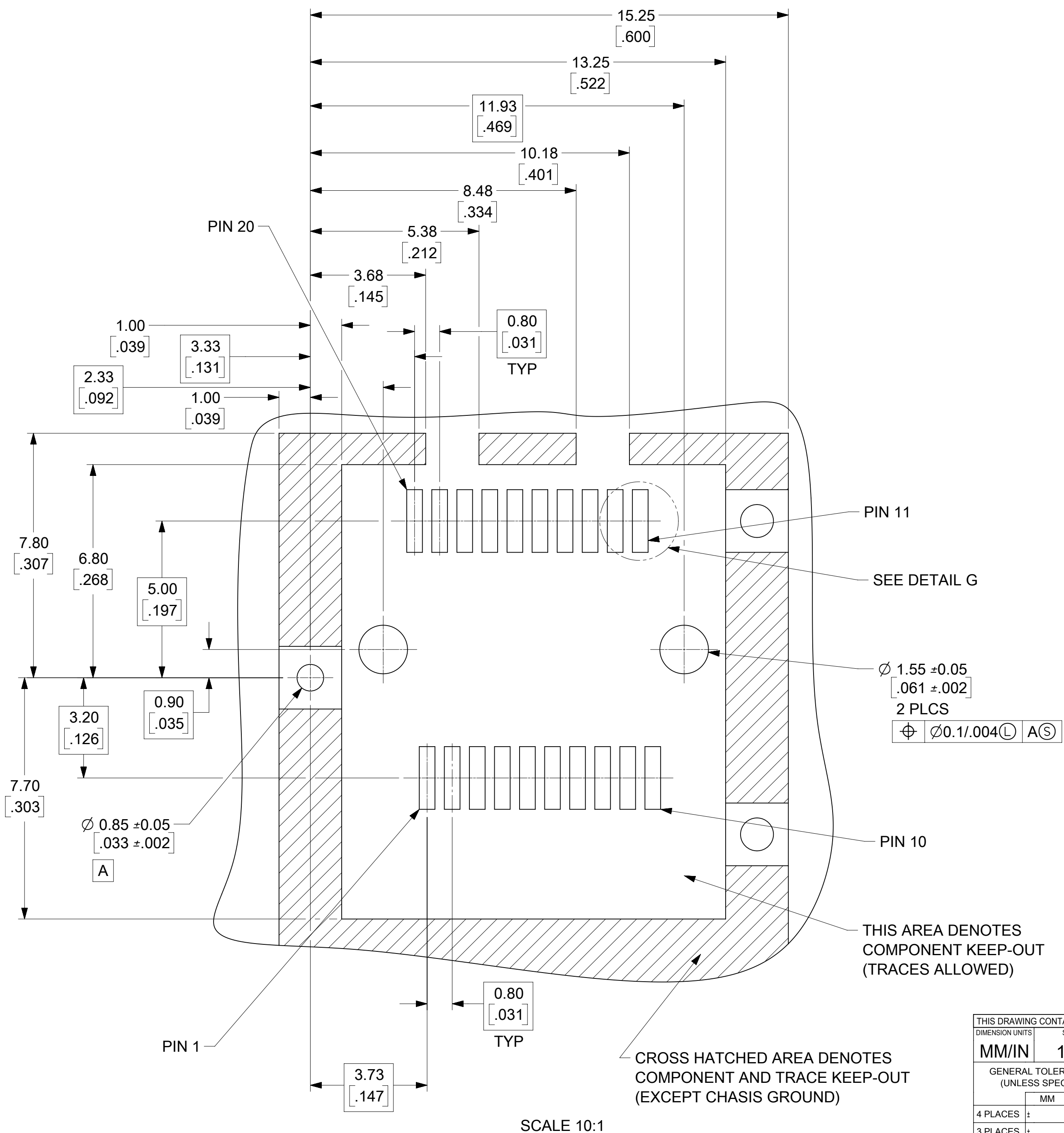
molex

SALES ASSEMBLY
Z AXIS PLUGGABLE PCB CONNECTOR

PRODUCT CUSTOMER DRAWING

DOCUMENT NUMBER	DOC TYPE	DOC PART	REVISION
SD-74441-001	PSD	001	AB

DOCUMENT STATUS	P1	RELEASE DATE	2018/08/24 03:47:16
-----------------	----	--------------	---------------------



20 CIRCUIT MOTHER BOARD RECOMMENDED PCB LAYOUT

THIS AREA DENOTES
COMPONENT KEEP-OUT
(TRACES ALLOWED)

CROSS HATCHED AREA DENOTES
COMPONENT AND TRACE KEEP-OUT
(EXCEPT CHASIS GROUND)

SCALE 10:1

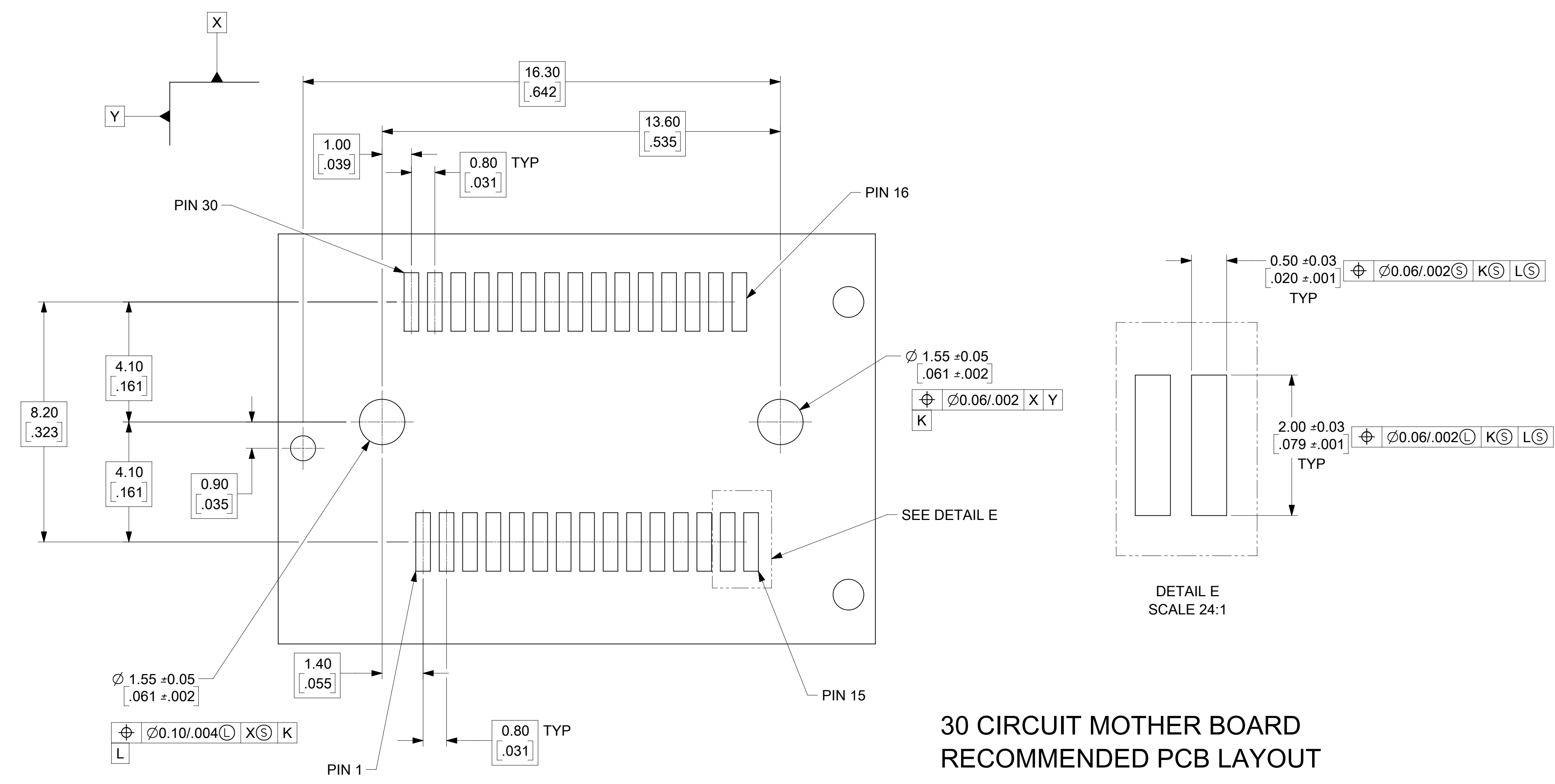
THIS DRAWING CONTAINS INFORMATION THAT IS PROPRIETARY TO MOLEX ELECTRONIC TECHNOLOGIES, LLC AND SHOULD NOT BE USED WITHOUT WRITTEN PERMISSION									
DIMENSION UNITS		SCALE		CURRENT REV DESC: CORRECT DIMENSION					
MM/IN		10:1							
GENERAL TOLERANCES (UNLESS SPECIFIED)									
		MM	INCH	EC NO: 602779					
4 PLACES		±	±	DRWN: RCHEN55		2018/08/17			
3 PLACES		±	± 0.005	CHK'D: JKACHLIC		2018/08/24			
2 PLACES		± 0.13	± 0.01	APPR: JKACHLIC		2018/08/24			
1 PLACE		± 0.25	±	INITIAL REVISION:					
0 PLACES		±	±	DRWN: HAVERY		00/04/06		00/04/06	
ANGULAR TOL		± 0.5 °		APPR: MBANAKIS					
DRAFT WHERE APPLICABLE MUST REMAIN WITHIN DIMENSIONS		THIRD ANGLE PROJECTION		DRAWING		SERIES		MATERIAL NUMBER	
		C-SIZE		74441		SEE TABLE		CUSTOMER	
						GENERAL MARKET		SHEET NUMBER	
								3 OF 7	

molex

SALES ASSEMBLY
Z AXIS PLUGGABLE PCB CONNECTOR

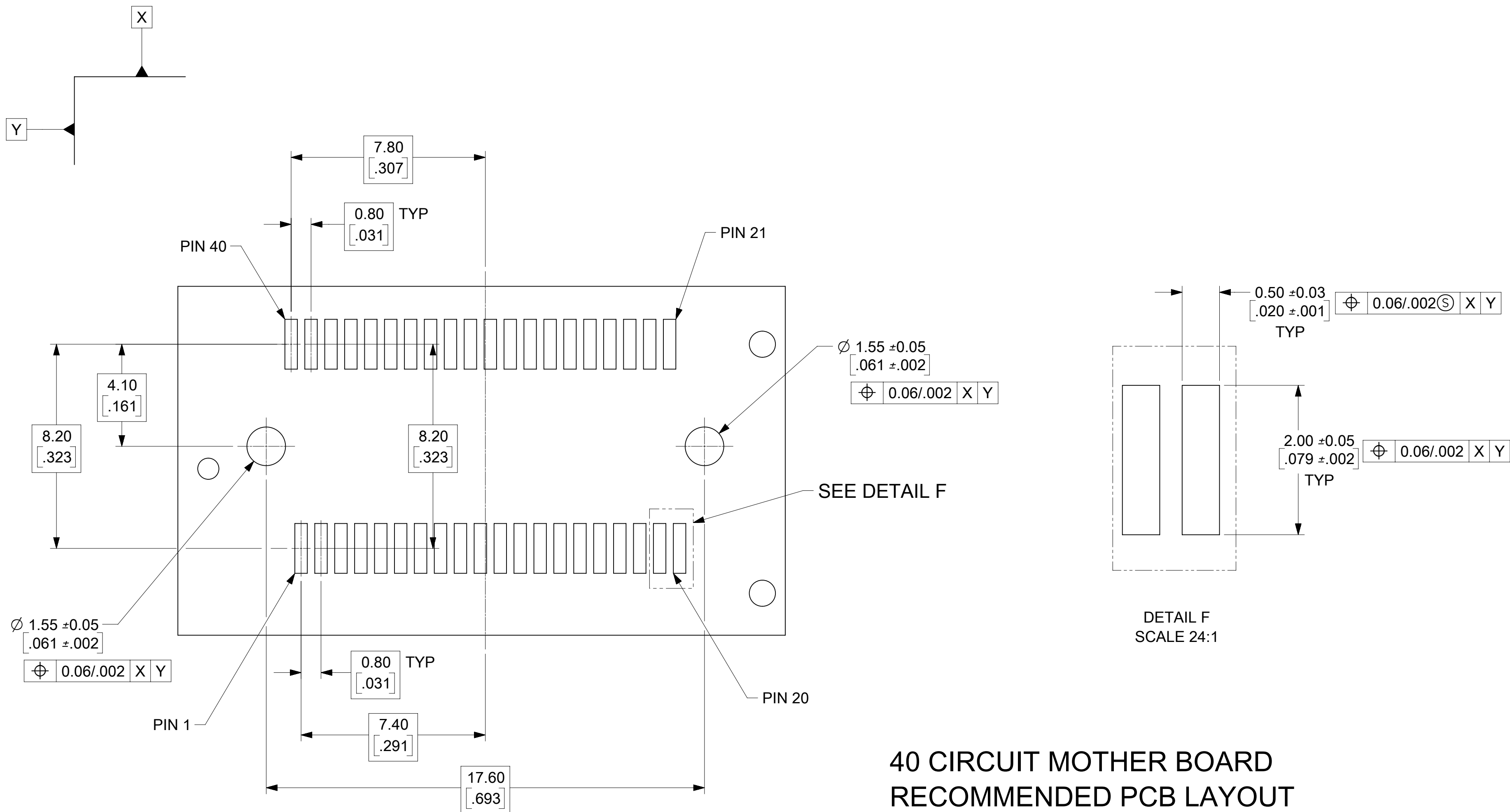
PRODUCT CUSTOMER DRAWING

DOCUMENT NUMBER: SD-74441-001
DOC TYPE: PSD
DOC PART: 001
REVISION: AB



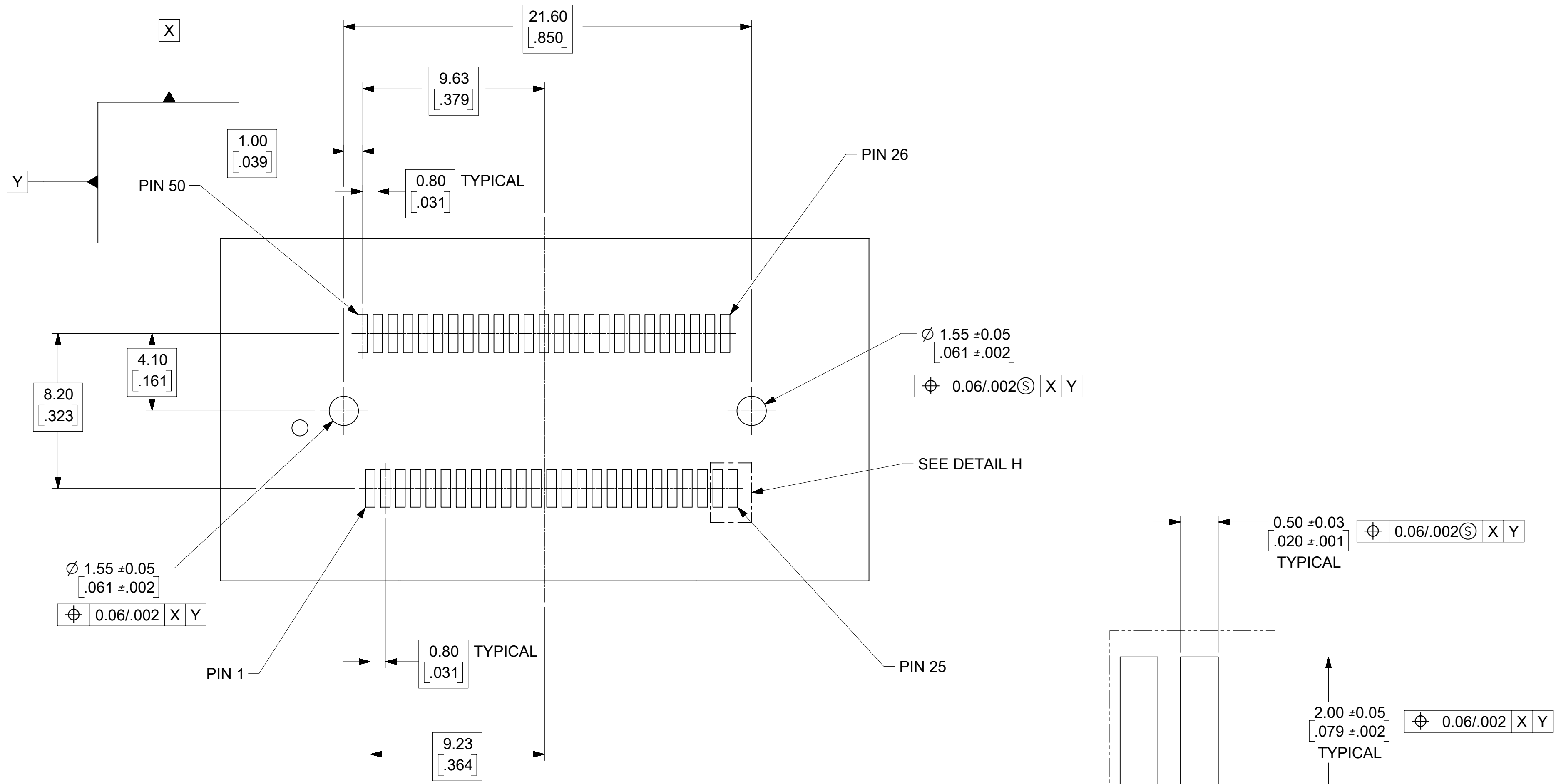
30 CIRCUIT MOTHER BOARD RECOMMENDED PCB LAYOUT

THIS DRAWING CONTAINS INFORMATION THAT IS PROPRIETARY TO MOLEX ELECTRONIC TECHNOLOGIES, LLC AND SHOULD NOT BE USED WITHOUT WRITTEN PERMISSION																																																																								
DIMENSION UNITS		SCALE		CURRENT REV DESC: CORRECT DIMENSION																																																																				
MM/IN		6:1		<table border="1"> <tr> <td colspan="2">GENERAL TOLERANCES (UNLESS SPECIFIED)</td> <td colspan="2">EC NO: 602779</td> <td colspan="2">SALES ASSEMBLY</td> </tr> <tr> <td>4 PLACES</td> <td>±</td> <td>±</td> <td>DRWN: RCHEN55</td> <td colspan="2">2018/08/17</td> </tr> <tr> <td>3 PLACES</td> <td>±</td> <td>± 0.005</td> <td>CHK'D: JKACHLIC</td> <td colspan="2">2018/08/24</td> </tr> <tr> <td>2 PLACES</td> <td>± 0.13</td> <td>± 0.01</td> <td>APPR: JKACHLIC</td> <td colspan="2">2018/08/24</td> </tr> <tr> <td>1 PLACE</td> <td>± 0.25</td> <td>±</td> <td colspan="2">INITIAL REVISION:</td> <td></td> </tr> <tr> <td>0 PLACES</td> <td>±</td> <td>±</td> <td>DRWN: HAVERY</td> <td>00/04/06</td> <td></td> </tr> <tr> <td colspan="2">ANGULAR TOL</td> <td colspan="2">± 0.5 °</td> <td>APPR: MBANAKIS</td> <td>00/04/06</td> <td></td> </tr> <tr> <td colspan="2">DRAFT WHERE APPLICABLE MUST REMAIN WITHIN DIMENSIONS</td> <td colspan="2">THIRD ANGLE PROJECTION</td> <td>DRAWING</td> <td>SERIES</td> <td>MATERIAL NUMBER</td> <td>CUSTOMER</td> <td colspan="2">SHEET NUMBER</td> </tr> <tr> <td colspan="2"></td> <td colspan="2"> </td> <td>C-SIZE</td> <td>74441</td> <td>SEE TABLE</td> <td>GENERAL MARKET</td> <td colspan="2">4 OF 7</td> </tr> </table>						GENERAL TOLERANCES (UNLESS SPECIFIED)		EC NO: 602779		SALES ASSEMBLY		4 PLACES	±	±	DRWN: RCHEN55	2018/08/17		3 PLACES	±	± 0.005	CHK'D: JKACHLIC	2018/08/24		2 PLACES	± 0.13	± 0.01	APPR: JKACHLIC	2018/08/24		1 PLACE	± 0.25	±	INITIAL REVISION:			0 PLACES	±	±	DRWN: HAVERY	00/04/06		ANGULAR TOL		± 0.5 °		APPR: MBANAKIS	00/04/06		DRAFT WHERE APPLICABLE MUST REMAIN WITHIN DIMENSIONS		THIRD ANGLE PROJECTION		DRAWING	SERIES	MATERIAL NUMBER	CUSTOMER	SHEET NUMBER						C-SIZE	74441	SEE TABLE	GENERAL MARKET	4 OF 7	
GENERAL TOLERANCES (UNLESS SPECIFIED)		EC NO: 602779								SALES ASSEMBLY																																																														
4 PLACES	±	±	DRWN: RCHEN55							2018/08/17																																																														
3 PLACES	±	± 0.005	CHK'D: JKACHLIC							2018/08/24																																																														
2 PLACES	± 0.13	± 0.01	APPR: JKACHLIC							2018/08/24																																																														
1 PLACE	± 0.25	±	INITIAL REVISION:																																																																					
0 PLACES	±	±	DRWN: HAVERY	00/04/06																																																																				
ANGULAR TOL		± 0.5 °		APPR: MBANAKIS	00/04/06																																																																			
DRAFT WHERE APPLICABLE MUST REMAIN WITHIN DIMENSIONS		THIRD ANGLE PROJECTION		DRAWING	SERIES	MATERIAL NUMBER	CUSTOMER	SHEET NUMBER																																																																
				C-SIZE	74441	SEE TABLE	GENERAL MARKET	4 OF 7																																																																
molex				SALES ASSEMBLY Z AXIS PLUGGABLE PCB CONNECTOR																																																																				
PRODUCT CUSTOMER DRAWING																																																																								
DOCUMENT NUMBER				DOC TYPE		DOC PART		REVISION																																																																
SD-74441-001				PSD		001		AB																																																																



THIS DRAWING CONTAINS INFORMATION THAT IS PROPRIETARY TO MOLEX ELECTRONIC TECHNOLOGIES, LLC AND SHOULD NOT BE USED WITHOUT WRITTEN PERMISSION													
DIMENSION UNITS		SCALE		CURRENT REV DESC: CORRECT DIMENSION									
MM/IN		8:1		molex SALES ASSEMBLY Z AXIS PLUGGABLE PCB CONNECTOR PRODUCT CUSTOMER DRAWING									
GENERAL TOLERANCES (UNLESS SPECIFIED)										EC NO: 602779		2018/08/17	
4 PLACES		±								DRWN: RCHEN55		2018/08/24	
3 PLACES		± 0.005								CHK'D: JKACHLIC		2018/08/24	
2 PLACES		± 0.13 ± 0.01								APPR: JKACHLIC		2018/08/24	
1 PLACE		± 0.25 ±		INITIAL REVISION:				DOCUMENT NUMBER					
0 PLACES		±		DRWN: HAVERY		00/04/06		SD-74441-001					
ANGULAR TOL		± 0.5 °		APPR: MBANAKIS		00/04/06		DOC TYPE DOC PART REVISION					
DRAFT WHERE APPLICABLE MUST REMAIN WITHIN DIMENSIONS				THIRD ANGLE PROJECTION		DRAWING		MATERIAL NUMBER					
				C-SIZE		SERIES		CUSTOMER					
						74441		GENERAL MARKET					
								SHEET NUMBER					
								5 OF 7					

DOCUMENT STATUS	P1	RELEASE DATE	2018/08/24	03:47:16
-----------------	----	--------------	------------	----------

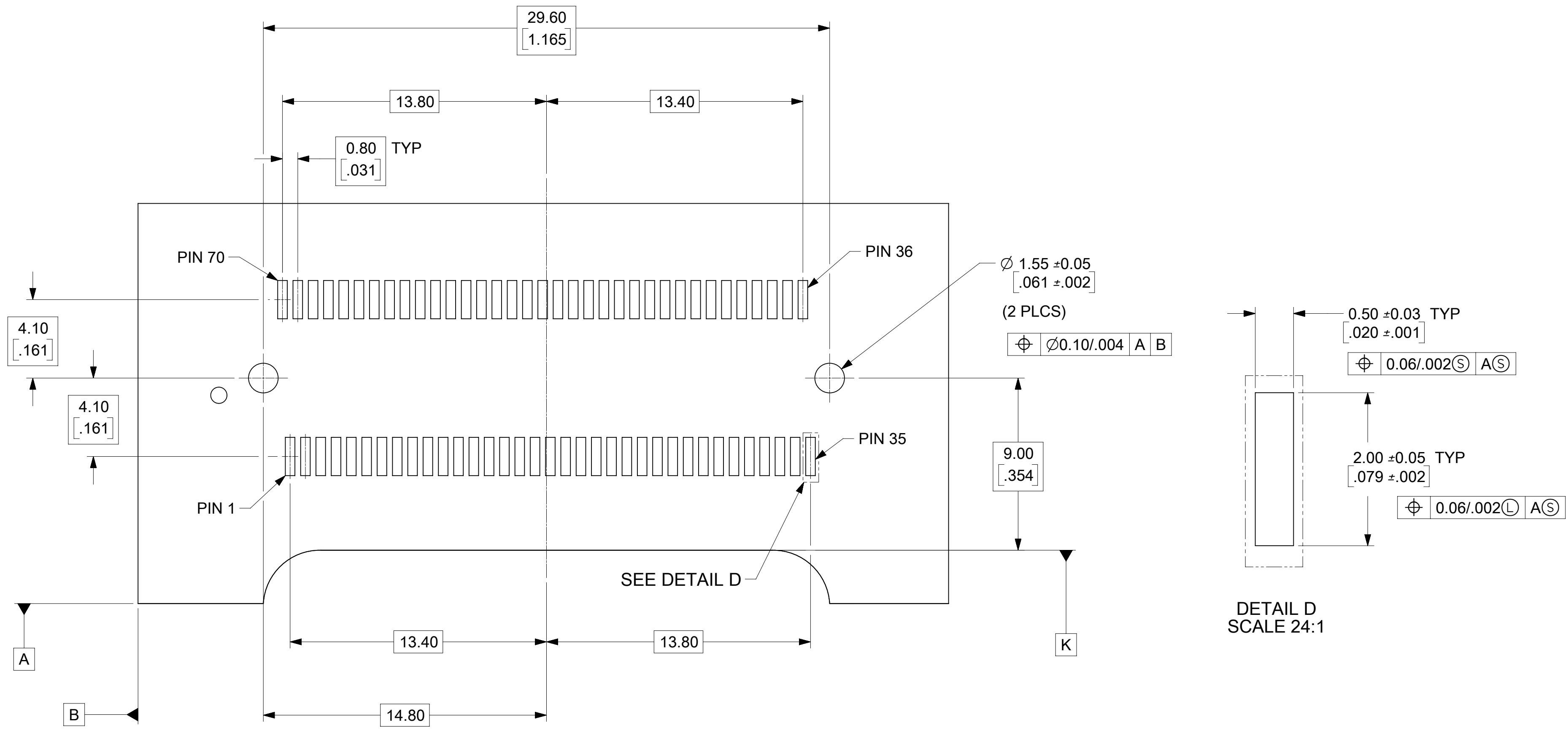


50 CIRCUIT MOTHER BOARD RECOMMENDED PCB LAYOUT

DETAIL H
SCALE 24:1

THIS DRAWING CONTAINS INFORMATION THAT IS PROPRIETARY TO MOLEX ELECTRONIC TECHNOLOGIES, LLC AND SHOULD NOT BE USED WITHOUT WRITTEN PERMISSION

DIMENSION UNITS MM/IN		SCALE 6:1		CURRENT REV DESC: CORRECT DIMENSION							
GENERAL TOLERANCES (UNLESS SPECIFIED)				EC NO: 602779							
		MM	INCH	DRWN: RCHEN55		2018/08/17		SALES ASSEMBLY			
4 PLACES \pm				CHK'D: JKACHLIC		2018/08/24		Z AXIS PLUGGABLE PCB CONNECTOR			
3 PLACES \pm			± 0.005	APPR: JKACHLIC		2018/08/24		PRODUCT CUSTOMER DRAWING			
2 PLACES \pm		0.13	± 0.01	INITIAL REVISION:				DOCUMENT NUMBER			
1 PLACE \pm		0.25	\pm	DRWN: HAVERY				00/04/06		DOC TYPE	
0 PLACES \pm			\pm	APPR: MBANAKIS				00/04/06		DOC PART	
ANGULAR TOL $\pm 0.5^\circ$				THIRD ANGLE PROJECTION		DRAWING		SERIES		REVISION	
DRAFT WHERE APPLICABLE MUST REMAIN WITHIN DIMENSIONS				C-SIZE		74441		MATERIAL NUMBER		SHEET NUMBER	
				SEE TABLE		GENERAL MARKET		SD-74441-001		PSD 001 AB	
								CUSTOMER		6 OF 7	
								GENERAL MARKET			



70 CIRCUIT MOTHER BOARD RECOMMENDED PCB LAYOUT

THIS DRAWING CONTAINS INFORMATION THAT IS PROPRIETARY TO MOLEX ELECTRONIC TECHNOLOGIES, LLC AND SHOULD NOT BE USED WITHOUT WRITTEN PERMISSION									
DIMENSION UNITS		SCALE		CURRENT REV DESC: CORRECT DIMENSION					
MM/IN		6:1		molex SALES ASSEMBLY Z AXIS PLUGGABLE PCB CONNECTOR PRODUCT CUSTOMER DRAWING					
GENERAL TOLERANCES (UNLESS SPECIFIED)									
	MM	INCH							
4 PLACES	±								
3 PLACES	±	± 0.005							
2 PLACES	± 0.13	± 0.01		EC NO: 602779		2018/08/17			
1 PLACE	± 0.25	±		DRWN: RCHEN55		2018/08/24			
0 PLACES	±	±		CHK'D: JKACHLIC		2018/08/24			
ANGULAR TOL		± 0.5 °		APPR: JKACHLIC		2018/08/24			
DRAFT WHERE APPLICABLE MUST REMAIN WITHIN DIMENSIONS				THIRD ANGLE PROJECTION		DRAWING		SERIES	
				C-SIZE		74441			
DOCUMENT STATUS		P1		RELEASE DATE		2018/08/24 03:47:16			
SD-74441-001		PSD		001		AB			
MATERIAL NUMBER		CUSTOMER		SHEET NUMBER					
SEE TABLE		GENERAL MARKET		7 OF 7					