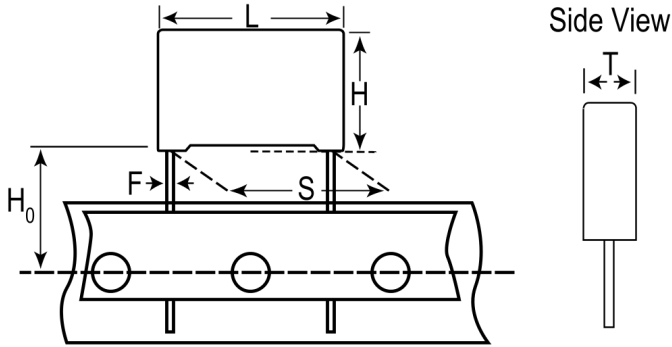


R46KF3150CKPOM

Aliases (46KF3150CKPOM)

R46 275 VAC MINI, Film, Metallized Polypropylene, Safety, 0.15 μ F, 20%, 275 VAC (X2), 560 VDC, 110°C, Lead Spacing = 10mm



Click [here](#) for the 3D model.

Dimensions

L	13mm +0.2/-0.5mm
H	12mm +0.1/-0.5mm
T	6mm +0.2/-0.5mm
S	10mm +0.6/-0.1mm
H ₀	18.5mm +/-0.5mm
F	0.6mm +/-0.05mm

Packaging Specifications

Packaging	T&R, Large
Packaging Quantity	1000

General Information

Series	R46 275 VAC MINI
Dielectric	Metallized Polypropylene
Style	Radial
Features	EMI Safety
RoHS	Yes
Lead	Wire Leads
Safety Class	X2
Qualifications	ENEC, UL, cUL, CQC
AEC-Q200	No
THB Performance	No
Component Weight	1.669 g

Specifications

Capacitance	0.15 μ F
Capacitance Tolerance	20%
Voltage AC	275 VAC (X2)
Voltage DC	560 VDC
Temperature Range	-40/+110°C
Rated Temperature	110°C
Dissipation Factor	0.1% 1kHz
Insulation Resistance	100 GOhms
Max dV/dt	500 V/us