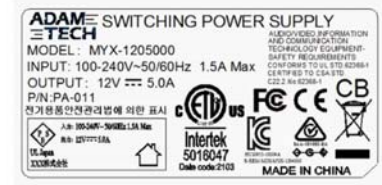
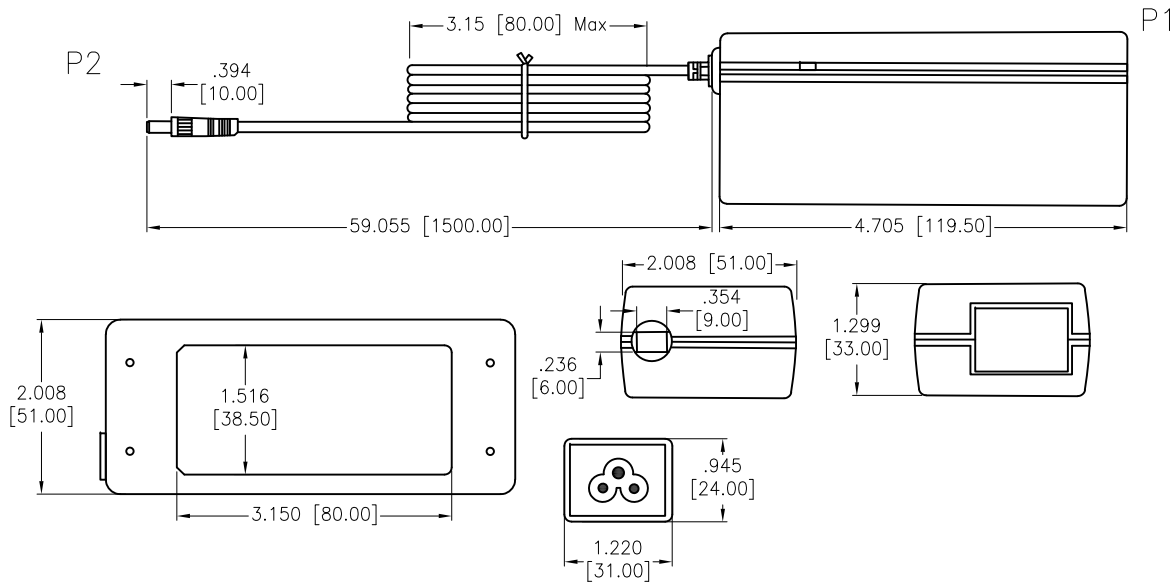


APPROVED: \_\_\_\_\_

DATE: \_\_\_\_\_ TITLE: \_\_\_\_\_

Rev	AWO #	Description	Date	Appr
-		RELEASED	3/24/21	
A		UPDATE DRAWING	4/27/21	WX/AC
B		UPDATE DIM	6/11/21	JJ



**SPECIFICATIONS:**

Connector  
 P1: Power Adapter, W/Strain Relief, Shell: PC+ABS  
 P2: DC Plug, W/Strain Relief, 5.5\*2.1\*10mm

CABLE:  
 UL2464: 18AWG, Jacket Color: Black

Electrical:  
 Input:  
 Voltage: 100Vac to 240Vac  
 Current: 1.5A Max. @ 90Vac input & max load  
 Frequency: 47Hz / 63Hz

Output:  
 Voltage: 12V dc  
 Current: 5A max.  
 Load Regulation: ±5%  
 Line Regulation: ±1%  
 Line Load Regulation-Output Rate: 12V, 5A  
 Insulator Resistance: 10 Mohms min @ 500VDC  
 Dielectric Strength(Hi-pot): 3000V AC For 1 Minute  
 Temperature Rating:  
 Operating Temperature: -20°C to +40°C  
 Storage Temperature: -20°C to +75°C

Environmental:  
 Lead free, RoHS compliant.

UNLESS OTHERWISE SPECIFIED ALL DIMENSIONS ARE INCHES [MM]. TOLERANCES: EXCEPT AS NOTED			909 Rahway Avenue, Union, NJ 07083 Phone: 908-687-5000 Fax: 908-687-5710		
INCHES: .X ±.10, .XX ±.020, .XXX ±.015 HOLES: Ø.X ±.10, Ø.XX ±.015, Ø.XXX ±.010					
DRAWN	WX	3/24/21	TITLE SWITCHING POWER SUPPLY, 12 VOLT, 5AMP, UL2464 18AWG, 5.5X2.5X10MM, COLOR BLACK		
CHECKED	AC	3/24/21			
APPROVED					
THIS DRAWING CONTAINS INFORMATION THAT IS PROPRIETARY AND SHOULD NOT BE USED WITHOUT PRIOR WRITTEN PERMISSION FROM ADAM TECH			SIZE X	PART NO. PA-011	REV. B
REF:			SCALE: NTS	SHEET 1 OF 1	