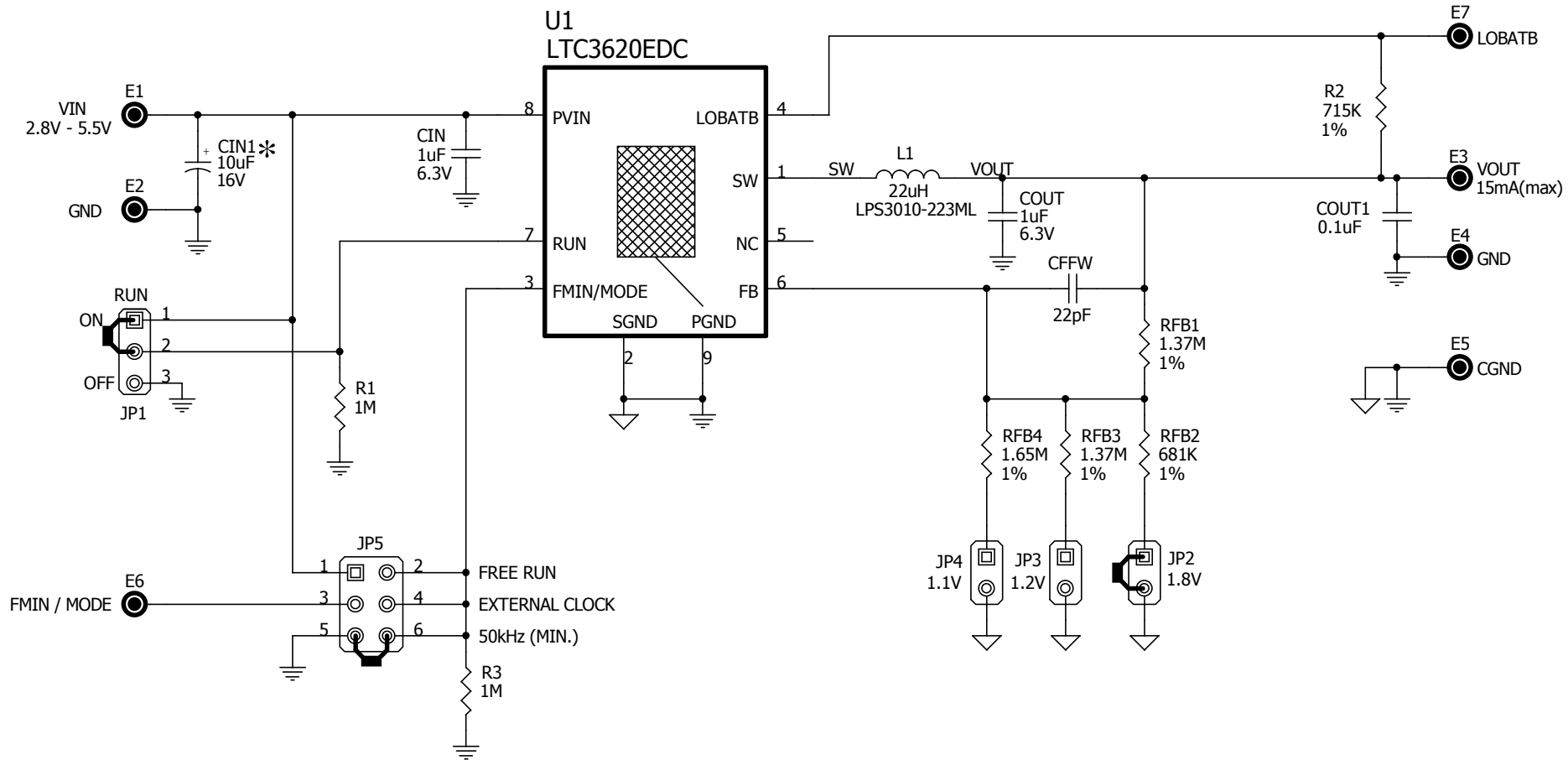


* CIN1 IS AN OPTIONAL CAPACITOR. IT IS INSERTED ON THE DC1460A TO DAMPEN THE (POSSIBLE) RINGING VOLTAGE DUE TO THE LONG INPUT LEADS. ON A NORMAL, TYPICAL PCB, WITH SHORT TRACES, THE CAPACITOR IS NOT NEEDED.

REVISION #				REVISION HISTORY		
SD	PC	AD	FD	DESCRIPTION	DATE	APPROVED
0	0	0	0	1st Release		
2	2	1	2	L1 from "LPS3010" to "LPS3008" series.	4/9/09	ChuenmingT
3	2	1	2	L1 from "LPS3008" to "LPS3010" series.	6/26/09	ChuenmingT



This circuit is proprietary to Linear Technology and supplied for use with Linear Technology parts.
Customer Notice: Linear Technology has made a best effort to design a circuit that meets customer-supplied specifications; however, it remains the customers responsibility to verify proper and reliable operation in the actual application, Component substitution and printed circuit board layout may significantly affect circuit performance or reliability. Contact Linear Applications Engineering for assistance.

APPROVALS		LINEAR TECHNOLOGY CORPORATION 1630 MCCARTHY BLVD MILPITAS, CA. 95035 (408)432-1900 (408)434-0507 (FAX)		www.linear.com LTC Confidential - For Customer Use Only
DRAWN: Rudy Bautista		ENGINEER: Tom Gross/Chuen MT		Title: LTC3620EDC High Efficiency Monolithic Buck Regulator
APPROVED:		SD		
CHECKED:		Document Number		Demo Circuit 1460A
Date: Tuesday, August 04, 2009		C:\ORCADWIN\CAPTURE\1357A\1460A_REV3.DSN		Rev 3
			Sheet 1 of 1	