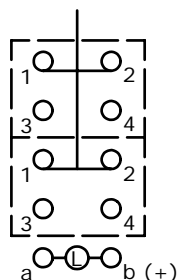
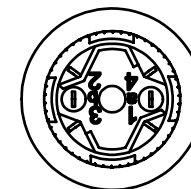
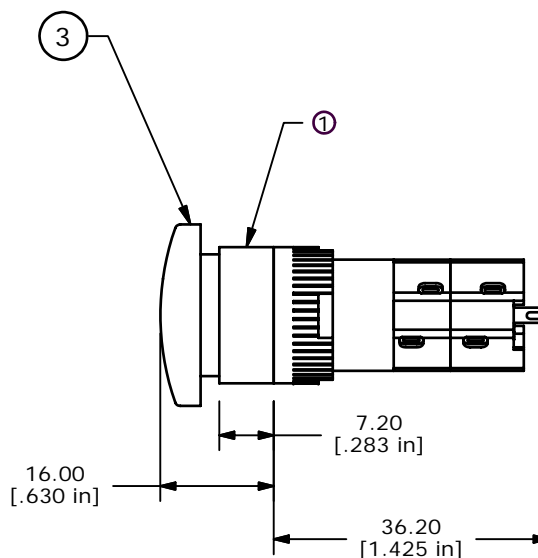
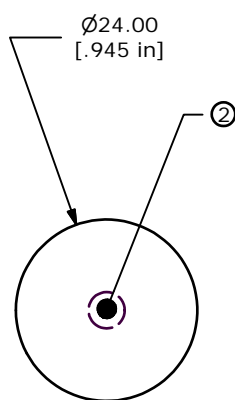


PARTS LIST			
ITEM	QTY	PART NUMBER	DESCRIPTION
1	1	F040027	D16OAR12
2	1	F050405	50-004-05 28V AC/DC 40mA INCANDESCENT BULB
3	1	F051212	50-012-41 MUSHROOM CAP RED (TRANSPARENT)

PANEL MOUNTING



▲ DPST CONTACT CONFIGURATION



jk:ljk

NOTE:

1. ALL DIMENSIONS IN MM [INCH].
2. GENERAL TOLERANCE: X.X=±0.4
X.XX=±0.25
3. TERMINAL NUMBERS FOR REF ONLY.
4. RATING: 5A @ 250VAC UL, VDE
8A @ 125VAC UL, VDE
6A @ 24VDC
0.2A @ 250VDC
5. ELECTRICAL LIFE: 50,000 MAKE-AND-BREAK CYCLES
AT FULL LOAD min.
6. INSULATION RESISTANCE: 1,000 MEGA-OHM min.
7. OPERATING TEMP.: -25°C to +55°C
8. LAMP: 28 V(AC or DC) 40 mA INCANDESCENT
9. PANEL THICKNESS = 0.5mm TO 5.0 mm
10. ▲ DENOTES CRITICAL PARAMETER.
11. PACKAGE: BOX / 20 PIECES PER BOX
12. DEGREE OF PROTECTION: IP40
13. TRAVEL: 3.00 mm.
14. 2002/95/EC (ROHS) COMPLIANT.



A	18478	RELEASED FOR PRODUCTION	4/15/09	BLR
REV	PCR NO	DESCRIPTION	DATE	BY

TITLE D16OAR2CRED				
SCALE	DATE	DR	DWG	REV
2:1	4/15/2009	BLR	XF0792P	A

THE INFORMATION CONTAINED IN THIS DOCUMENT IS PROPRIETARY TO E-SWITCH AND IS NOT TO BE COPIED OR TRANSFERRED