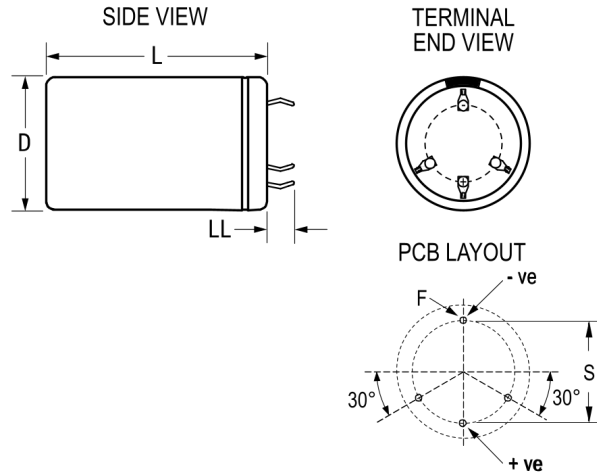


ALC70E132DD200

Aliases (A546EF132M200E)

ALC70, Aluminum Electrolytic, 1,300 uF, 20%, 200 VDC, -40/+85°C



Click [here](#) for the 3D model.

Dimensions

| | |
|----|-----------------|
| D | 35mm +1mm |
| L | 40mm +/-2mm |
| S | 22.5mm +/-0.1mm |
| LL | 4mm +/-1mm |
| F | 2mm +/-0.1mm |

Packaging Specifications

| | |
|-----------|-----------|
| Sleeving | Yes |
| Packaging | Bulk, Bag |

General Information

| | |
|------------------|--------------------------------------|
| Series | ALC70 |
| Dielectric | Aluminum Electrolytic |
| Description | Snap-In, Aluminum Electrolytic |
| RoHS | Yes |
| Lead | 4 Pin Short |
| AEC-Q200 | No |
| Halogen Free | Yes |
| Component Weight | 65 g |
| Notes | Dimensions D And L Include Sleeving. |
| Shelf Life | 156 Weeks |

Specifications

| | |
|-----------------------|---|
| Capacitance | 1,300 uF |
| Capacitance Tolerance | 20% |
| Voltage DC | 200 VDC, 230 VDC (Surge) |
| Temperature Range | -40/+85°C |
| Rated Temperature | 85°C |
| Life | 15000 Hrs (Rated Voltage And Ripple Current At 85C), 24000 Hrs (Rated Voltage at 85C) |
| Resistance | 174 mOhms (100Hz 20C), 110.1 mOhms (10kHz 20C) |
| Ripple Current | 3.325 Amps (100Hz 85C), 6.114 Amps (10kHz 85C) |
| Leakage Current | 1560 uA (5min 20°C) |