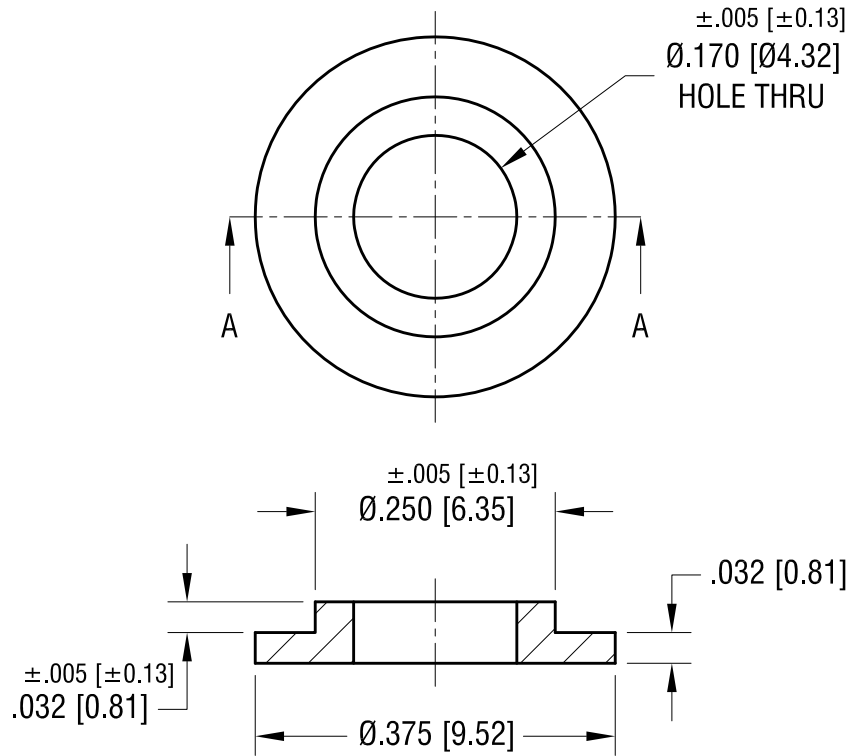


THIS DOCUMENT IS THE PROPERTY OF
KEYSTONE ELECTRONICS CORP. AND
SHALL NOT BE REPRODUCED, DISTRIBUTED
OR USED AS A BASIS FOR MANUFACTURE
WITHOUT PRIOR WRITTEN PERMISSION
FROM KEYSTONE ELECTRONICS CORP.

ACTUAL SIZE



SECTION A-A

KEYSTONE ELECTRONICS CORP.

www.keyelco.com • NEW HYDE PARK NY 11040 • Tel (516)328-7500

PART NAME

NYLON SHOULDER WASHER

MATERIAL

NYLON 6/6

FINISH

NONE

DRN BY

BOONE

DATE

6.21.05

APP'D

RH

SCALE

5X

TOLERANCES

INCH

[MM]

CODE

DWG NO.

DECIMAL

$\pm .010 [\pm 0.25]$

C

7685

ANGULAR

$\pm 1^\circ$

UNLESS OTHERWISE SPECIFIED

DATE	DESCRIPTION	REV.