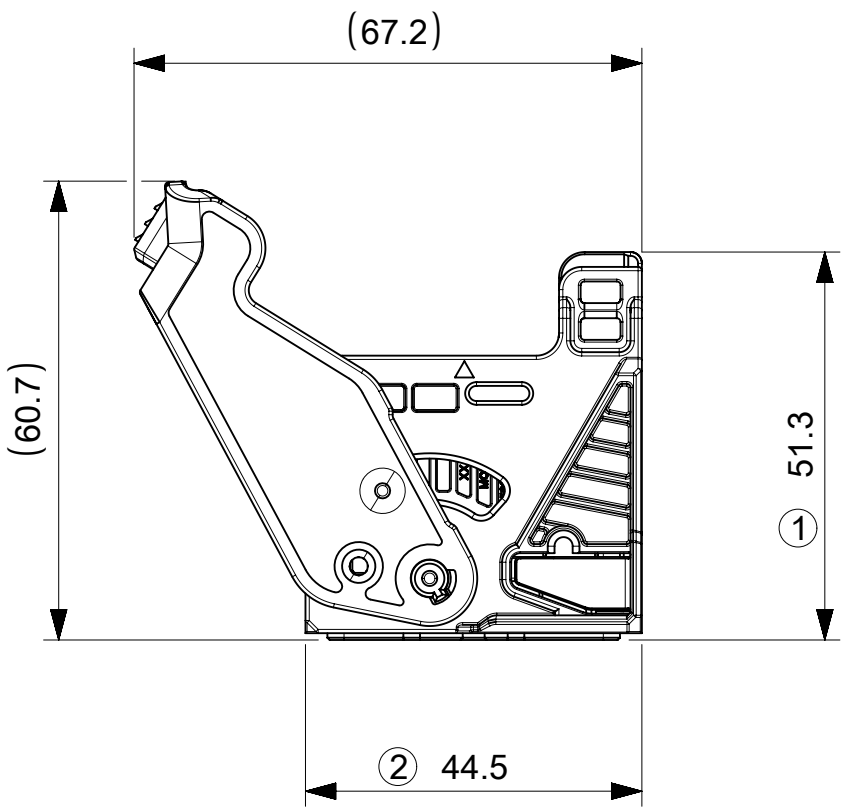
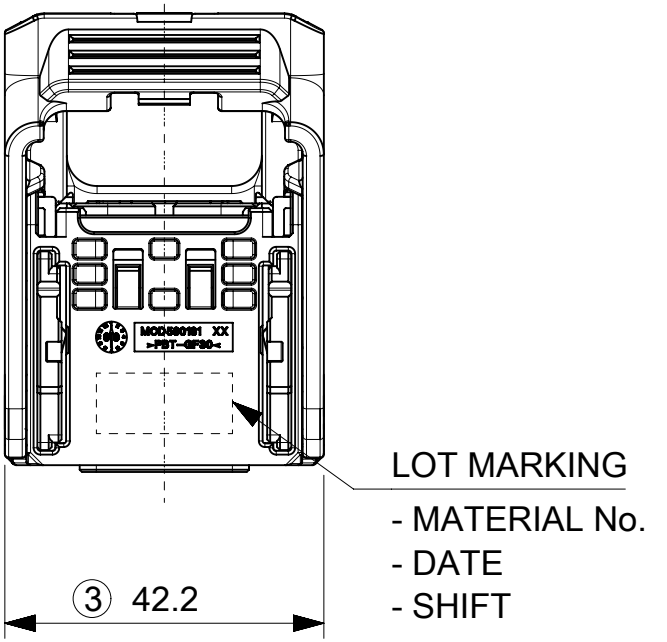
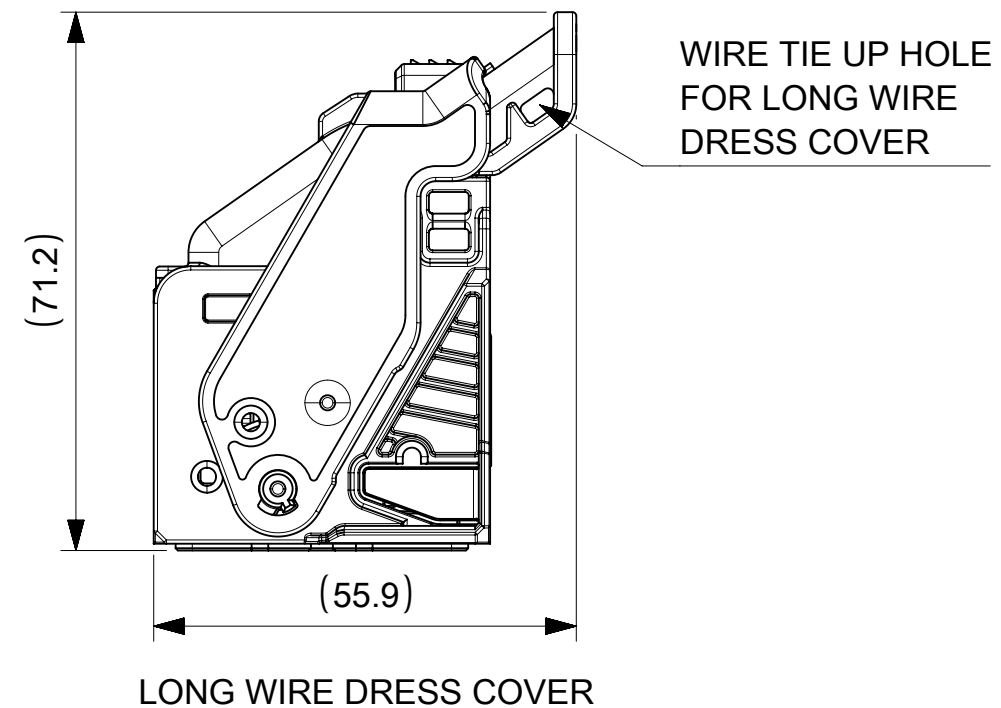
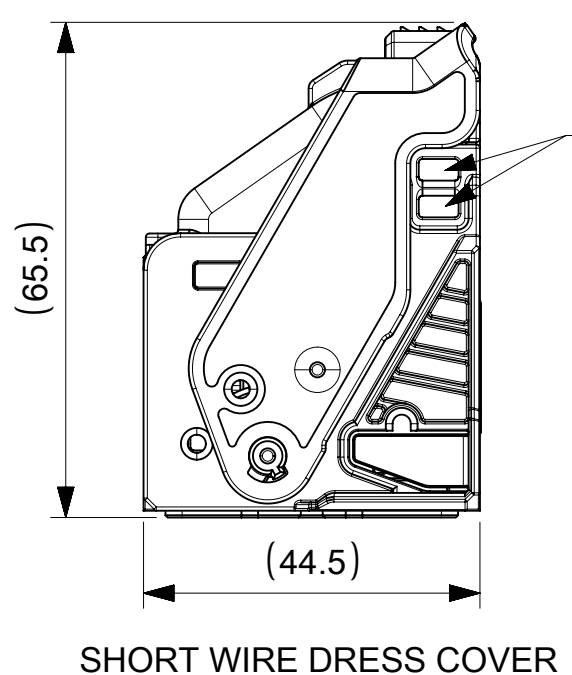
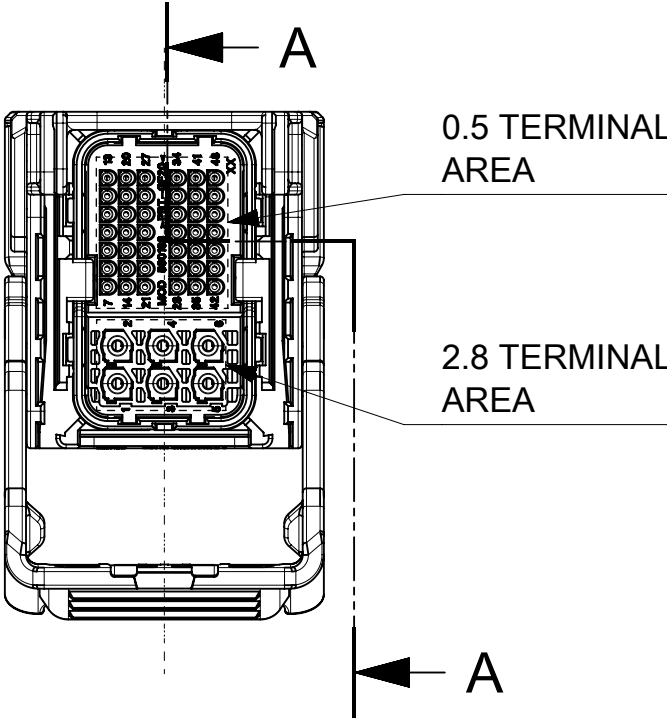


WIRE DRESS COVER OPTION



NOTES

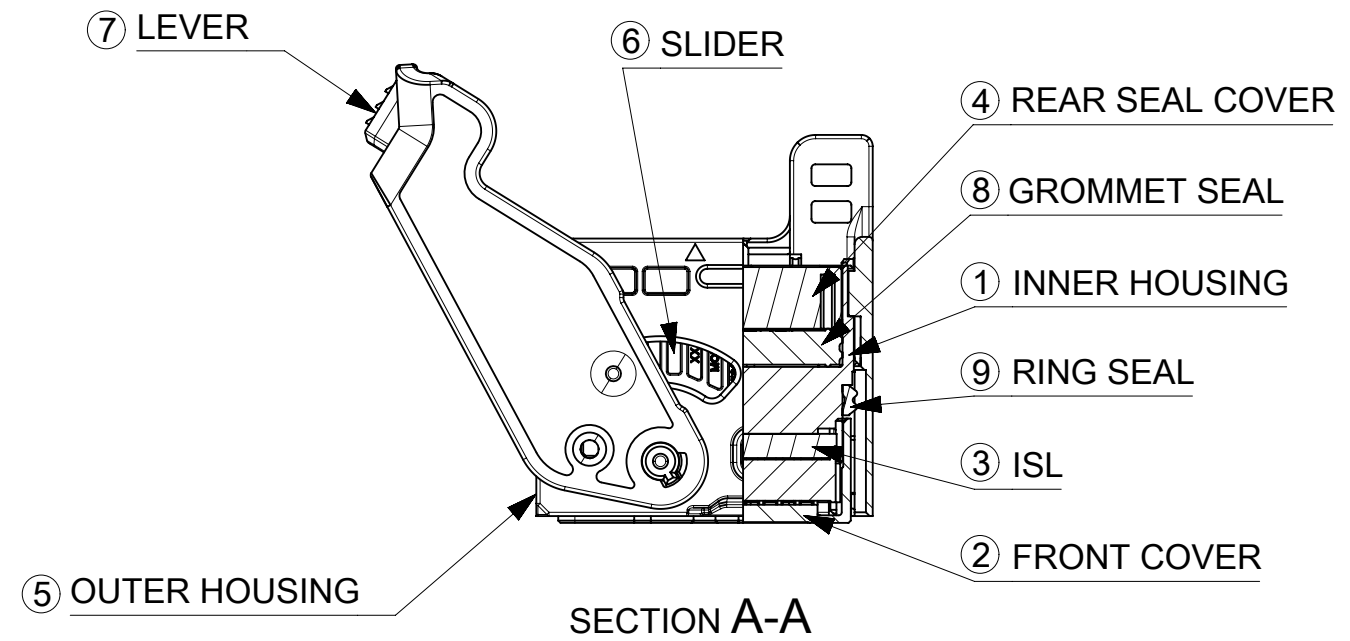
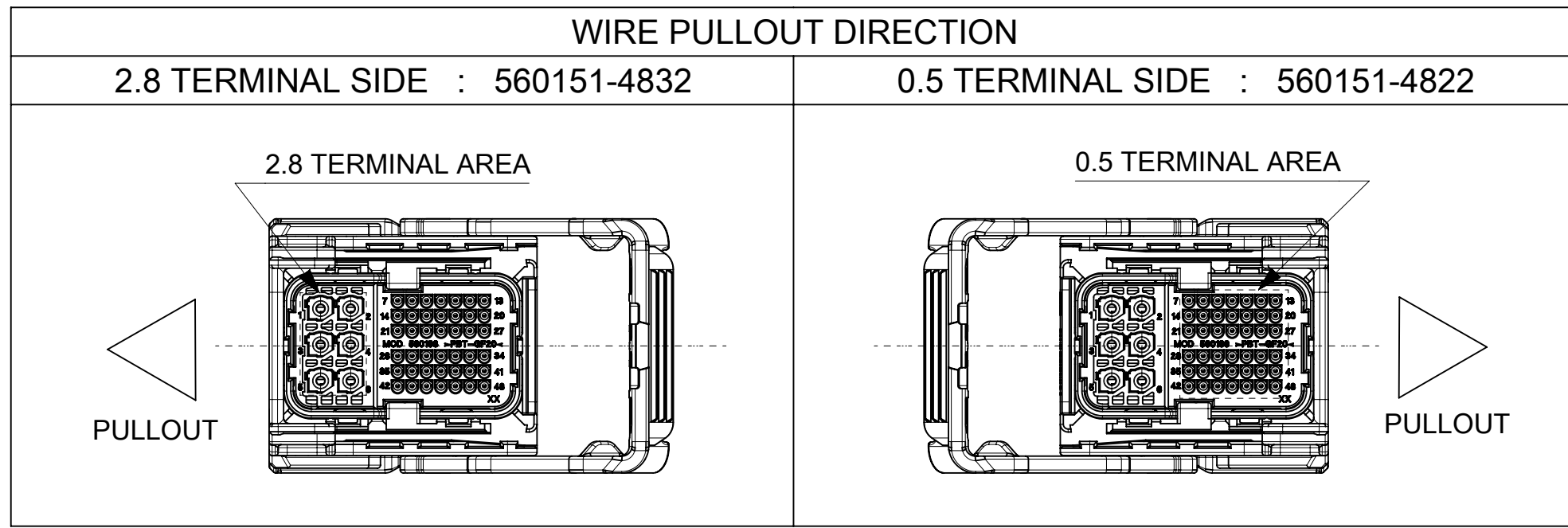
- 1. APPLICABLE TERMINAL
0.5 : 560121 SERIES
2.8 : 560122 SERIES
- 2. APPLICABLE WIRE SIZE
0.5 : REFER AS-560121-001
2.8 : REFER AS-560122-001
- 3. APPLICABLE INSULATION DIAMETER
0.5 : $\varnothing 1.1 \sim 1.7$ mm
2.8 : $\varnothing 2.5 \sim 3.0$ mm
- 4. APPLICABLE DUMMY PLUG
0.5 : 560144-0115
2.8 : 560145-0101
- 5. APPLICABLE WIRE DRESS COVER
SHORT : 560189-0101
LONG : 560189-0111

0.5 TERMINAL SIDE	560151-4822
2.8 TERMINAL SIDE	560151-4832
WIRE PULLOUT DIRECTION	MATERIAL No.

GENERAL TOLERANCES (UNLESS SPECIFIED)		
10 UNDER	±0.3	
10 OVER 30 UNDER	±0.4	
30 OVER	±0.5	
ANGULAR	±5°	

THIS DRAWING CONTAINS INFORMATION THAT IS PROPRIETARY TO MOLEX ELECTRONIC TECHNOLOGIES, LLC AND SHOULD NOT BE USED WITHOUT WRITTEN PERMISSION		CURRENT REV DESC:		molex	
DIMENSION UNITS	SCALE	EC NO: 620306			
mm	1:1	DRWN: KKATO01 2019/06/03		COMPACTUS 48WAY ASSY	
GENERAL TOLERANCES (UNLESS SPECIFIED)		CHK'D: TIIDA01 2019/07/17			
ANGULAR TOL	±	APPR: TOSADA 2019/07/18		PRODUCT CUSTOMER DRAWING	
4 PLACES	±	INITIAL REVISION:			
3 PLACES	±	DRWN: KKATO01 2019/06/03		DOCUMENT NUMBER	
2 PLACES	±	APPR: TOSADA 2019/07/18		5601510002-SD	
1 PLACE	±	DRAWING		DOC TYPE	
0 PLACES	±	A3-SIZE		PSD	
DRAFT WHERE APPLICABLE MUST REMAIN WITHIN DIMENSIONS		THIRD ANGLE PROJECTION		DOC PART	
		SERIES		REVISION	
		560151		000 A	
		MATERIAL NUMBER		SHEET NUMBER	
		SEE TABLE		1 OF 2	
		CUSTOMER			
		GENERAL			

WIRE PULLOUT DIRECTION



No.	PRODUCT NAME	MATERIAL	COLOR
1	INNER HOUSING	PBT, UNFILLED	BLACK
2	FRONT COVER	PBT, GLASS-FILLED	BLACK
3	ISL	PBT, GLASS-FILLED	NATURAL (WHITE)
4	REAR SEAL COVER	PBT, GLASS-FILLED	BLACK
5	OUTER HOUSING	PBT, GLASS-FILLED	BLACK
6	SLIDER	PA, GLASS-FILLED	NATURAL (WHITE)
7	LEVER	PBT, GLASS-FILLED	DARK GRAY
8	GROMMET SEAL	SILICONE RUBBER	DARK BLUE
9	RING SEAL	SILICONE RUBBER	YELLOW

THIS DRAWING CONTAINS INFORMATION THAT IS PROPRIETARY TO MOLEX ELECTRONIC TECHNOLOGIES, LLC AND SHOULD NOT BE USED WITHOUT WRITTEN PERMISSION		CURRENT REV DESC:		molex	
DIMENSION UNITS	SCALE	EC NO: 620306			
mm	1:1	DRWN: KKATO01 2019/06/03		COMPACTUS 48WAY ASSY	
GENERAL TOLERANCES (UNLESS SPECIFIED)		CHK'D: TIIDA01 2019/07/17			
ANGULAR TOL	± °	APPR: TOSADA 2019/07/18		PRODUCT CUSTOMER DRAWING	
4 PLACES	±	INITIAL REVISION:		DOCUMENT NUMBER	
3 PLACES	±	DRWN: KKATO01 2019/06/03		5601510002-SD	
2 PLACES	±	APPR: TOSADA 2019/07/18		DOC TYPE	
1 PLACE	±	THIRD ANGLE PROJECTION		PSD	
0 PLACES	±	DRAWING		DOC PART	
DRAFT WHERE APPLICABLE MUST REMAIN WITHIN DIMENSIONS		SERIES		REVISION	
		A3-SIZE		000 A	
		MATERIAL NUMBER		SHEET NUMBER	
		CUSTOMER		2 OF 2	
		SEE TABLE		GENERAL	