

REV	ECN NO	REVISIONS	DRN	CKD	APP	DATE
A	—	NEW RELEASE	KLJ			

OPERATING CHARACTERISTICS AT 25°C AMBIENT

CHARACTERISTICS	CAT. NO.	LED COLOR	MIN	TYP	MAX	UNITS	TEST CONDITIONS
LUMINOUS INTENSITY	555-4003F	RED	1	2.2		mcd	Vf = 5 VOLTS
	555-4007F	RED	0.4	0.9			
	555-4009F	RED	0.4	0.9			
	555-4303F	GREEN	1.0	3.0			
	555-4403F	YELLOW	1.3	3.7			
FORWARD VOLTAGE	555-4003F	RED	4		8	V	Vf = 5 VOLTS
	555-4007F	RED	2		4		
	555-4009F	RED			2.6		
	555-4303F	GREEN		3.5	6.7		
	555-4403F	YELLOW	2.8	4.7	6.7		
PEAK WAVELENGTH	555-4003F	RED		650		nm	
	555-4007F	RED		650			
	555-4009F	RED		650			
	555-4303F	GREEN		565			
	555-4403F	YELLOW		583			
VIEWING ANGLE	ALL	ALL		90		Degree	

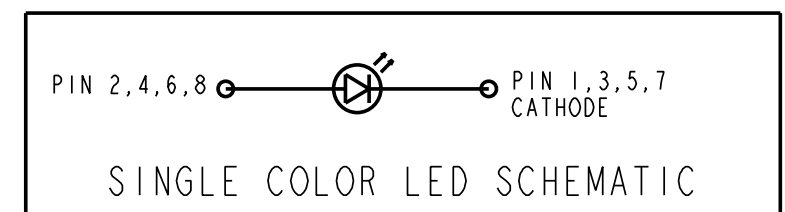
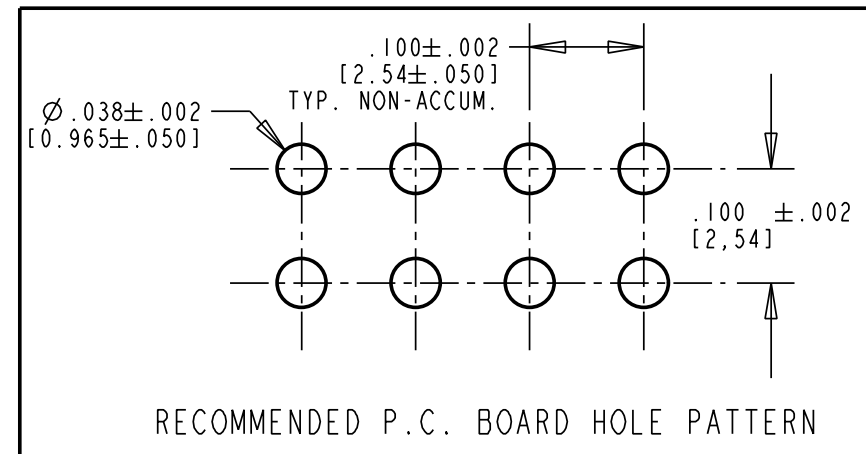
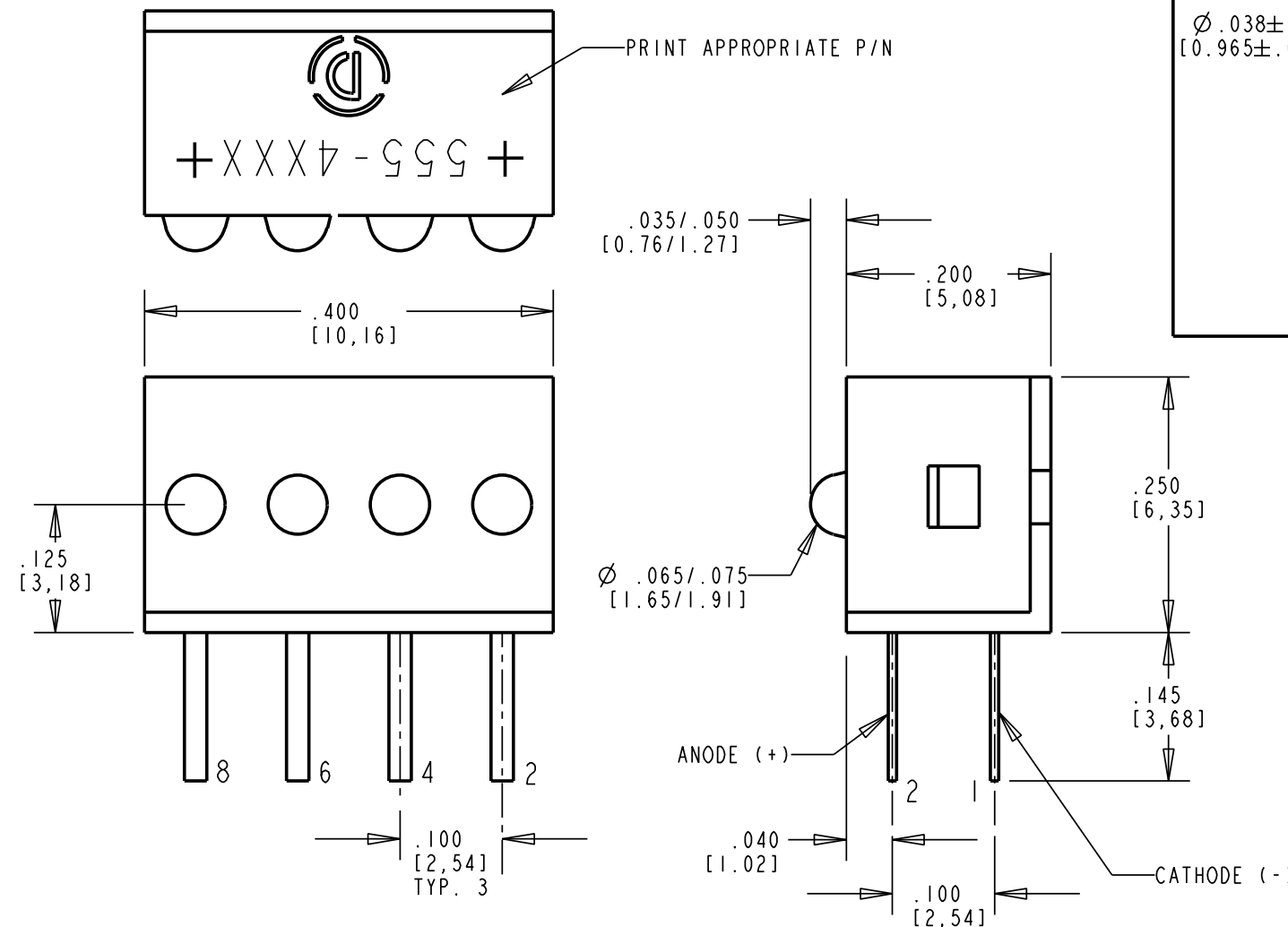
RoHS Compliant 555-4X0XF

Part Numbers with the "F" suffix ending are RoHS Compliant.
 Example: 555-4003F
 Packaging is marked with "RoHS Compliant" label or equivalent markings. Parts can be wave soldered, dip soldered or hand soldered using typical lead-free soldering process with max 260°C temp. for 5 sec.

ABSOLUTE MAXIMUM RATING AT 25°C AMBIENT	555-4003F RED	555-4007F RED	555-4009F RED	555-4303F GREEN	555-4403F YELLOW	UNITS
DC FORWARD VOLTAGE	6	6	6	6	6	V
LEAD SOLDERING TEMPERATURE, 5 SEC., 1/16" FROM BODY	260	260	260	260	260	°C
OPERATING TEMPERATURE	-40 TO +85	-40 TO +85	-40 TO +85	-20 TO +85	-40 TO +85	°C
STORAGE TEMPERATURE	-55 TO +100	-55 TO +100	-55 TO +100	-55 TO +100	-55 TO +100	°C

NOTES:

- PACKAGE 25 PIECES PER FOIL ANTI-STATIC MOISTURE BARRIER BAG WITH DESICCANT. MARK LABEL WITH DIALIGHT LOGO, CATALOG P/N 555-4XXXF, DATE CODE/LOT #, QTY/BAG, COUNTRY OF ORIGIN: MALAYSIA.
- LED LEADS-OLIN 194 COPPER ALLOY WITH PURE Sn.
- DIALIGHT PART NO. 555-4003F, 555-4007F, 555-4009F, 555-4303F, 555-4403F.
- F SUFFIX ENDING P/N ON BAG LABEL ONLY. ACTUAL PART MARKING REMAINS AS 555-4X0X.



THIS DRAWING AND THE CONTENTS HEREIN ARE CONFIDENTIAL AND THE SOLE PROPERTY OF DIALIGHT. REPRODUCTION OF THIS DRAWING OR CONSTRUCTION OF ANY PARTS WITHIN THIS DRAWING ARE FORBIDDEN WITHOUT THE WRITTEN CONSENT OF DIALIGHT.

SCALE: DRAWING SCALE ALL DIM'S IN: INCHES (MM)	DRAWING NUMBER C-17563	REV A
TOLERANCES: UNLESS OTHERWISE SPECIFIED FRACTIONS: ±1/64 DECIMALS (.XX): ±.01 DECIMALS (.XXX): ±.005 DECIMALS (.XXXX): ±.0005 ANGLES: ±1°	TITLE 2mm 5V INT. RESIST. QUAD CBI RoHS COMPLIANT	MATERIAL
FINISH:	1501 ROUTE 34 SOUTH FARMINGDALE, NJ 07727	
FSCM 83330	SHEET 1 OF 1	FAMILY TABLE:

