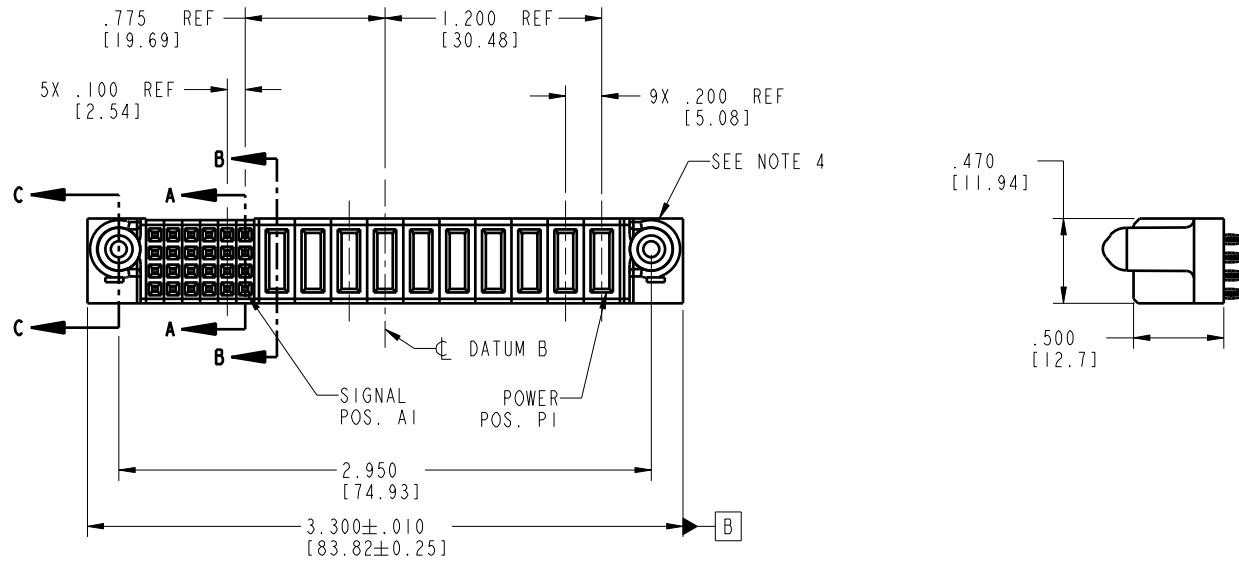


Tous droits strictement réservés. Reproduction ou communication o des liers interdite sous quelque forme que ce soit sans autorisation écrite du propriétaire. Propriété de c FCI. Droits de reproduction FCI.

All rights strictly reserved. Reproduction or issue to third parties in any form without written permission is not permitted without written authority from the proprietor. Property of FCI. Copyright FCI.

PRODUCT NO.	ROWS	SIGNAL					POWER					E1						
		E2	6	5	4	3	2	1	P10	P9	P8		P7	P6	P5	P4	P3	P2
51940-184-- NOTE ③	0 A																	



CODE	DIM "M" MATING LENGTH	CONTACT TYPE
PC	.042 [1.07]	POWER
F	N/A [N/A]	SIGNAL

mat'l code				SEE NOTE 2	tolerances unless otherwise specified		CUSTOMER	A FCI	www.fciconnect.com
lir	ecr no.	dr	date	linear	.XX±.01/0.X±0.3	COPY	projection	title	10P + 24S VERTICAL PF RECEPT
A	DG06-0069	RYAN	02/23/06	angles	.XXX±.005/0.XX±0.13 .XXX±.0020/0.XXX±0.051	INCH/MM			
				dr	RYAN YUAN 02/23/06	scale	size	A	213
				engr	SALLY LUO 02/23/06	1:1	dwg no	51940-184	sheet
				chr	BEER FU 02/23/06				1 of 4
				opod	JOSEPH HSIA 02/23/06				
sheet index	revision	A	A	A	A				
	sheet	1	2	3	4				

code code 22526

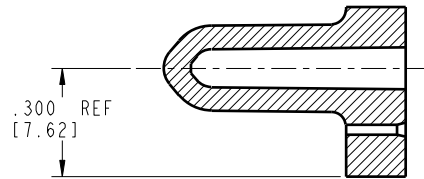
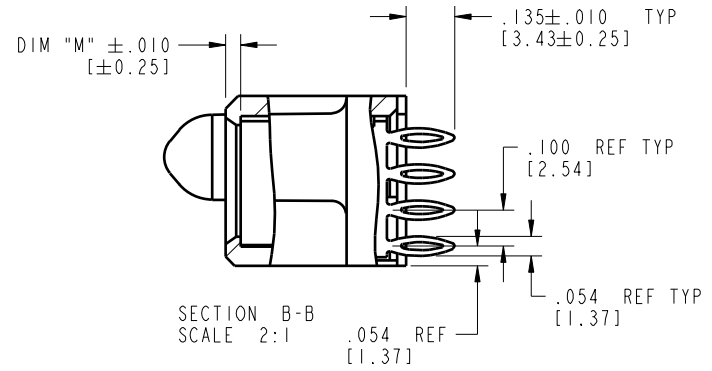
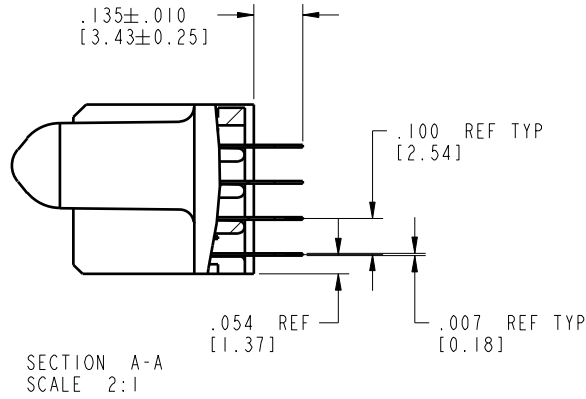
Pro/E

Tous droits strictement réservés. Reproduction ou communication à des tiers interdite sans quelque forme que ce soit sans autorisation écrite du propriétaire. Propriété de c FCI. Droits de reproduction FCI.

All rights strictly reserved. Reproduction or issue to third parties in any form whatsoever is not permitted without written authority from the proprietor. Property of FCI. Copyright FCI.

PRODUCT NUMBER

51940-184--
NOTE ③



SECTION C-C
SCALE 2:1

mat'l code				SEE NOTE 2	tolerances unless otherwise specified		CUSTOMER		A FCI	www.fciconnect.com	
lir	ecn no.	dr	date	linear	.XX±.01/0.X±0.3	COPY		projection			title
A					.XXX±.005/0.XX±0.13	INCH/MM			product family	PwrBlade	
				angles	.XXX±.002/0.XXX±0.051	scale		size			dwg no
				dr	0°±2°	1:1			A	51940-184	
				engr	RYAN YUAN 02/23/06			code			213
				chr	SALLY LUO 02/23/06				sheet	2 of 4	
				appd	BEER FU 02/23/06						
sheet index		revision sheet									

code code 22526

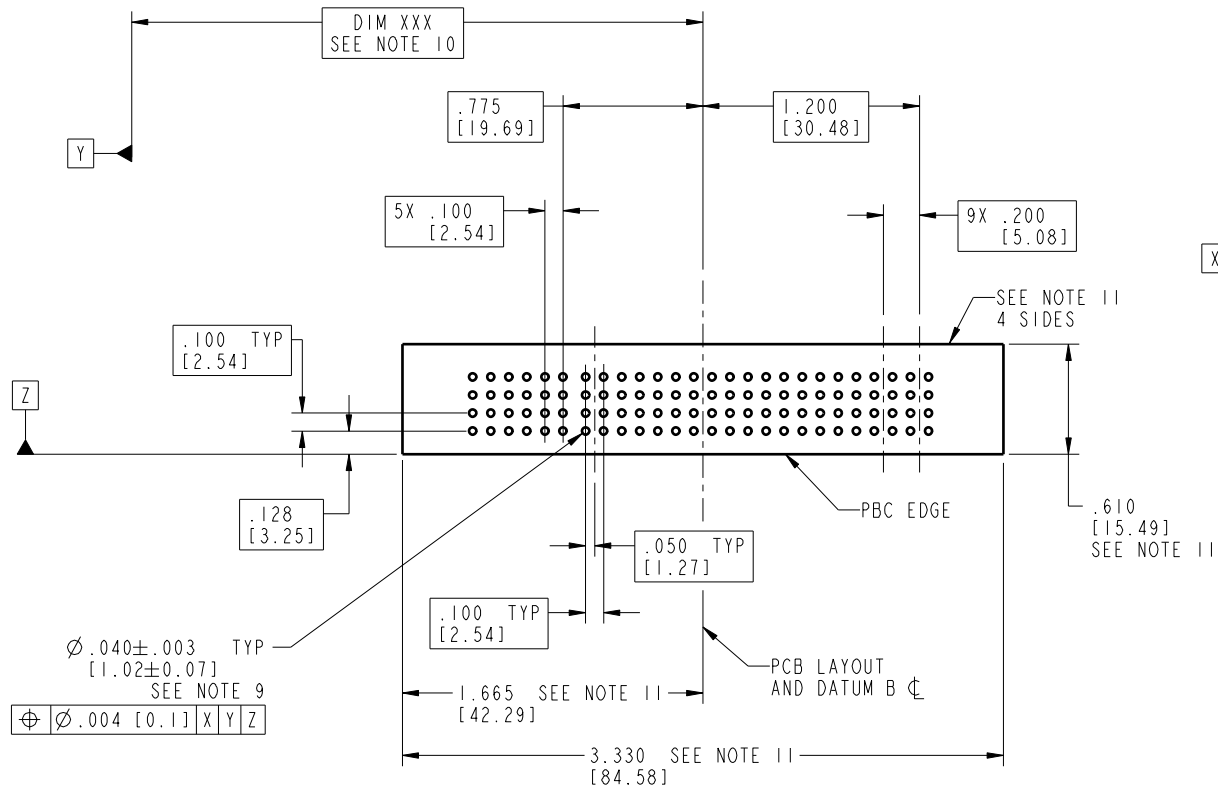
Pro/E

Tous droits strictement réservés. Reproduction ou communication à des tiers interdite sans quelque forme que ce soit sans autorisation écrite du propriétaire. Propriété de c FCI. Droits de reproduction FCI.

FCI

All rights strictly reserved. Reproduction or issue to third parties in any form whatsoever is not permitted without written authority from the proprietor. Property of FCI. Copyright FCI.

PRODUCT NUMBER
51940-184--
NOTE ③



mat'l code				SEE NOTE 2	tolerances unless otherwise specified		CUSTOMER		FCI	www.fciconnect.com
lir	ecn no.	dr	date	linear	.XX±.01/0.X±0.3	COPY		projection		
A					.XXX±.005/0.XX±0.13	INCH/MM			10P + 24S	
				angles	.XXX±.002/0.XXX±0.051	scale			VERTICAL PF RECEPT	
				dr	0°±2°	1:1		product family	PwrBlade	code
				eng	RYAN YUAN 02/23/06			size	A	213
				chr	SALLY LUO 02/23/06			dwg no	51940-184	sheet
				appd	BEER FU 02/23/06					3 of 4
					JOSEPH HSIA 02/23/06					
sheet index	revision sheet									

code code 22526

Pro/E

Tous droits strictement réservés. Reproduction ou communication à des tiers interdite sans quelque forme que ce soit sans autorisation écrite du propriétaire. Propriété de c FCI. Droits de reproduction FCI.



All rights strictly reserved. Reproduction or issue to third parties in any form whatsoever is not permitted without written authority from the proprietor. Property of FCI. Copyright FCI.

1 | 2

3 |

4

PRODUCT NUMBER
51940-184--
NOTE ③

NOTES:

1. DIMENSIONS AND TOLERANCES ARE IN ACCORDANCE WITH ASME Y14.5M, 1994 UNLESS OTHERWISE SPECIFIED.

CONNECTOR NOTES:

② HOUSING MATERIAL: UL 94 V-0 GLASS FILLED HIGH-TEMP THERMOPLASTIC
POWER CONTACT MATERIAL: COPPER ALLOY
SIGNAL PIN MATERIAL: COPPER ALLOY

③ PLATING:
SEE PRINT 10064183 FOR PLATING SPEC OF 51940-184; 51940-184LF

④ MANUFACTURER'S NAME, P/N, AND DATE CODE TO APPEAR ON THIS SURFACE.

5. PRODUCT SPECIFICATION GS-12-149.
APPLICATION SPECIFICATION BUS-20-067.

6. PACKAGED IN TRAYS.

PCB NOTES:

7. ALL HOLE DIAMETERS ARE FINISHED HOLE SIZE.

⑧ MOUNTING HOLES, WHERE APPLICABLE, ARE UNPLATED.

⑨ $\varnothing .0453 \pm .0010$ [1.151 ± 0.025] DRILLED HOLES PLATED WITH
.0003 [0.008] MIN SnPb OVER .001 [0.03]
TO .003 [0.08] Cu PLATING TO ACHIEVE
 $\varnothing .040 \pm .003$ [$1.02 \pm .07$] HOLE.

⑩ "DIM XXX" TO BE DETERMINED BY THE CUSTOMER.

⑪ CONNECTOR KEEP-OUT ZONE.

A

A

B

B

mat'l code				SEE NOTE 2	tolerances unless otherwise specified		CUSTOMER		A FCI		www.fciconnect.com	
lir	ecn no.	dr	date	linear	.XX±.01/0.X±0.3		projection	COPY		title		
A					.XXX±.005/0.XX±0.13			INCH/MM		10P + 24S		VERTICAL PF RECEPT
				angles	$0^{\circ} \pm 2^{\circ}$		scale		product family		code	
				dr	RYAN YUAN	02/23/06	1:1		PwrBlade		213	
				engr	SALLY LUO	02/23/06			size		sheet	
				chr	BEER FU	02/23/06			A		4 of 4	
				opod	JOSEPH HSIA	02/23/06			51940-184			
sheet index	revision sheet											

1 | 2

3 |

4

Pro/E

code code 22526