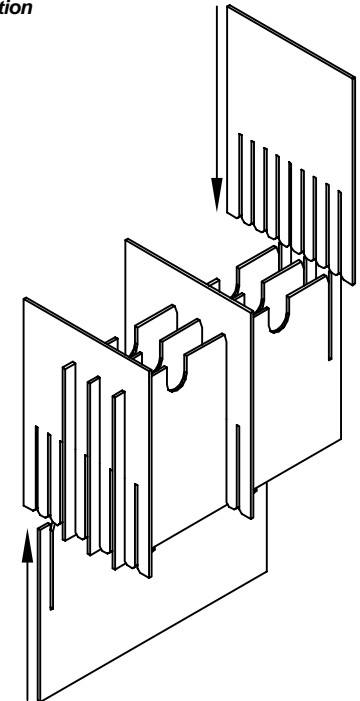
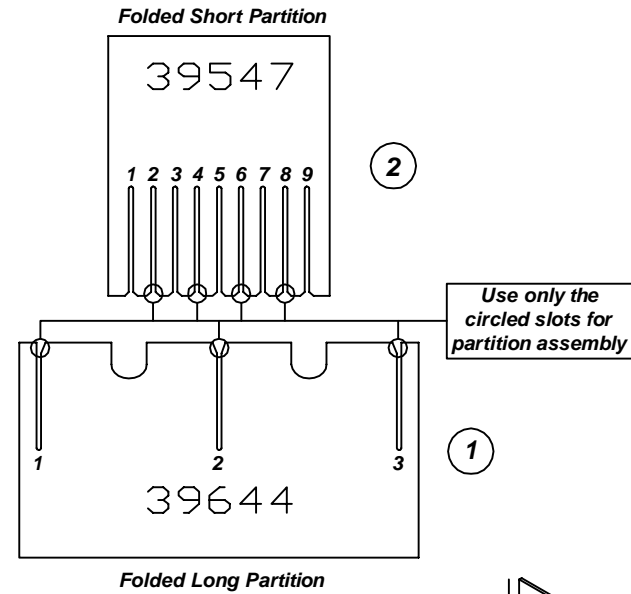
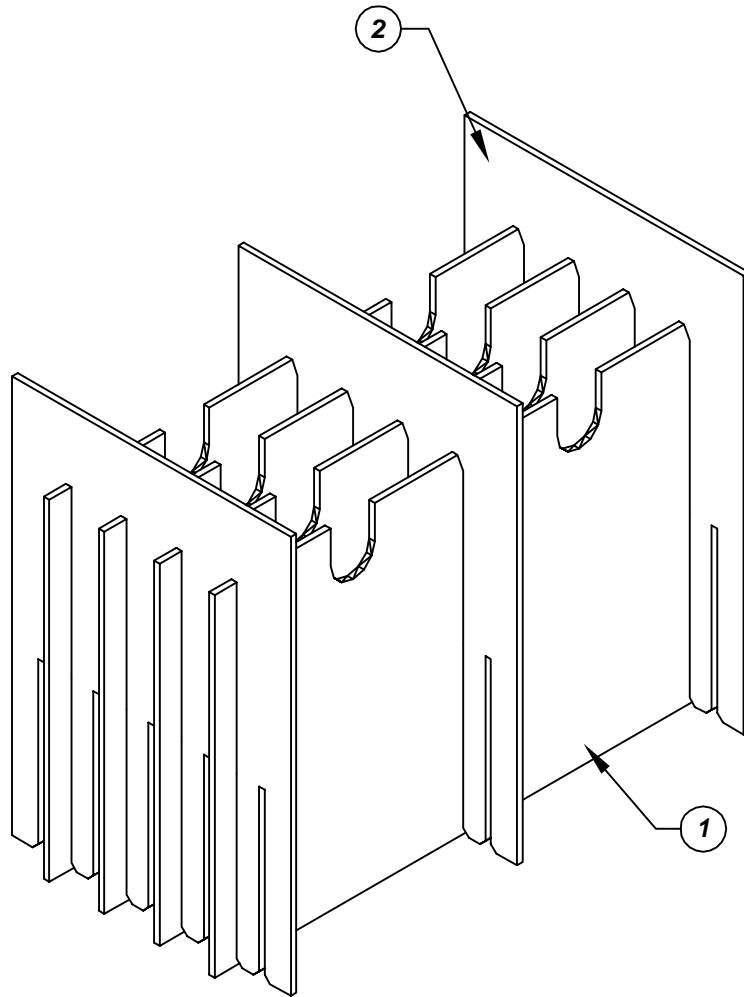


# Assembly Instructions for - 37215



Made in America

F/N ①	Part # <b>39644</b>	Dimensions: <b>30-1/4" x 22-3/4"</b>	Description: <b>408/455 - LP Long Partition</b>	Qty: <b>4</b>
F/N ②	Part # <b>39547</b>	Dimensions: <b>36-7/16" x 12-5/8"</b>	Description: <b>408 - SP Short Partition</b>	Qty: <b>3</b>

Notes:  
For use with the following storage container & lid:  
37507 - Storage Container  
37552 - Lid

PROTEKTIVE PAK  
13520 MONTE VISTA AVENUE, CHINO, CA 91710  
PHONE (909) 627-2578, FAX (909) 363-7331  
ProtektivePak.com

**PROTEKTIVE PAK**  
**BURIED CONDUCTIVE LAYER**

DRAWING NUMBER  
**IPH-37215**

DATE  
**Dec. 2007**

**37215 - 10 Cell Inplant Handler**  
**Cell Size - 18-1/4" x 10" x 2-1/4"**