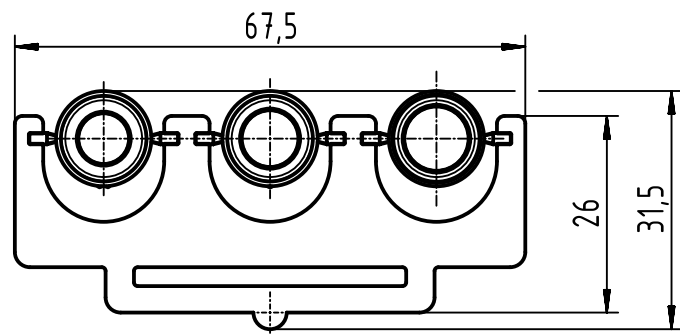
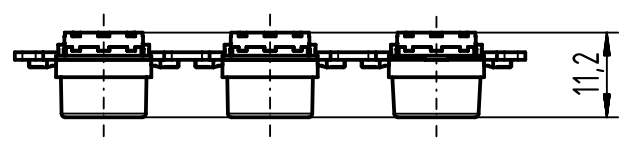


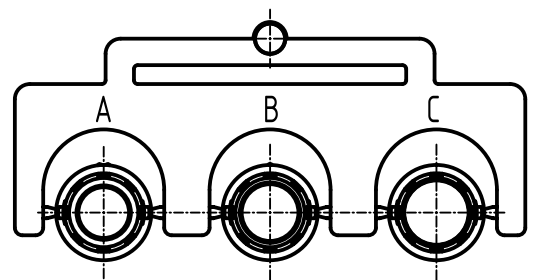
A



B



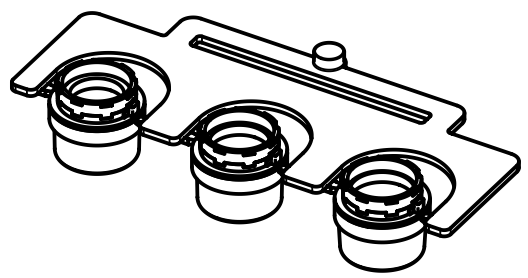
C




Sealing insert (A)- cable diameter 5.7-6.9 mm
 Sealing insert (B)- cable diameter 6.5-7.7 mm
 Sealing insert (C)- cable diameter 7.5-8.8 mm

D

10 pcs. in a poly-bag



	All rights reserved Department EC PD - DE	All Dimensions in mm Original Size DIN A4		Scale 1:1	Free size tol.	Ref.	
		Created by TAMAS	Inspected by AVRAM	Standardisation HOFFMANN	Date 2015-12-03	State Final Release	
HARTING Electronics GmbH D-32339 Espelkamp		Title M12 Slim Design comb with sealing insert 10 pcs.				Doc-Key / ECM-Nr. 100599393/UGD/001/A 500000098018	
		Type TB	Number 21010102028			Rev. A	Page 1/1