

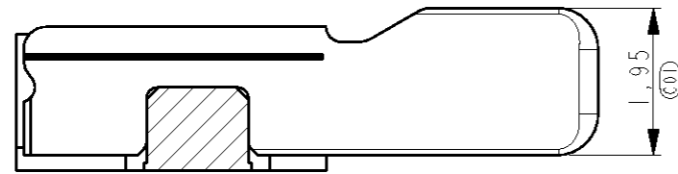
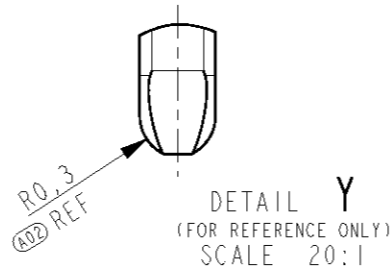
THIS DRAWING IS UNPUBLISHED. RELEASED FOR PUBLICATION

© COPYRIGHT - BY - ALL RIGHTS RESERVED.

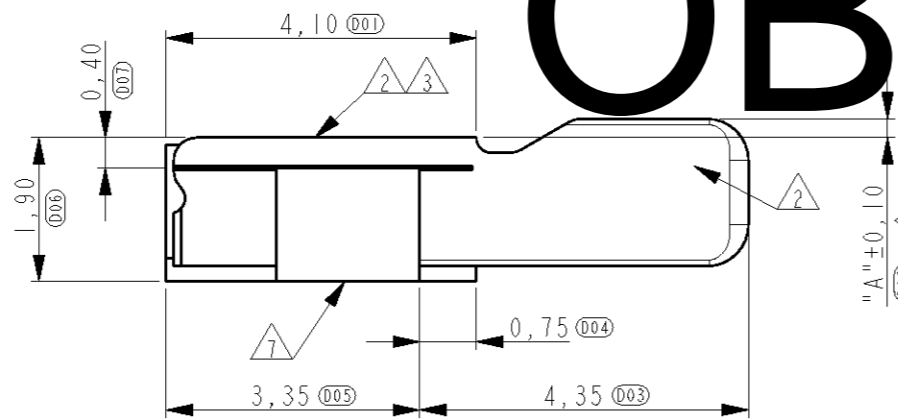
LOC	DIST	REVISIONS					
		P	LTR	DESCRIPTION	DATE	DWN	APVD
H	-		A	ECR-11-008319	20APR2011	PW	DH
			A1	OBSOLETE	29AUG2018	K.G	W.H

NOTES:

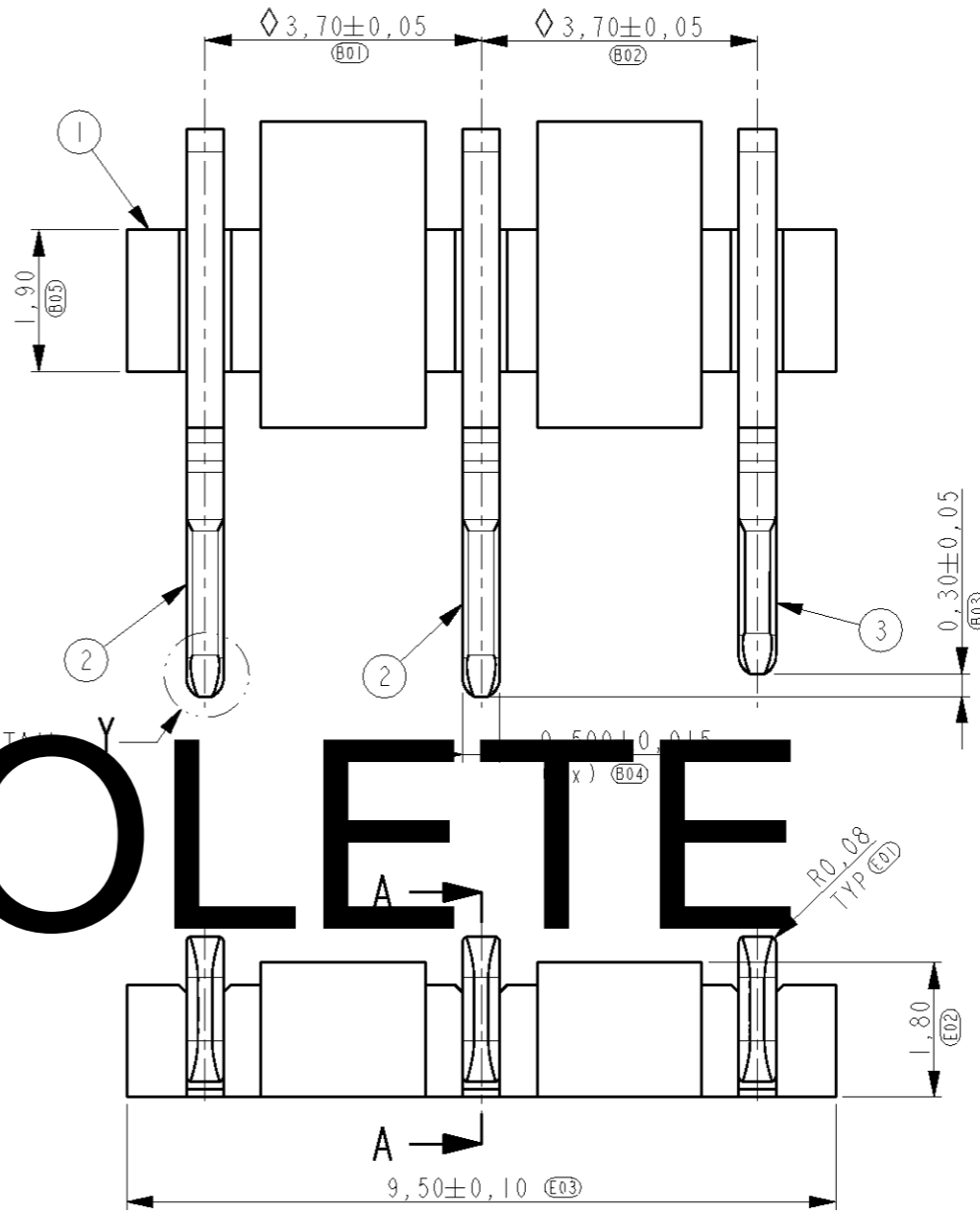
- 1 DRAWING REPRESENTS PART VERSION "VI".
- 2 PLATING:
1,2µm MIN. NICKEL ALL OVER
0,8µm MIN. GOLD ON CONTACT AREA
0,1 - 0,3µm GOLD ON SOLDER AREA
- 3 COPLANARITY OF SOLDER SURFACES 0,08 MAX.
- 4 DIMENSION DEPENDS ON DISTANCE BETWEEN PWB AND BATTERY, SEE TABLE ON SHEET 3.
- 5 MARKING: VERSION (VI), PROCESS ID (##), PRODUCTION DATE (YWW, YEAR AND WEEK).
- 6 MARKING: CAVITY ID.
- 7 PICK&PLACE AREA.



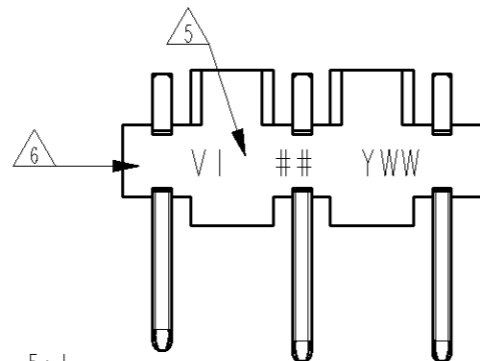
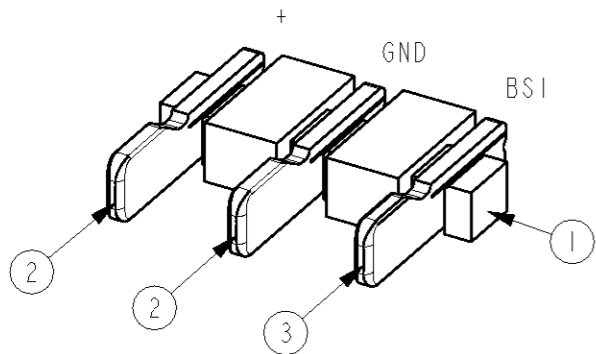
SECTION A-A



OBSOLETE



ITEM NO.	DESCRIPTION	MATERIAL	FINISH
3	CONTACT, FIRST BREAK	COPPER ALLOY	GOLD PLATED
2	CONTACT, LAST BREAK	COPPER ALLOY	GOLD PLATED
1	HOUSING	PLASTIC, GF	-

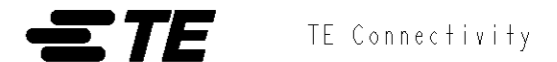


SCALE 5:1

THIS DRAWING IS A CONTROLLED DOCUMENT.

DIMENSIONS:	TOLERANCES UNLESS OTHERWISE SPECIFIED:
mm	
	0 PLC ±-
	1 PLC ±0,2
	2 PLC ±0,1
	3 PLC ±-
	4 PLC ±-
	ANGLES ±-
MATERIAL	FINISH

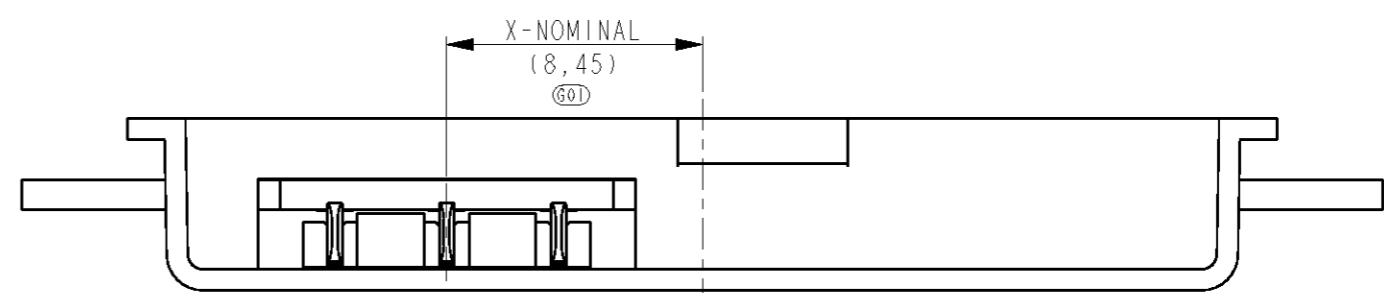
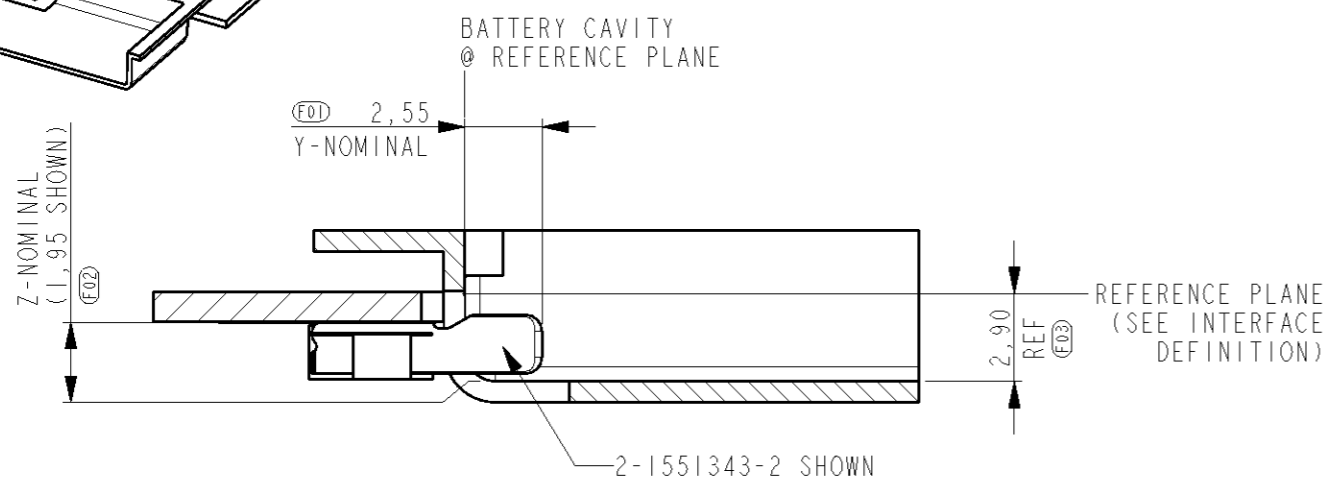
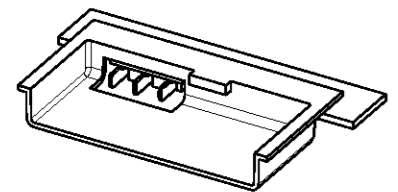
DWN	P.Willems	17AUG2009
CHK	P.Willems	17AUG2009
APVD	D.Halberstadt	17AUG2009
PRODUCT SPEC	108-19276	
APPLICATION SPEC	114-19088	
WEIGHT	-	
CUSTOMER DRAWING		



NAME			
PLUG CONNECTOR EDGE-TYPE ULTRA SHORT, 3 POSITION BATTERY BLOCK			
SIZE	CAGE CODE	DRAWING NO	RESTRICTED TO
A3	00779	C=1551343	-
SCALE 10:1		SHEET 1 OF 5	REV A1

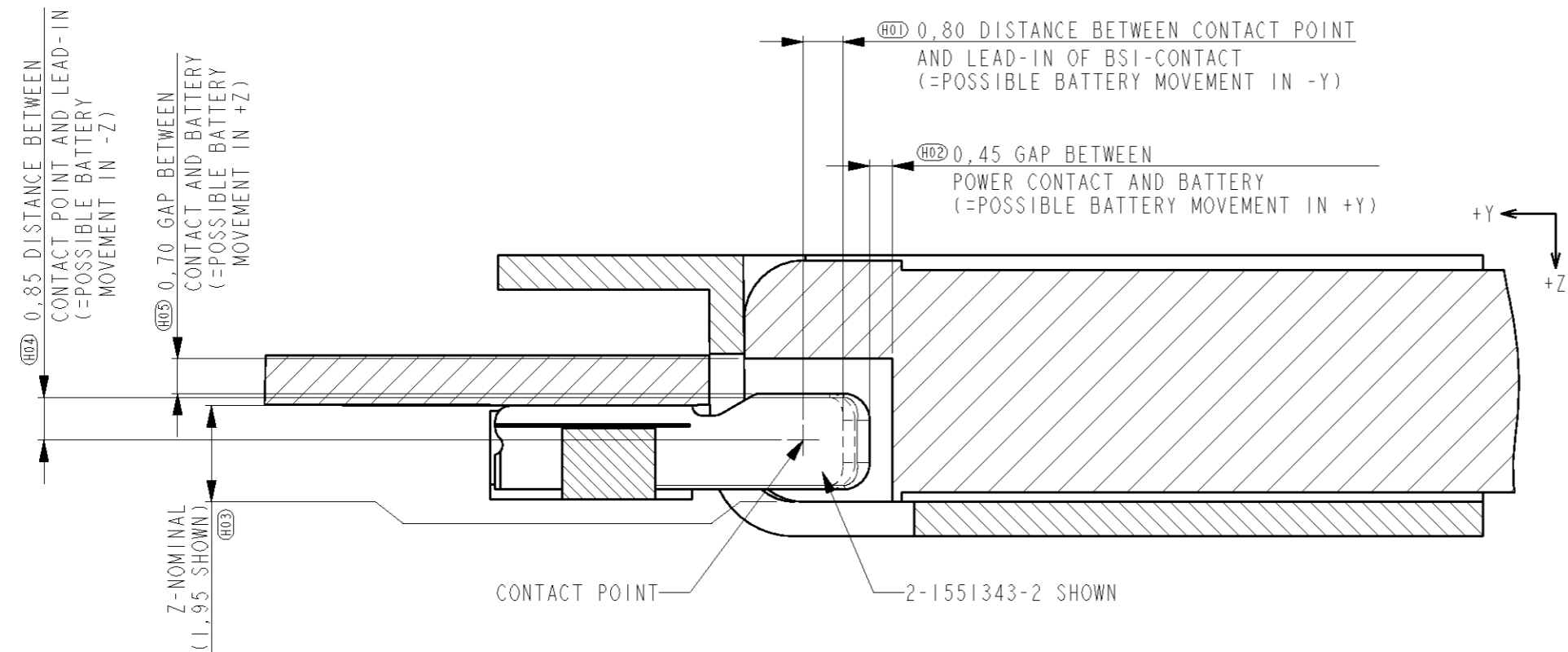
THIS DRAWING IS UNPUBLISHED. RELEASED FOR PUBLICATION
 © COPYRIGHT - BY - ALL RIGHTS RESERVED.

LOC	DIST	REVISIONS			
P	LTR	DESCRIPTION	DATE	DWN	APVD
H	-	SEE SHEET 1	-	-	-



SITUATION SKETCH OF THE PLUG APPLIED IN A BL-4B PHONE CASE.

CONNECTOR POSITIONING



WORKING RANGE:
 (PERMITTED BATTERY MOVEMENT)

IN X-DIRECTION ±0,50 SYMMETRICAL

IN Y-DIRECTION 1,25 TOTAL
 IN -Y-DIRECTION 0,80
 (BATTERY LENGTH TOLERANCE, PHONE CASE TOLERANCE, ASSEMBLY TOLERANCE, PHONE FLEXIBILITY)
 IN +Y-DIRECTION 0,45
 (ASSEMBLY TOLERANCE, PHONE FLEXIBILITY)

IN Z-DIRECTION 1,55 TOTAL
 IN -Z-DIRECTION 0,85
 (BATTERY FRONT TOLERANCE, PHONE CASE TOLERANCE, PHONE FLEXIBILITY)
 IN +Z-DIRECTION 0,70
 (PHONE CASE TOLERANCE, PHONE FLEXIBILITY)
 THESE VALUES APPLY IF Z-NOMINAL IS IN THE CENTER OF THE RANGE SPECIFIED FOR THE PLUG (AS SHOWN HERE).

WORKING RANGE

SCALE 8:1

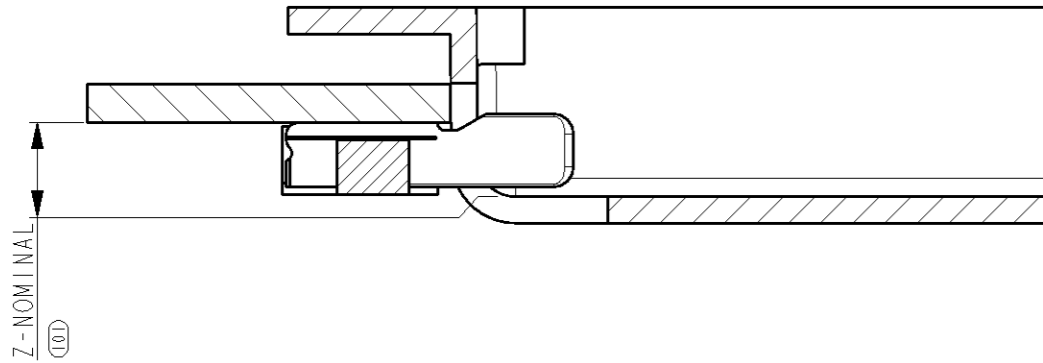
THIS DRAWING IS A CONTROLLED DOCUMENT.		DWN P.Willems 17AUG2009	TE Connectivity	
DIMENSIONS: mm		CHK P.Willems 17AUG2009		
TOLERANCES UNLESS OTHERWISE SPECIFIED:		APVD D.Halberstadt 17AUG2009	NAME	
0 PLC ±- 1 PLC ±0,2 2 PLC ±0,1 3 PLC ±- 4 PLC ±- ANGLES ±-		PRODUCT SPEC 108-19276	PLUG CONNECTOR	
MATERIAL - FINISH -		APPLICATION SPEC 114-19088	EDGE-TYPE ULTRA SHORT, 3 POSITION BATTERY BLOCK	
		WEIGHT -	SIZE A3	CAGE CODE 00779
		CUSTOMER DRAWING	DRAWING NO C=1551343	RESTRICTED TO -
			SCALE 10:1	SHEET 2 OF 5 REV A

THIS DRAWING IS UNPUBLISHED.

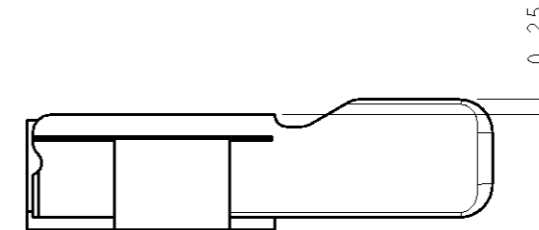
RELEASED FOR PUBLICATION

© COPYRIGHT - BY - ALL RIGHTS RESERVED.

LOC	DIST	REVISIONS					
H	-	P	LTR	DESCRIPTION	DATE	DWN	APVD
		-		SEE SHEET 1	-	-	-




NMP CODE	PART NUMBER	Z-NOMINAL RANGE	DIMENSION "A"	MASS [mg]
54699G2	2-1551343-2	<2,2 (1,75 - 2,15)	0,25	227



2-1551343-2

PRODUCT SELECTION

THIS DRAWING IS A CONTROLLED DOCUMENT.		DWN P. Willems 17AUG2009	 TE Connectivity	
DIMENSIONS: mm		CHK P. Willems 17AUG2009		
TOLERANCES UNLESS OTHERWISE SPECIFIED:		APVD D. Halberstadt 17AUG2009	NAME PLUG CONNECTOR EDGE-TYPE ULTRA SHORT, 3 POSITION BATTERY BLOCK	
0 PLC ±-		PRODUCT SPEC 108-19276	SIZE A3	
1 PLC ±0,2		APPLICATION SPEC 114-19088	CAGE CODE 00779	DRAWING NO C=1551343
2 PLC ±0,1		WEIGHT -	RESTRICTED TO -	
3 PLC ±-		MATERIAL -	SCALE 10:1	
4 PLC ±-			SHEET 3 OF 5	
ANGLES ±-		CUSTOMER DRAWING		REV A
FINISH -				

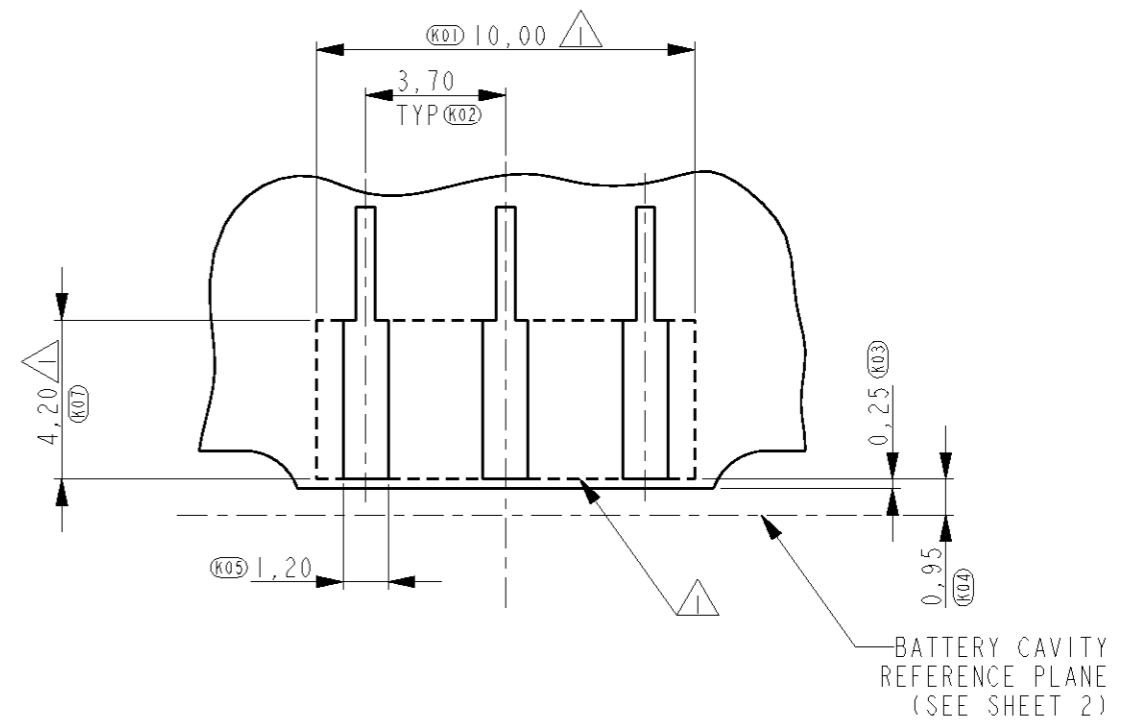
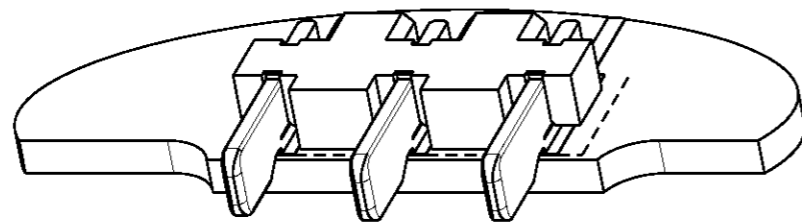
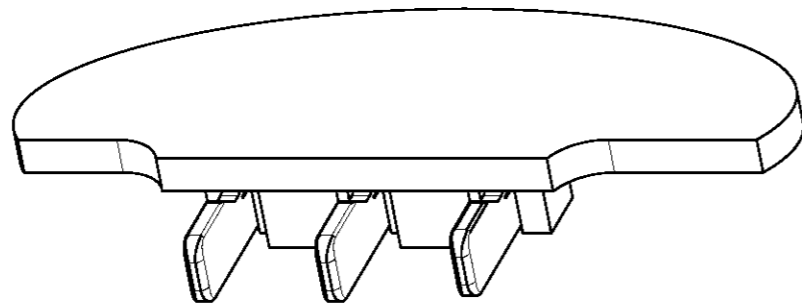
THIS DRAWING IS UNPUBLISHED.

RELEASED FOR PUBLICATION

© COPYRIGHT - BY -

ALL RIGHTS RESERVED.

LOC	DIST	REVISIONS					
H	-	P	LTR	DESCRIPTION	DATE	DWN	APVD
			-	SEE SHEET 1	-	-	-



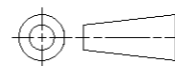
NOTES:

△ AREA FREE OF SOLDER SCREEN.

THIS DRAWING IS A CONTROLLED DOCUMENT.

DIMENSIONS:

mm



TOLERANCES UNLESS OTHERWISE SPECIFIED:

0 PLC	±-
1 PLC	±0,2
2 PLC	±0,1
3 PLC	±-
4 PLC	±-
ANGLES	±-

MATERIAL

-

FINISH

-

DWN 17AUG2009

P. Willems

CHK 17AUG2009

P. Willems

APVD 17AUG2009

D. Halberstadt

PRODUCT SPEC

108-19276

APPLICATION SPEC

114-19088

WEIGHT

-

CUSTOMER DRAWING



TE Connectivity

NAME
 PLUG CONNECTOR
 EDGE-TYPE ULTRA SHORT, 3 POSITION
 BATTERY BLOCK

SIZE	CAGE CODE	DRAWING NO	RESTRICTED TO
------	-----------	------------	---------------

A3	00779	©=1551343	-
----	-------	-----------	---

SCALE	SHEET	OF	REV
10:1	4	5	A

4

3

2

1

THIS DRAWING IS UNPUBLISHED.

RELEASED FOR PUBLICATION

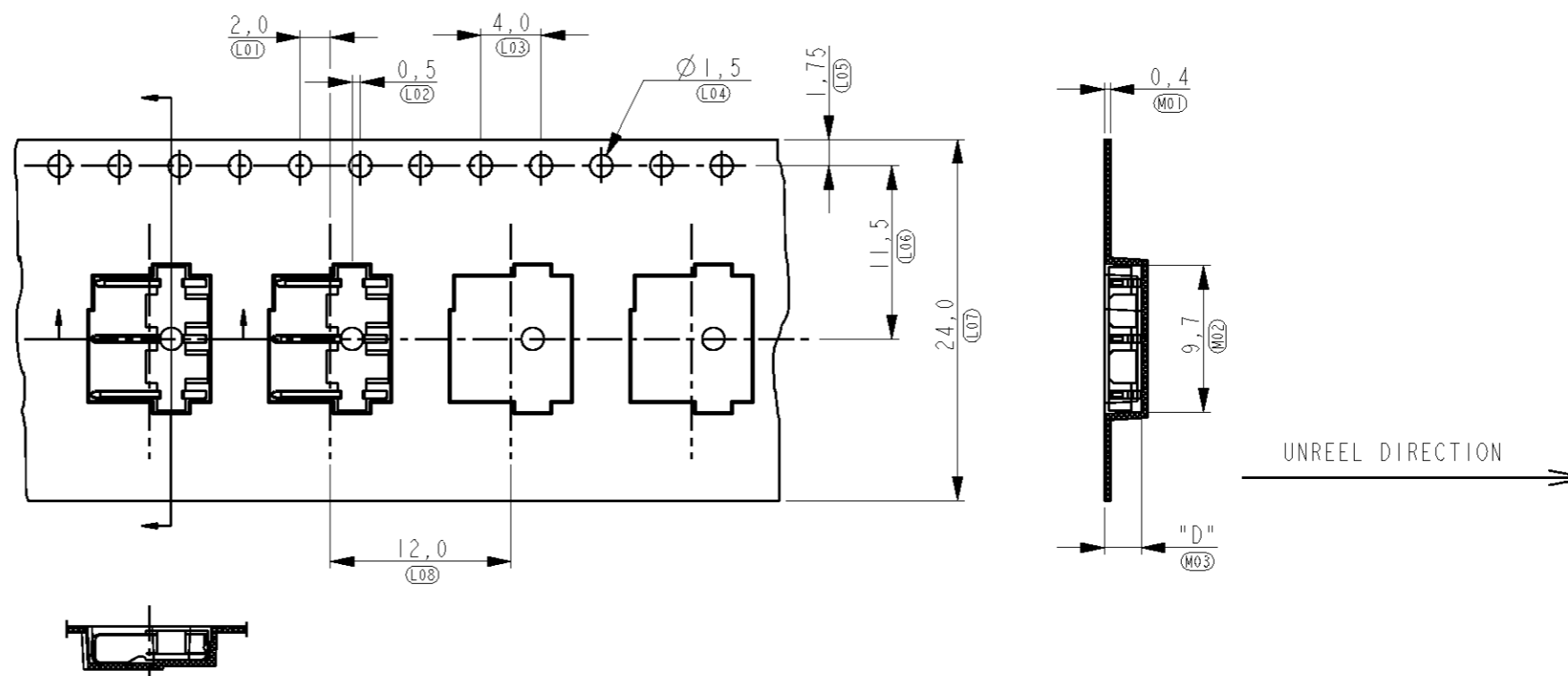
© COPYRIGHT - BY - ALL RIGHTS RESERVED.


LOC	DIST	REVISIONS					
H	-	P	LTR	DESCRIPTION	DATE	DWN	APVD
			-	SEE SHEET 1	-	-	-

PART NUMBER	QUANTITY PER REEL	DIMENSION "D"
2-1551343-2	1800	2,45

NOTES:

1 REEL DIMENSION: 330x101x24,4.



THIS DRAWING IS A CONTROLLED DOCUMENT.		DWN P. Willems 17AUG2009	 TE Connectivity	
DIMENSIONS: mm		CHK P. Willems 17AUG2009		
TOLERANCES UNLESS OTHERWISE SPECIFIED:		APVD D. Halberstadt 17AUG2009	NAME PLUG CONNECTOR EDGE-TYPE ULTRA SHORT, 3 POSITION BATTERY BLOCK	
0 PLC ±- 1 PLC ±0,2 2 PLC ±0,1 3 PLC ±- 4 PLC ±- ANGLES ±-		PRODUCT SPEC 108-19276	SIZE A3	
MATERIAL -		APPLICATION SPEC 114-19088	CAGE CODE 00779	DRAWING NO C=1551343
FINISH -		WEIGHT -	RESTRICTED TO -	
		CUSTOMER DRAWING	SCALE 10:1	SHEET 5 OF 5
			REV A	