

4

3

2

1

THIS DRAWING IS UNPUBLISHED.

RELEASED FOR PUBLICATION

2013

© COPYRIGHT 2013 BY -

ALL RIGHTS RESERVED.

REVISIONS

P	LTR	DESCRIPTION	DATE	DWN	APVD
	B1	REVISED PER ECR-18-006945	29MAY2018	NG	MZ

Dimensions: 60.0 (width), 25.0 (height),  $\varnothing 22.80$  (outer diameter),  $\varnothing 20.60$  (inner diameter).

Specifications: 400V AC IPXX, 16A 1.5<sup>2</sup>, 20A 2.5<sup>2</sup> A.

Callouts: 2 (TE logo), 3 (rated voltage), 4 (rated current and cable size).

Dimensions: 30.00 (width),  $\varnothing 22.80$  (outer diameter),  $\varnothing 20.60$  (inner diameter).

Polarity keys: N, L1, PE.

NOTES:

- FOR ALL POLARISATION KEYS SEE TABLE ON SHEET 2 OF 2
- TE LOGO
- RATED VOLTAGE
- RATED CURRENT AND CABLE SIZE
- PARTS UNDER APPROVAL ACCORDING TO IEC 61535. PARTS TO BE TESTED ACCORDING TO INTERNAL TE ENDURANCE TESTS PROCEDURE
- PARTS RELEASED FOR PRODUCTION WITH THE EXCEPTION OF FACE SEAL COMPONENTS WHICH ARE NOT YET RELEASED AND CURRENTLY UNDER TESTING

Dimensions: 56.2 (height), 61.1 (width).

Internal components: N, L3, S2, S1.

COLOUR	POL. KEYING	DESCRIPTION	PART NUMBER	REV.
BLACK	E	T-SPLITTER 5 POS CONN. SEALED NECTOR M-LINE	<del>1879999-5</del>	B
BLACK	D	T-SPLITTER 5 POS CONN. SEALED NECTOR M-LINE	<del>1879999-4</del>	B
BLACK	C	T-SPLITTER 5 POS CONN. SEALED NECTOR M-LINE	<del>1879999-3</del>	B
BLACK	B	T-SPLITTER 5 POS CONN. SEALED NECTOR M-LINE	<del>1879999-2</del>	B
BLACK	A	T-SPLITTER 5 POS CONN. SEALED NECTOR M-LINE	1879999-1	B

DIMENSIONS:		TOLERANCES UNLESS OTHERWISE SPECIFIED:		APPROVALS		TE Connectivity	
mm		0 PLC	±	DWN	08MAY2013	NAME	
		1 PLC	±0.3	CHK	08MAY2013	NECTOR M-LINE 5 POLES	
		2 PLC	±0.20	APVD	08MAY2013	T-SPLITTER CONNECTOR	
		3 PLC	±	J. CATCHPOLE		SEALED VERSION	
		4 PLC	±	PRODUCT SPEC		SIZE	RESTRICTED TO
		ANGLES	±3°	APPLICATION SPEC		A3	-
MATERIAL		FINISH		WEIGHT		CAGE CODE	DRAWING NO
-		-		-		-	1879999
-		-		Customer Drawing		SCALE	SHEET
						2:1	1 OF 3
							REV B1

1470-19 (3/13)

REVISIONS

P	LTR	DESCRIPTION	DATE	DWN	APVD
-	-	SEE SHEET 1	-	-	-

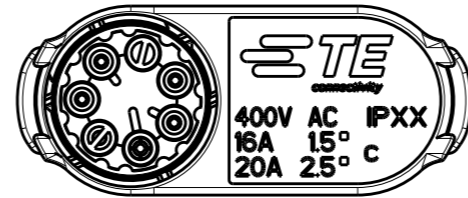
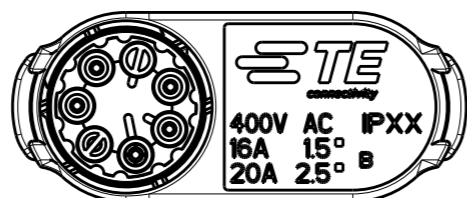
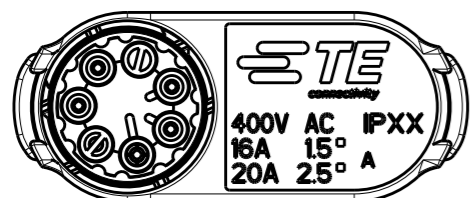
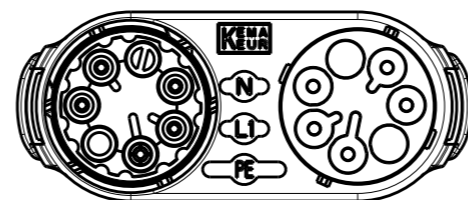
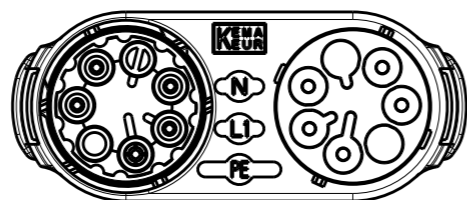
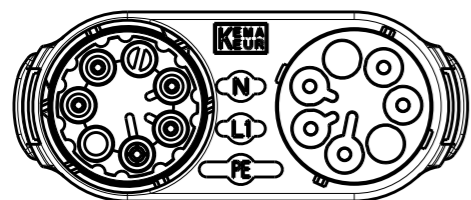
POLARISATION KEYS

SCALE 1:1

TYPE "A-A"

TYPE "B-B"

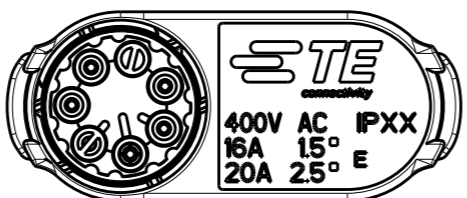
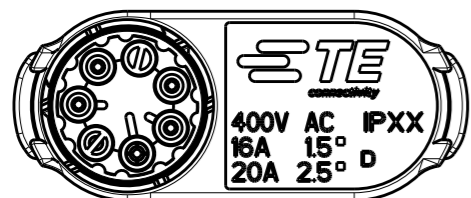
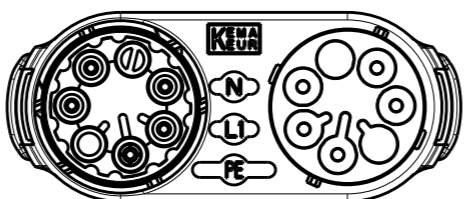
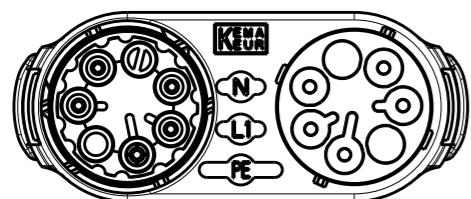
TYPE "C-C"



P/N 1879999-1  
TYPE "D-D"

P/N ~~1879999-2~~  
TYPE "E-E"

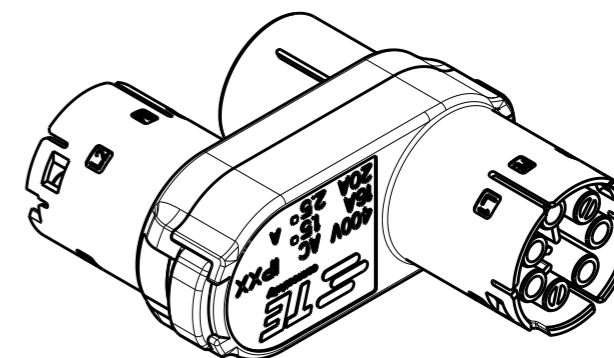
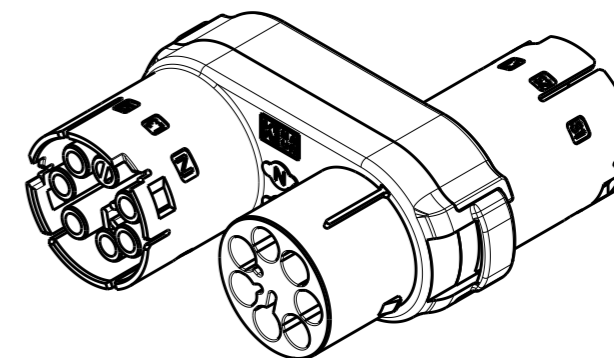
P/N ~~1879999-3~~



P/N ~~1879999-4~~

P/N ~~1879999-5~~

3D VIEWS.  
FOR REFERENCE ONLY



SCALE 1:1

THIS DRAWING IS A CONTROLLED DOCUMENT.

DIMENSIONS:	TOLERANCES UNLESS OTHERWISE SPECIFIED:
mm	0 PLC ±-
	1 PLC ±0.3
	2 PLC ±0.20
	3 PLC ±-
	4 PLC ±-
	ANGLES ±3°
MATERIAL	FINISH
-	-
-	-

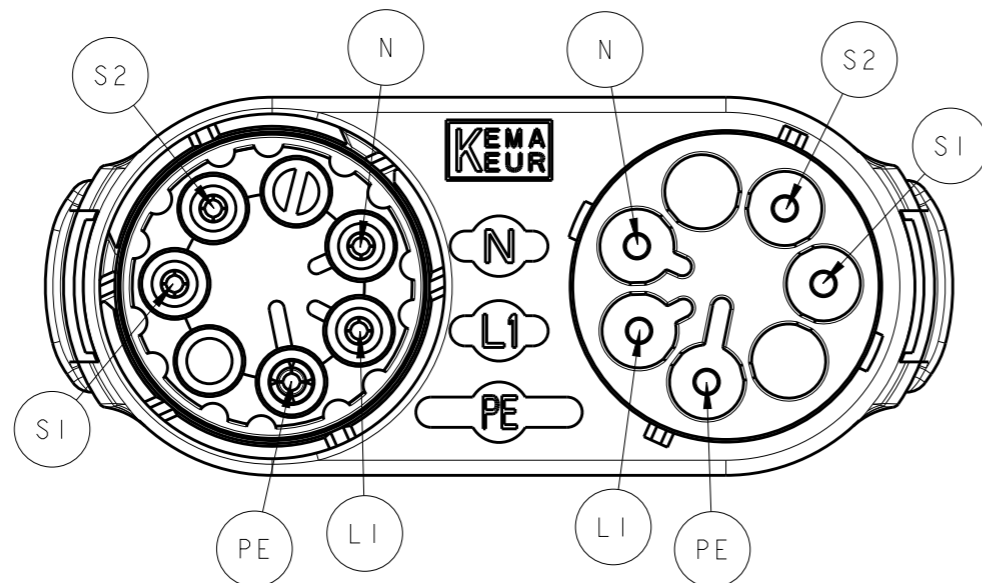
DWN	M. ZUCCA	08MAY2013
CHK	M. ZUCCA	08MAY2013
APVD	J. CATCHPOLE	08MAY2013
PRODUCT SPEC	-	
APPLICATION SPEC	-	
WEIGHT	-	
Customer Drawing		



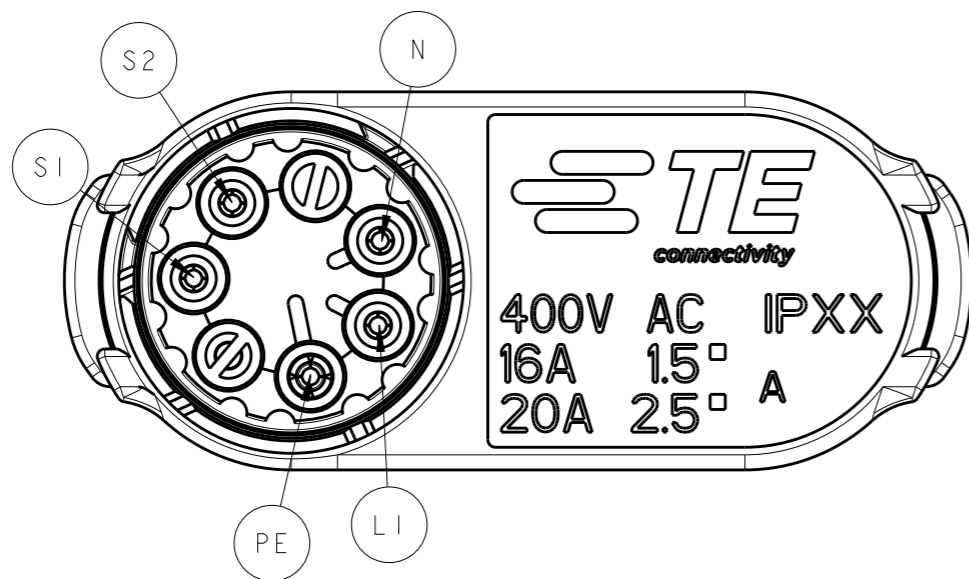
NAME				NECTOR M-LINE 5 POLES T-SPLITTER CONNECTOR SEALED VERSION	
SIZE	CAGE CODE	DRAWING NO	RESTRICTED TO		
A3	-	1879999	-		
SCALE		SHEET	OF	REV	
2:1		2	3	B1	

REVISIONS

P	LTR	DESCRIPTION	DATE	DWN	APVD
-	-	SEE SHEET 1	-	-	-

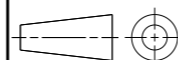


ADDITIONAL DETAILS ON  
CAVITY CIRCUIT POSITION.  
FOR INFORMATION ONLY



THIS DRAWING IS A CONTROLLED DOCUMENT.

DIMENSIONS:  
mm



TOLERANCES UNLESS OTHERWISE SPECIFIED:

0 PLC	±
1 PLC	±0.3
2 PLC	±0.20
3 PLC	±
4 PLC	±
ANGLES	±3°

MATERIAL  
-

FINISH  
-

DWN M. ZUCCA 08MAY2013  
CHK M. ZUCCA 08MAY2013  
APVD J. CATCHPOLE 08MAY2013

PRODUCT SPEC -  
APPLICATION SPEC -  
WEIGHT -

Customer Drawing



NAME  
NECTOR M-LINE 5 POLES  
T-SPLITTER CONNECTOR  
SEALED VERSION

SIZE A3	CAGE CODE -	DRAWING NO C-1879999	RESTRICTED TO -
------------	----------------	-------------------------	--------------------

SCALE 2:1 SHEET 3 OF 3 REV B1