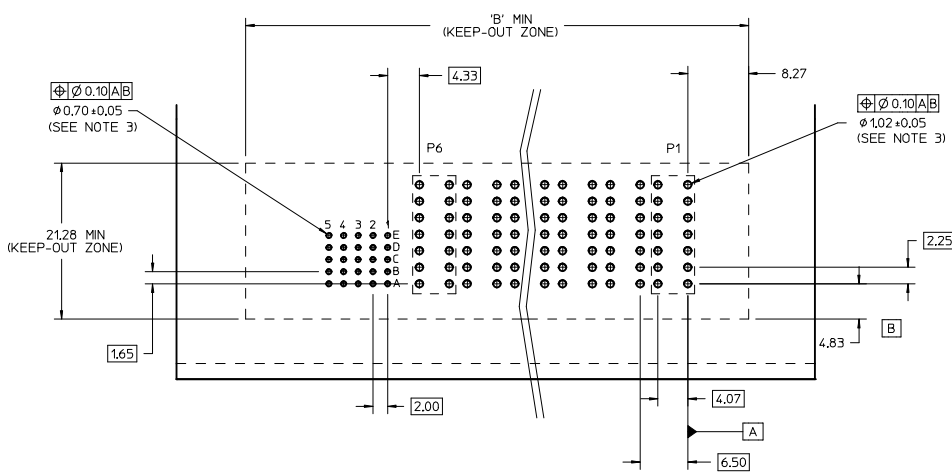
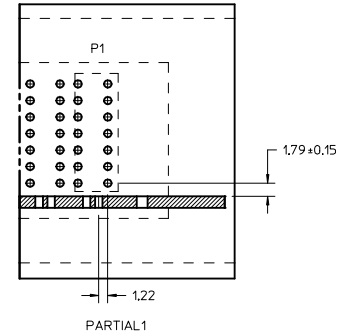
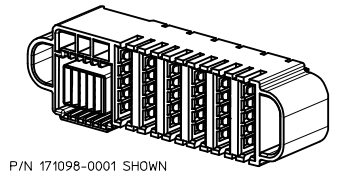
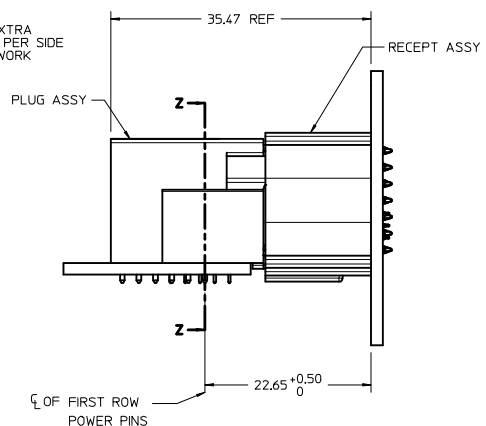
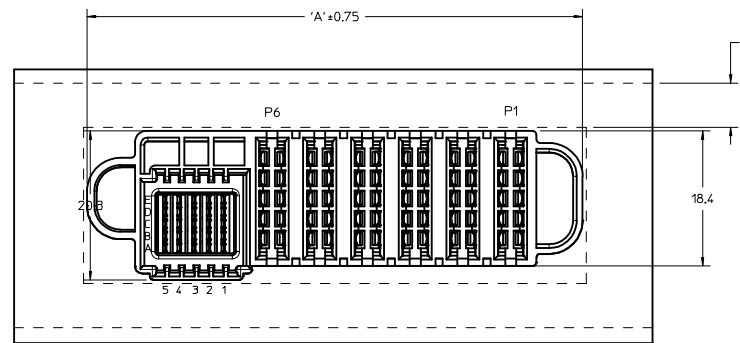
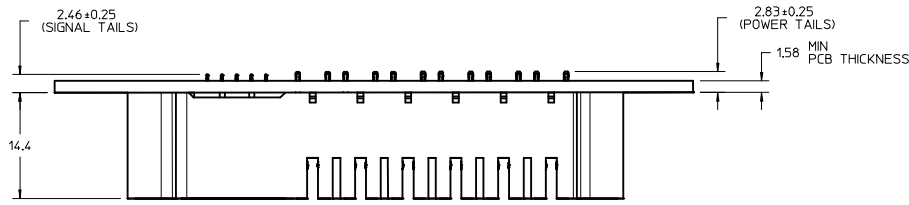


| PACKAGING SPEC | PART NUMBER | # OF POWERS | DIM 'A' | DIM 'B' | # OF SIGNALS |
|----------------|-------------|-------------|---------|---------|--------------|
| PK-171098-0100 | 171098-0001 | 6 | 67.50 | 68.50 | 25 |
| PK-172186-0002 | 171098-0002 | 4 | 54.50 | 55.50 | |
| PK-172186-0002 | 171098-0003 | 2 | 41.50 | 42.50 | |

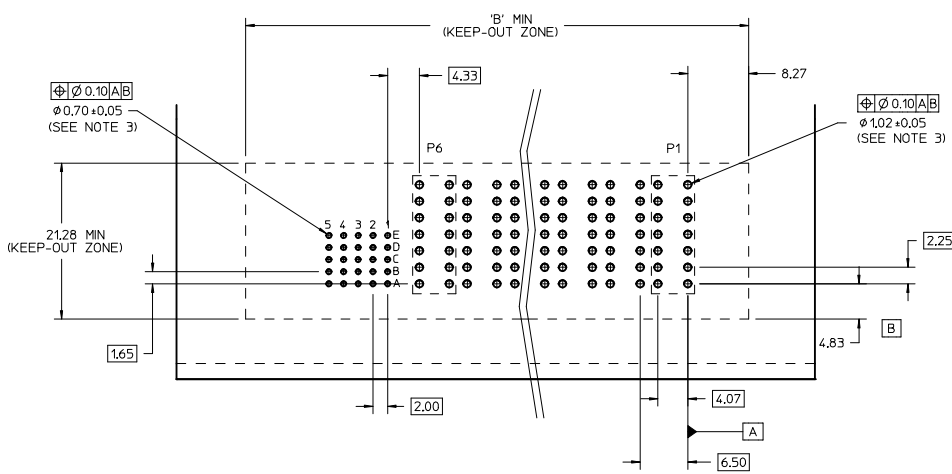
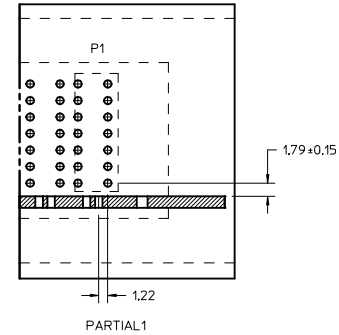
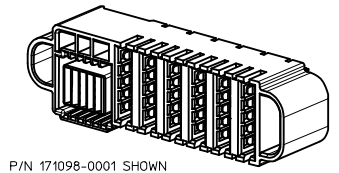
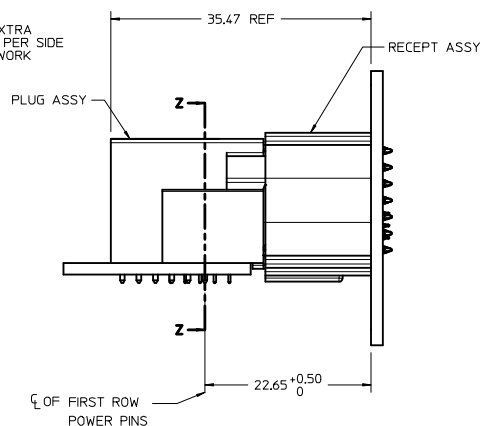
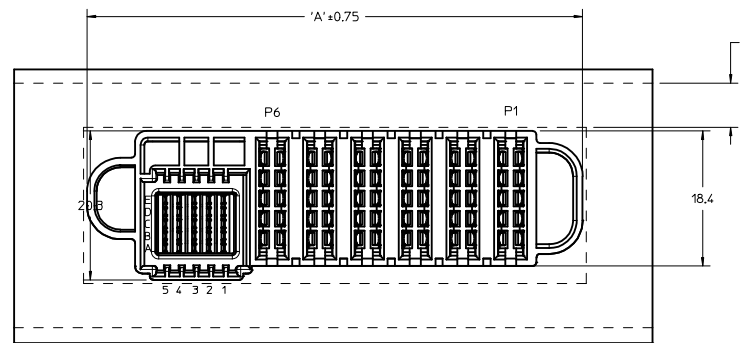
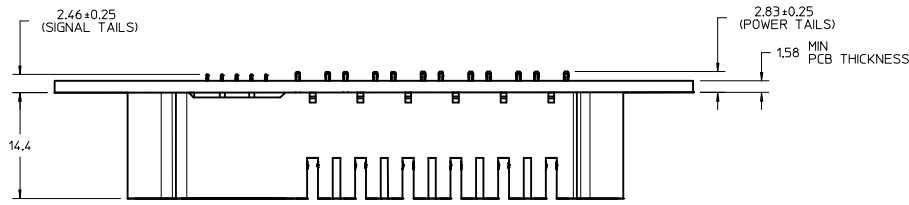


- NOTE:
- MATERIAL:
 - HOUSINGS: LCP UL94, V-0, COLOR: BLACK
 - TERMINALS: COPPER ALLOY
 - PLATING: 1.27 MICROMETER (50 MICROINCH) NICKEL OVERALL WITH 2.54 MICROMETER (100 MICROINCH) SELECTIVE TIN ON TAILS AND 0.762 MICROMETER (30 MICROINCH) SELECTIVE GOLD ON CONTACT AREA
 - PACKAGING: ASSEMBLIES TO BE TRAY PACKED PER PACKAGING SPEC; SEE TABLE
 - PLATED THRU HOLE SIZE, REFER TO PS-171097-1000 FOR DETAILS
 - PRODUCT SPEC: PS-171097-1000
 - APPLICATION SPEC: AS-171097-0001
 - PRODUCT TO MEET RoHS REQUIREMENTS
 - FOR MATING PARTS SEE PLUG ASSEMBLY SD-171097-0001
 - TAIL DESIGN: COMPLIANT PIN
 - POWER AND SIGNAL CONTACTS ARE LUBRICATED

RECOMMENDED PCB LAYOUT AND KEEP-OUT ZONE
(PCB LAYOUT FOR 6P CONNECTOR SHOWN AS REFERENCE)

| | | | | | | |
|--|-----------------|--|---|--|----------------|------------------------|
| ADD PK SPEC IEC NO. UCP2017-0856 DRAWN/COH 2016/10/18 CHKD/ACHAN 2016/11/07 APPR/KHLIM 2016/11/15 A2 REV | QUALITY SYMBOLS | GENERAL TOLERANCES (UNLESS SPECIFIED) | DIMENSION STYLE | SCALE | DESIGN UNITS | THIRD ANGLE PROJECTION |
| | ▽=0 | mm INCH | MM ONLY | 3:1 | METRIC | ☉ |
| | ▽=0 | 4 PLACES ±--- ±--- | DRAWN BY DATE | TITLE | | |
| | ▽=0 | 3 PLACES ±--- ±--- | BPI SZCZOR 2013/06/25 | VERT RECEPTACLE ASSY STANDARD LAYOUTS ENERGETIC POWER FAMILY | | |
| | ANGULAR ±1/2° | DRAFT WHERE APPLICABLE MUST REMAIN WITHIN DIMENSIONS | APPROVED BY DATE | MATERIAL NO. | DOCUMENT NO. | SHEET NO. |
| | | | APATEL 2013/12/12 | SEE CHART | SD-171098-0001 | 1 OF 1 |
| | | | THIS DRAWING CONTAINS INFORMATION THAT IS PROPRIETARY TO MOLEX INCORPORATED AND SHOULD NOT BE USED WITHOUT WRITTEN PERMISSION | | | |

| PACKAGING SPEC | PART NUMBER | # OF POWERS | DIM 'A' | DIM 'B' | # OF SIGNALS |
|----------------|-------------|-------------|---------|---------|--------------|
| PK-171098-0100 | 171098-0001 | 6 | 67.50 | 68.50 | 25 |
| PK-172186-0002 | 171098-0002 | 4 | 54.50 | 55.50 | |
| PK-172186-0002 | 171098-0003 | 2 | 41.50 | 42.50 | |



- NOTE:
- MATERIAL:
 - HOUSINGS: LCP UL94, V-0, COLOR: BLACK
 - TERMINALS: COPPER ALLOY
 - PLATING: 1.27 MICROMETER (50 MICROINCH) NICKEL OVERALL WITH 2.54 MICROMETER (100 MICROINCH) SELECTIVE TIN ON TAILS AND 0.762 MICROMETER (30 MICROINCH) SELECTIVE GOLD ON CONTACT AREA
 - PACKAGING: ASSEMBLIES TO BE TRAY PACKED PER PACKAGING SPEC; SEE TABLE
 - PLATED THRU HOLE SIZE, REFER TO PS-171097-1000 FOR DETAILS
 - PRODUCT SPEC: PS-171097-1000
 - APPLICATION SPEC: AS-171097-0001
 - PRODUCT TO MEET RoHS REQUIREMENTS
 - FOR MATING PARTS SEE PLUG ASSEMBLY SD-171097-0001
 - TAIL DESIGN: COMPLIANT PIN
 - POWER AND SIGNAL CONTACTS ARE LUBRICATED

RECOMMENDED PCB LAYOUT AND KEEP-OUT ZONE
(PCB LAYOUT FOR 6P CONNECTOR SHOWN AS REFERENCE)

| | | | | | | |
|--|-----------------|--|---|--|----------------|------------------------|
| ADD PK SPEC IEC NO. UCP2017-0856 DRAWN/COH 2016/10/18 CHKD/ACHAN 2016/11/07 APPR/KHLIM 2016/11/15 A2 REV | QUALITY SYMBOLS | GENERAL TOLERANCES (UNLESS SPECIFIED) | DIMENSION STYLE | SCALE | DESIGN UNITS | THIRD ANGLE PROJECTION |
| | ▽=0 | mm INCH | MM ONLY | 3:1 | METRIC | ☉ |
| | ▽=0 | 4 PLACES ±--- ±--- | DRAWN BY DATE | TITLE | | |
| | ▽=0 | 3 PLACES ±--- ±--- | BPI SZCZOR 2013/06/25 | VERT RECEPTACLE ASSY STANDARD LAYOUTS ENERGETIC POWER FAMILY | | |
| | ANGULAR ±1/2° | DRAFT WHERE APPLICABLE MUST REMAIN WITHIN DIMENSIONS | APPROVED BY DATE | MATERIAL NO. | DOCUMENT NO. | SHEET NO. |
| | | | APATEL 2013/12/12 | SEE CHART | SD-171098-0001 | 1 OF 1 |
| | | | THIS DRAWING CONTAINS INFORMATION THAT IS PROPRIETARY TO MOLEX INCORPORATED AND SHOULD NOT BE USED WITHOUT WRITTEN PERMISSION | | | |