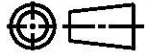
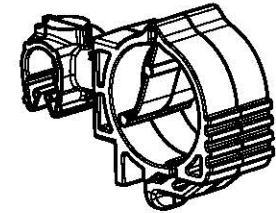
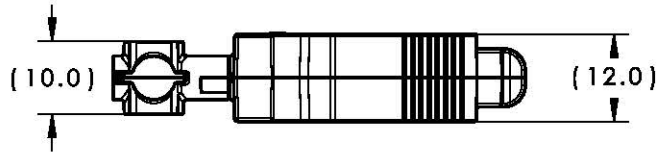


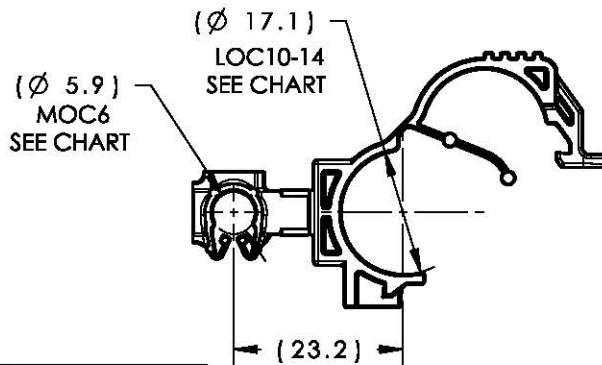
CATIA V5



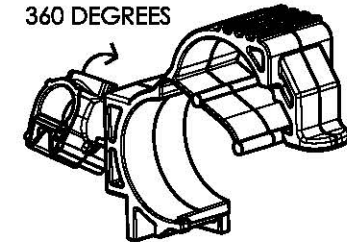
Revision Level			Revision Record	Changed	Date	Approved	Date
Drawing	State	Part					
00.0	Design Release	-	SEE ECN# 014970	JMC	03/05/19	EJH	03/05/19



ISOMETRIC VIEW CLOSED



CLIPS ROTATE 360 DEGREES



ISOMETRIC VIEW OPEN

TYPE	MOC6
HARNESS	5.5MM-6.5MM
HOSE	5.5MM-6.5MM
HARD PIPE /TUBE	6.0MM-6.8MM

*RECOMMENDED SIZES MAY DIFFER DEPENDING ON THE APPLICATION, PRODUCT, REQUIRMENTS AND MATERIALS USED

** PATENT PENDING 299/582,271 **

GLOBAL PART DESCRIPTION	MOC6**			LOC10-14		
	DRAWING	MATERIAL	COLOR	DRAWING	MATERIAL	COLOR
MOC6FLOC10-14-PA66HIRHSUV-BK	16-0314-001-CSU	PA66HIRHSUV	BLACK	11-0594-031-CSU	PA66HIRHSUV	BLACK

Material SEE CHART COLOR: SEE CHART	Units	millimeters	The copyright of this drawing is reserved by HellermannTyton. It is issued on condition that it is not reproduced, copied or disclosed to a third party, either wholly or in part, without the consent of HellermannTyton.	Drawn	JMC	03/05/19	Article/Type-No MOC6FLOC10-14	Scale	1:1	
	Tolerance defined on each dimension	Approved		EJH	03/05/19	Title 6MM MOC COUPLED TO 10-14MM LOC		Project Number	16-0327	
		<p>North America Email: corp@htamericas.com Web: www.hellermann.tyton.com</p>			Drawing-No		Production : Phase	Format	AH	
					16-0327-062-CSU		Sheet	1/1		