

FIGURE 1

75.00 mm

155.00 mm

**CAUTION**  
**MISE EN GARDE**

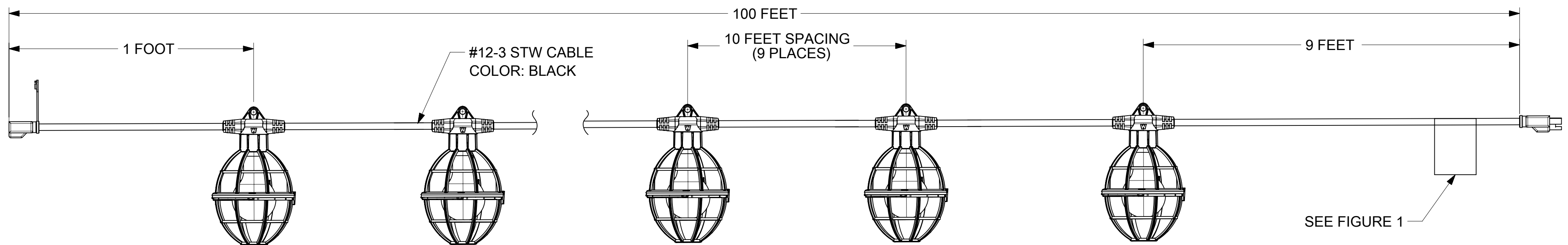
- TO REDUCE THE RISK OF ELECTRIC SHOCK AND FIRE, DO NOT EXCEED THE MARKED LAMP HOLDER WATTAGE OR STRING MAXIMUM WATTAGE INCLUDING ANY ADDITIONAL STRING LOADS.
- AFIN DE RÉDUIRE TOUT RISQUE DE FEU OU DE CHOC ÉLECTRIQUE, NE PAS DÉPASSER LA PUISSANCE RECOMMANDÉES POUR LA PUISSANCE MAXIMALE DES LUMIÈRES, Y COMPRIS DES CHARGEMENTS SUPPLÉMENTAIRES.
- TO REDUCE THE RISK OF ELECTRIC SHOCK, DO NOT CONNECT OR DISCONNECT WHEN WET.
- AFIN DE RÉDUIRE TOUT CHOC ÉLECTRIQUE, NE PAS CONNECTER OU DÉCONNECTER S'IL EST MOUILLÉ.
- : INSERT IN CORD CONNECTOR WHEN NOT IN USE.
- : LORS DE LA NON UTILISATION, BRANCHER L'ALIMENTATION SUR LA PRISE.

**SEE THE OTHER SIDE**  
**VOIR LE VERSO**

**LISTED**  
**2CF1**

TEMPORARY LIGHTING STRING  
LA LUMIÈRE TEMPORAIRE  
MODEL NO/MODÈLE N°: 5038-F  
E112216 150 WATTS MAXIMUM PER BULB  
E112216 150 WATTS MAXIMUM PAR AMPOULE  
12A 125V, 1500 WATTS MAX.  
04/13 MADE IN CHINA ©  
FABRIQUÉ EN CHINE

**DO NOT REMOVE THIS LABEL**  
**NE RETIREZ PAS CETTE ÉTIQUETTE**



SEE FIGURE 1

WRAP LABEL  
AROUND CORD  
WITHIN 6" OF PLUG

- NOTES:
1. MOLDED PLUG AND CONNECTOR TO BE NEMA 5-15, INTEGRAL TO CORD.
  2. CORD TO BE #12-3 STW CABLE, 75C MINIMUM RATING.
  3. PRODUCT TO BE UL LISTED PER UL1088
  4. PROVIDED WITH 10 SNAP-ON LAMP GUARDS, UNASSEMBLED.
  5. MATERIALS:  
MOLDED SOCKET ASSEMBLY - POLYVINYLCHLORIDE, BLACK  
LAMP GUARD - POLYPROPYLENE, YELLOW  
LAMPS NOT INCLUDED.
  6. ALL DIMENSIONS ARE REFERENCE ONLY.

THIS DRAWING CONTAINS INFORMATION THAT IS PROPRIETARY TO MOLEX ELECTRONIC TECHNOLOGIES, LLC AND SHOULD NOT BE USED WITHOUT WRITTEN PERMISSION											
SYMBOLS		DIMENSION UNITS		SCALE		CURRENT REV DESC: CHANGED DRAWING TYPE TO "GENERAL MARKET (G)					
▽ = 0		INCH		1:1		EC NO: 632971					
▽ = 0		GENERAL TOLERANCES (UNLESS SPECIFIED)				DRWN: HKNEELAND 2020/02/25					
▽ = 0		ANGULAR TOL ± °				CHK'D: VOU 2020/02/26					
▽ = 0		4 PLACES ±				APPR: JFMURPHY 2020/02/27					
▽ = 0		3 PLACES ± 0.01				INITIAL REVISION:					
▽ = 0		2 PLACES ± 0.01				DRWN: MJANTELEZIO 2018/05/30					
▽ = 0		1 PLACE ± 0.02				APPR: JFMURPHY 2018/06/19					
▽ = 0		0 PLACES ±				THIRD ANGLE PROJECTION					
▽ = 0		DRAFT WHERE APPLICABLE MUST REMAIN WITHIN DIMENSIONS				DRAWING		SERIES		MATERIAL NUMBER	
▽ = 0		C-SIZE		130111		1301110054		CUSTOMER		SHEET NUMBER	

**molex**

5038-F STRINGLIGHT

PRODUCT CUSTOMER DRAWING

DOCUMENT NUMBER	DOC TYPE	DOC PART	REVISION
1301110054	PSD	000	A2
MATERIAL NUMBER	CUSTOMER	SHEET NUMBER	
1301110054		1 OF 1	