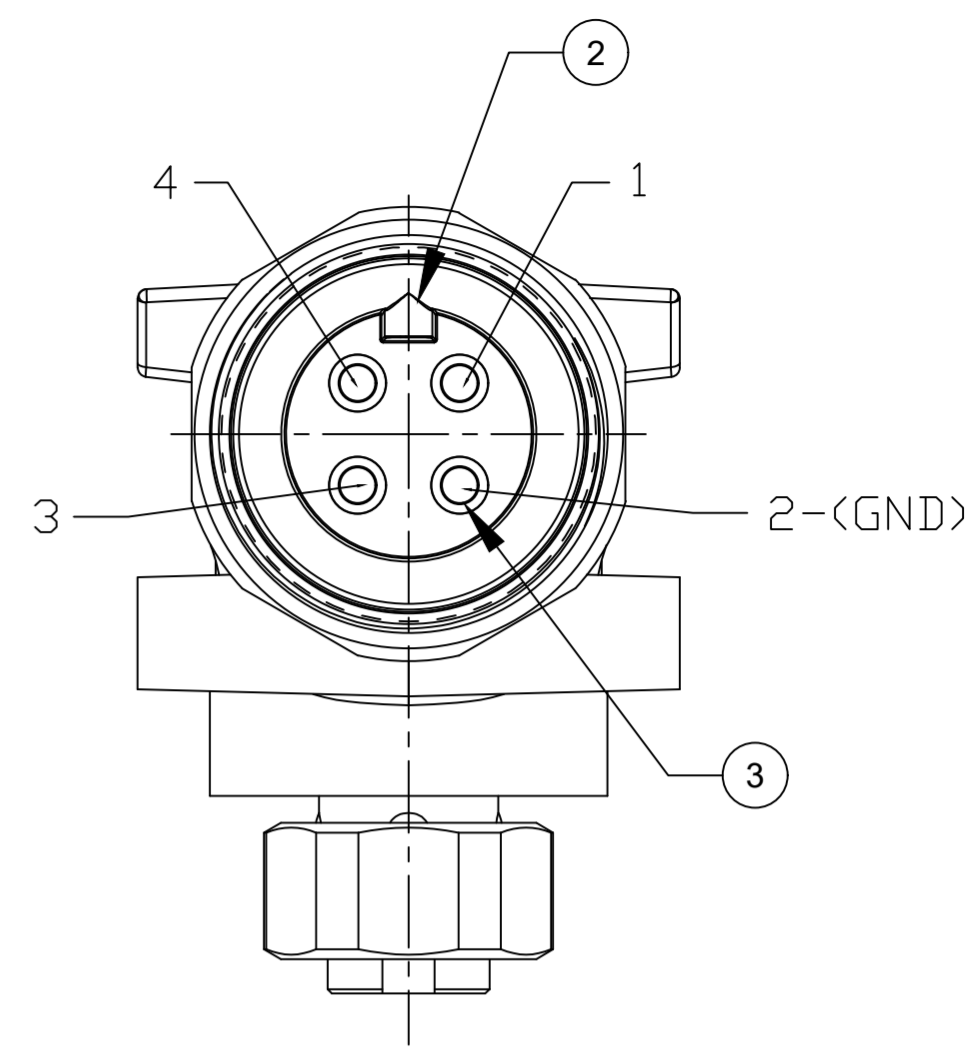
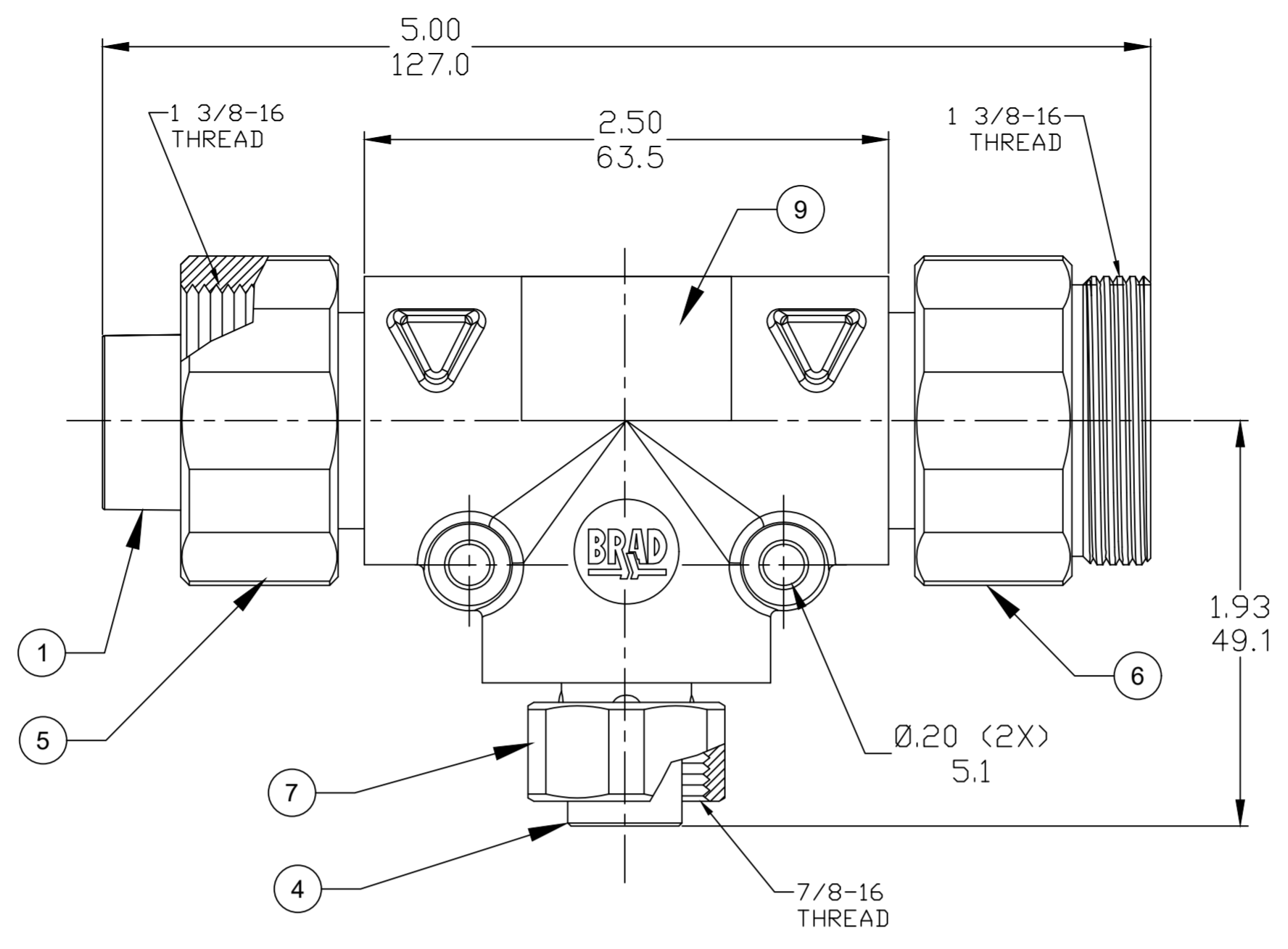
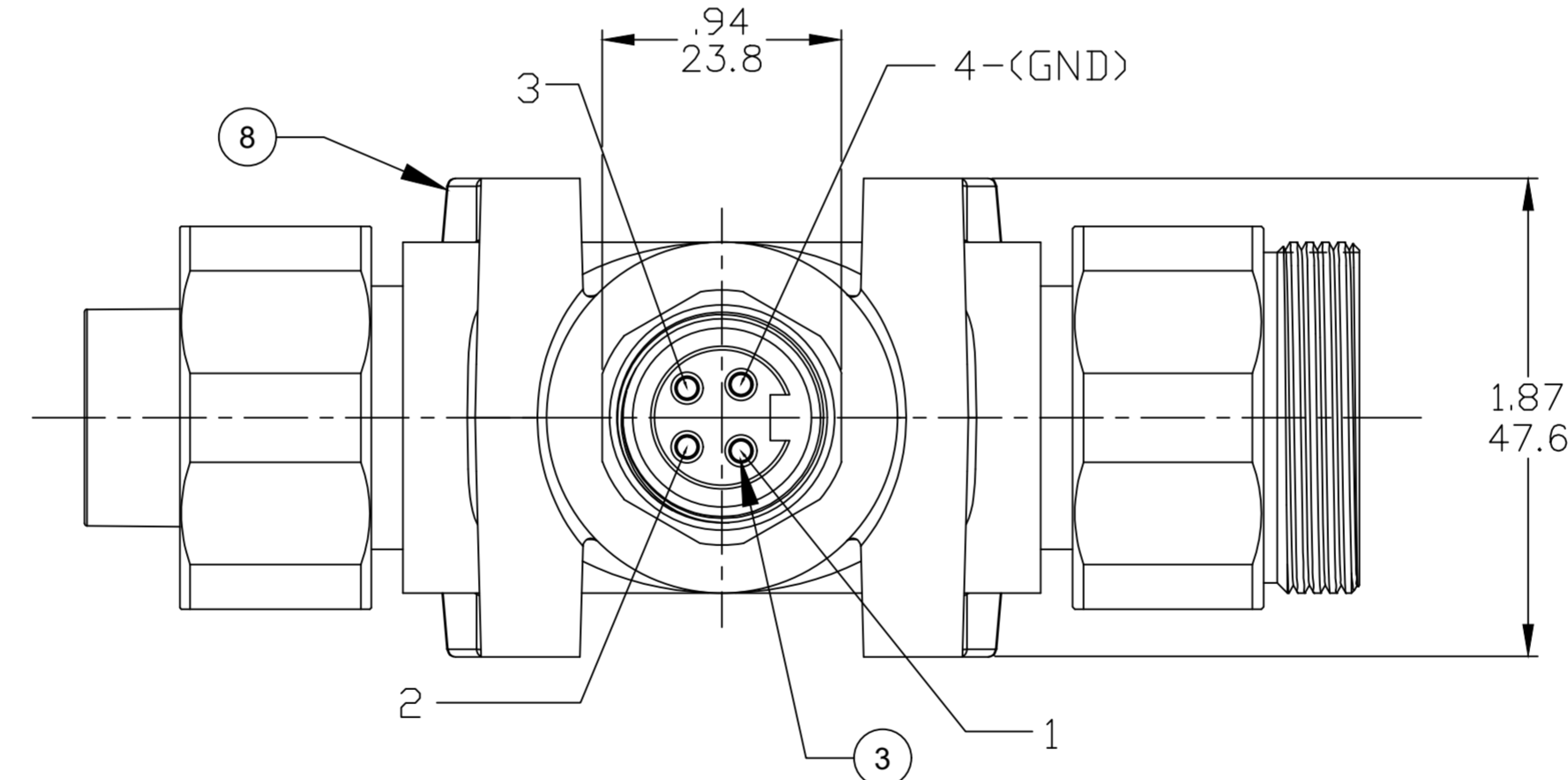


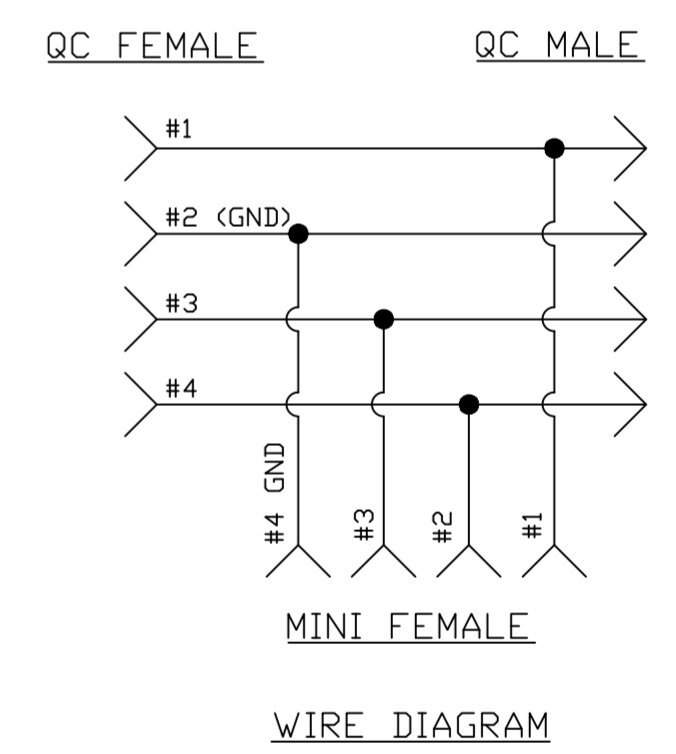
QC FEMALE FACE VIEW



QC MALE FACE VIEW



MINI CHANGE (DROP) FACE VIEW



- NOTES:
1. MATERIAL: AS NOTED
 2. FINISH: AS NOTED
 3. ELECTRICAL:
VOLTAGE: 483V PER IEC60664
600V PER UL2237
MAX THRU CURRENT: 32A
MAX DROP CURRENT: 15A (B)
 4. TEMP RATING: -20°TO +90°C
 5. PROTECTION: IP67 (WHEN MATED)
 6. COUPLING THREAD: AS NOTED
 7. UL LISTED FILE: E258922
 8. ALL DIMS ARE FOR REFERENCE UNLESS NOTED OTHERWISE

ITEM	DESCRIPTION	MATERIAL	FINISH
9	LABEL	POLYESTER	BLACK/YELLOW
8	OVERMOLD	TPE	GRAY
7	FEMALE COUPLING (MC)	ST. STEEL	PASSIVATED
6	MALE COUPLING (QC)	ST. STEEL	PASSIVATED
5	FEMALE COUPLING (QC)	ST. STEEL	PASSIVATED
4	FEMALE COUPLING (QC)	ST. STEEL	PASSIVATED
4	FEMALE INSERT (MC)	TPE	BLACK
3	CONTACTS	COPPER ALLOY	GOLD PLATED
2	MALE INSERT (MC)	TPE	BLACK
1	FEMALE INSERT (QC)	TPE	BLACK

(B)

PART NO.	ENGINEERING NO.
1300680070	TC40140-2008

FUNCTIONAL SYMBOLS $\nabla_A=0$ $\nabla_C=0$ $\nabla_P=0$ DIVISIONAL SYMBOLS	THIS DRAWING CONTAINS INFORMATION THAT IS PROPRIETARY TO MOLEX ELECTRONIC TECHNOLOGIES, LLC AND SHOULD NOT BE USED WITHOUT WRITTEN PERMISSION		CURRENT REV DESC: UPDATE AMPS, UPDATE MATERIALS					
	DIMENSION UNITS INCH/MM	SCALE NTS	EC NO: 660415 DRWN: CCHRSTKA 2021/04/08 CHK'D: ALEON01 2021/04/13 APPR: BWOODMAN 2021/05/05					
	GENERAL TOLERANCES (UNLESS SPECIFIED)		INITIAL REVISION: DRWN: RSTONE 2017/09/19 APPR: BWOODMAN 2017/10/04					
	4 PLACES ±---- ±---- 3 PLACES ±---- ±0.005 2 PLACES ±0.13 ±0.01 1 PLACE ±0.25 ±0.02 0 PLACES ±---- ±---- ANGULAR TOL ± --- °	DRAFT WHERE APPLICABLE MUST REMAIN WITHIN DIMENSIONS		THIRD ANGLE PROJECTION	DRAWING C-SIZE	SERIES 130068	MATERIAL NUMBER 1300680070	CUSTOMER GENERAL MARKET

molex

QUICK CHANGE TEE
QC 4P M/F TO MC 4P FEMALE DROP

PRODUCT CUSTOMER DRAWING

DOCUMENT NUMBER	DOC TYPE/DOC PART	REVISION
SD-130068-025	PSD 001	B