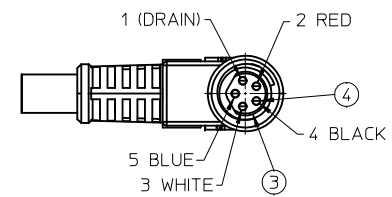
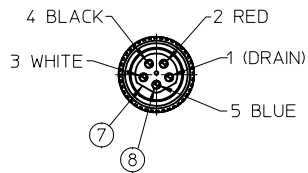
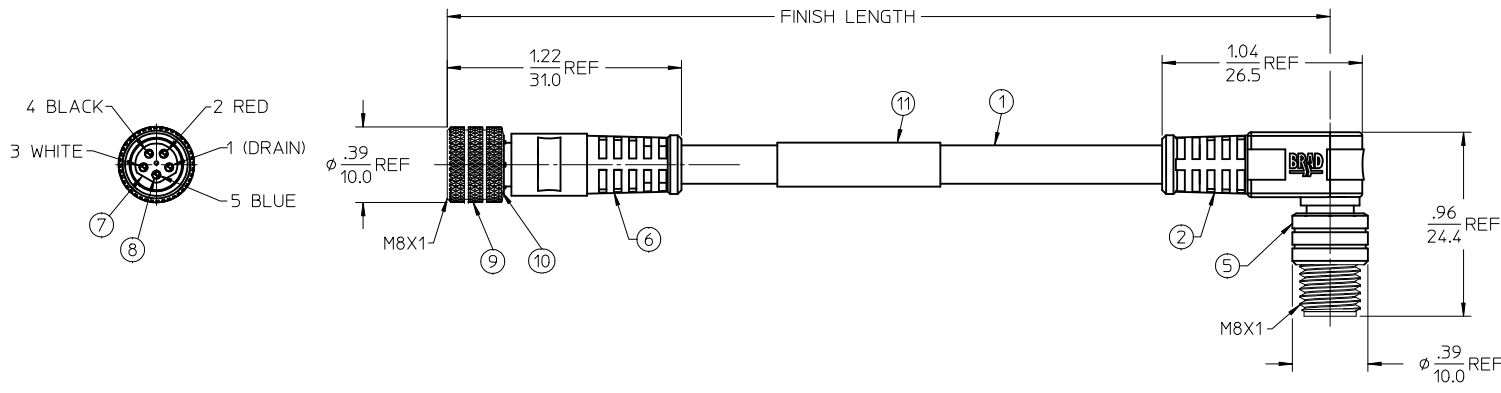
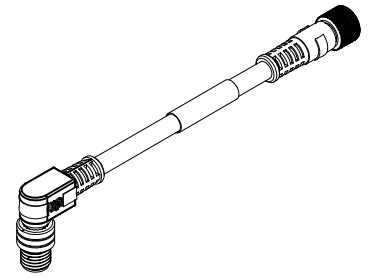


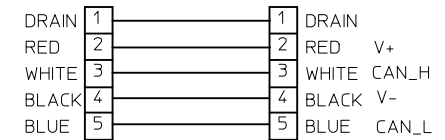
13	12	11	10
MATERIAL	ENG-NUMBER	LENGTH	LENGTH TOL.
1300300004	445032D12M010	1M (3'-4")	+58.7MM -0(+2.31" -0")



Partial1
Scale 2:1

- NOTES:
- 1.) MATERIAL: SEE TABLE
 - 2.) FINISHES: SEE TABLE
 - 3.) ELECTRICAL: 60VAC 75VDC, 1.68 AMPS
 - 4.) CABLE:
TWO SHIELDED PAIRS
26AWG/ 4C 300VDC
-20 TO +70°C @ 1.68 AMPS
 - 5.) IP67
 - 6.) ASSEMBLY IS RoHS COMPLIANT

WIRING CONNECTION



11	1	MFG LABEL	PLASTIC FILM	BLACK/YELLOW
10	1	O-RING	VITON	RED
9	1	FEMALE COUPLING NUT	BRASS	NICKEL PLATED
8	5	FEMALE CONTACT	Cu ALLOY	GOLD PLATED
7	1	NC 5 POLE FEM. INSERT	PUR	BLACK
6	1	OVERMOLD BODY	TPE	GRAY
5	1	MALE COUPLING NUT	BRASS	NICKEL PLATED
4	5	MALE CONTACT	Cu ALLOY	GOLD PLATED
3	1	NC 5 POLE MALE INSERT	PUR	BLACK
2	1	OVERMOLD BODY	TPE	GRAY
1	1	CABLE, 4P, 26 AWG	PVC JACKET	GRAY
ITEM	QTY	DESCRIPTION	MATERIAL	FINISH

CREATE DOC. EC NO: WNA2010-0452 DRW:BRUPERT 2010/01/25 CHKD:RUPERT 2010/01/29 APPR:JFMURPHY 2010/01/29	QUALITY SYMBOLS 	GENERAL TOLERANCES (UNLESS SPECIFIED)		DIMENSION STYLE IN/MM		SCALE 2:1	DESIGN UNITS INCH	THIRD ANGLE PROJECTION	
		4 PLACES ± --- ± --- 3 PLACES ± --- ± --- 2 PLACES ± --- ± --- 1 PLACE ± --- ± ---	mm INCH ± --- ± --- ± --- ± --- ± --- ± ---	DRAWN BY B. RUPERT	DATE 01/15/2010	TITLE NC STR 5P FEMALE TO NC 90D 5P MALE DEVICENET			
		ANGULAR ±1/2°		CHECKED BY B. WOODMAN	DATE 01/15/2010	MOLEX INCORPORATED			
		DRAFT WHERE APPLICABLE MUST REMAIN WITHIN DIMENSIONS		APPROVED BY JFMURPHY	DATE 2010/01/29	MATERIAL NO. SEE CHART	DOCUMENT NO. SD-130030-004	SHEET NO. 1 OF 1	

THIS DRAWING CONTAINS INFORMATION THAT IS PROPRIETARY TO MOLEX INCORPORATED AND SHOULD NOT BE USED WITHOUT WRITTEN PERMISSION