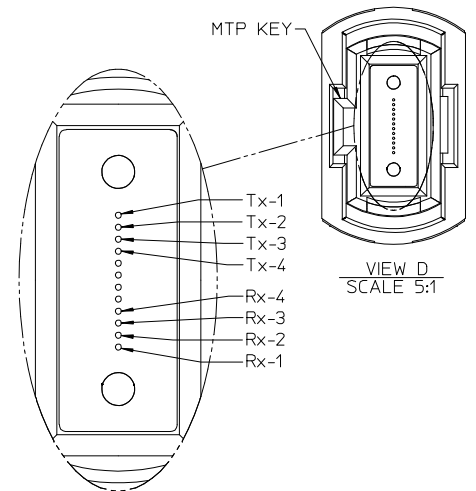
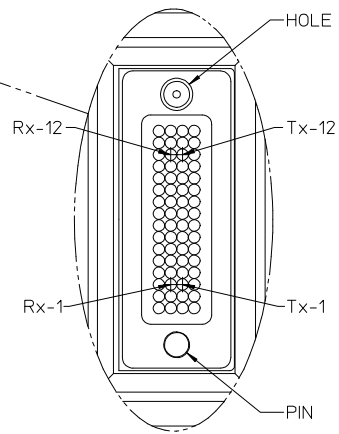
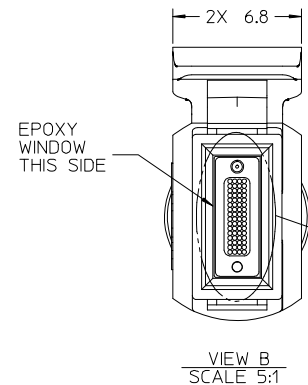
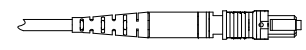
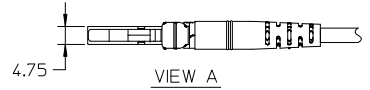
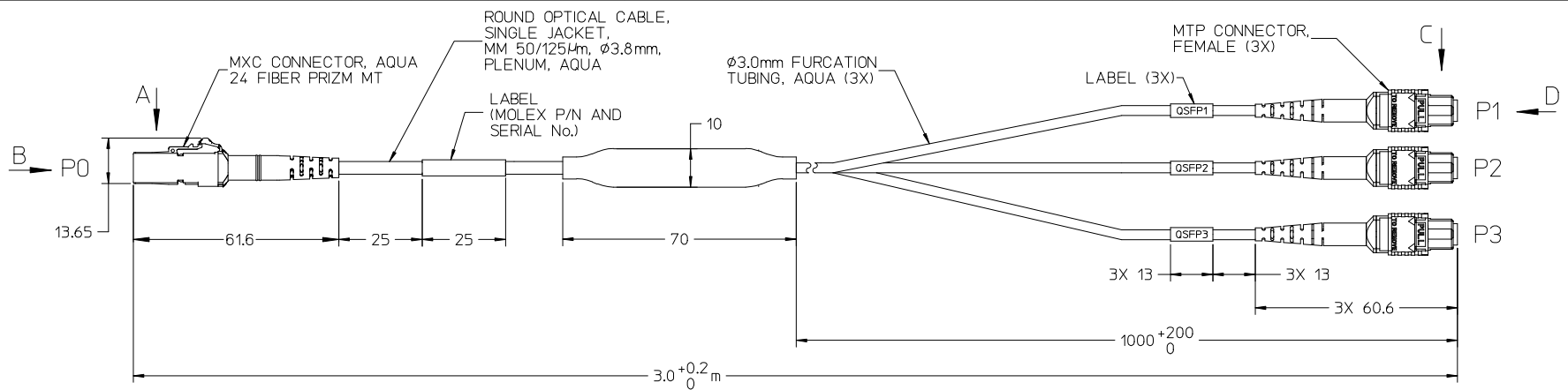


CONNECTIONS		
FROM PO	TO	
Rx-1	Tx-1	P1
Rx-2	Tx-2	
Rx-3	Tx-3	
Rx-4	Tx-4	
Rx-5	Tx-1	P2
Rx-6	Tx-2	
Rx-7	Tx-3	
Rx-8	Tx-4	P3
Rx-9	Tx-1	
Rx-10	Tx-2	
Rx-11	Tx-3	
Rx-12	Tx-4	P1
Tx-1	Rx-1	
Tx-2	Rx-2	
Tx-3	Rx-3	
Tx-4	Rx-4	P2
Tx-5	Rx-1	
Tx-6	Rx-2	
Tx-7	Rx-3	
Tx-8	Rx-4	P3
Tx-9	Rx-1	
Tx-10	Rx-2	
Tx-11	Rx-3	
Tx-12	Rx-4	



CABLE ASSEMBLY SPECIFICATIONS:

OPTICAL PROPERTIES

FIBER TYPE MULTIMODE 50/125 μm OM4 BEND-INSENSITIVE
 CONNECTOR INSERTION LOSS (MAX.) MXC - ESTIMATED 1.2 dB
 MTP - 0.5 dB

CABLE ATTENUATION (MAX.) 3.0/1.2 dB/km AT 850/1300 nm
 OVERFILLED LAUNCH BANDWIDTH, MIN. 3500/550 MHz-km AT 850/1300 nm
 10 GIGABIT ETHERNET LINK DISTANCE, MIN. 550 m AT 850 nm
 40 & 100 GIGABIT ETHERNET LINK DISTANCE, MIN. 150/150 MHz-km AT 850/1300 nm
 EFFECTIVE MODAL BANDWIDTH 4700 MHz-km

ENVIRONMENTAL PROPERTIES

CONNECTOR MATERIALS UL94 V-0
 CABLE FLAMMABILITY RATING PLENUM OFNP (NFPA 262/UL 910)
 OPERATING TEMPERATURE RANGE -0°C TO +60°C

MECHANICAL PROPERTIES

FIBER COUNT MXC 24F = 12 Rx / 12 Tx
 QSFP 8F = 4 Rx / 4 Tx

CABLE MIN. BEND RADIUS
 SHORT TERM 57 mm
 LONG TERM 20 mm
 NO LOAD 12.5 mm

COMPRESSIVE FORCE >3.5 N/mm

ENTER DESCRIPTION EC NO: MF2015-0239 DRAWN: IGUMIN 2014/10/23 CHKD: IGUMIN APPR: IGUMIN 2014/11/14	QUALITY SYMBOLS ▽=0 ▽=0	GENERAL TOLERANCES (UNLESS SPECIFIED)		DIMENSION STYLE	SCALE	DESIGN UNITS	THIRD ANGLE PROJECTION
				MM ONLY	1:1	INCH	
				DRAWN BY	DATE	TITLE	
				CHECKED BY	DATE		
		APPROVED BY		DATE	molex		
		MATERIAL NO.		DOCUMENT NO.	SHEET NO.		
		1062105003		SD-106210-5003	1 OF 1		
DRAFT WHERE APPLICABLE MUST REMAIN WITHIN DIMENSIONS							
THIS DRAWING CONTAINS INFORMATION THAT IS PROPRIETARY TO MOLEX INCORPORATED AND SHOULD NOT BE USED WITHOUT WRITTEN PERMISSION							