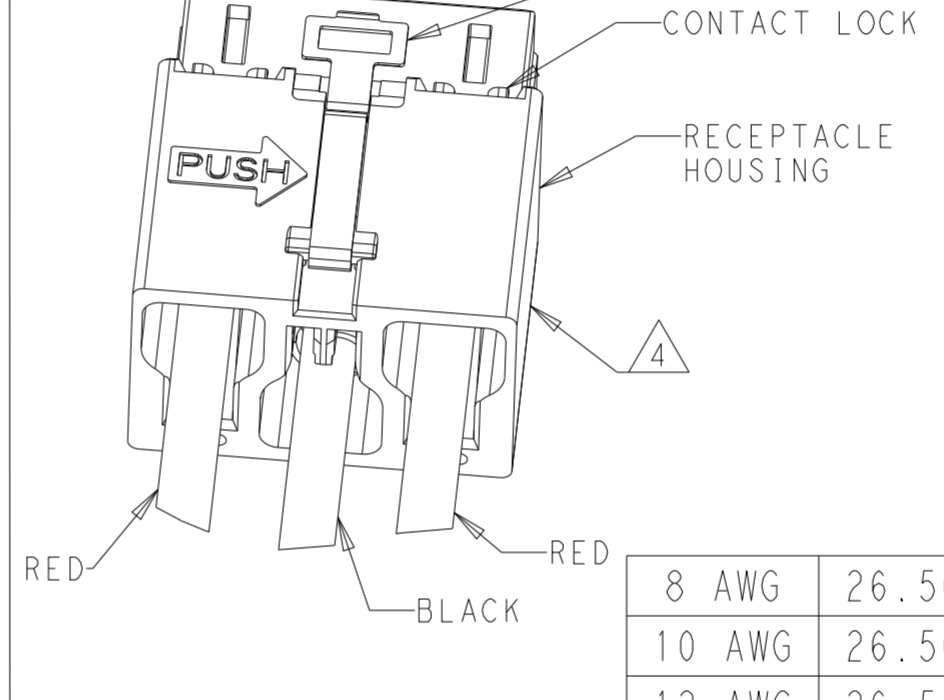
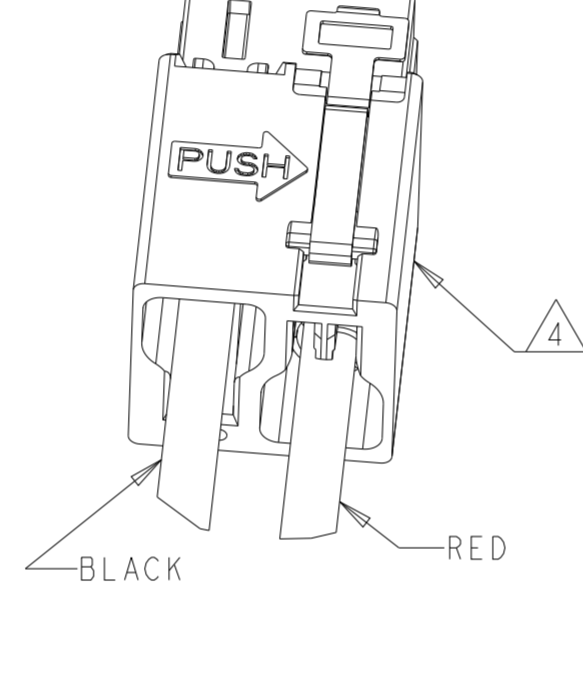
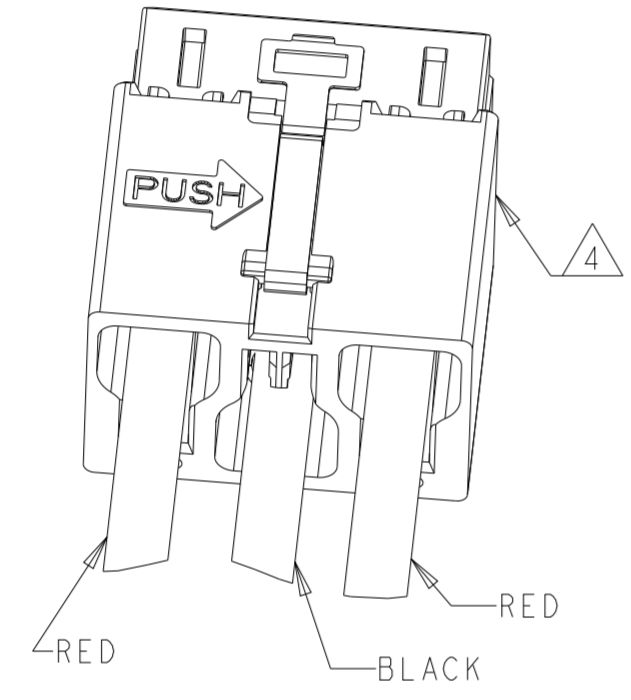
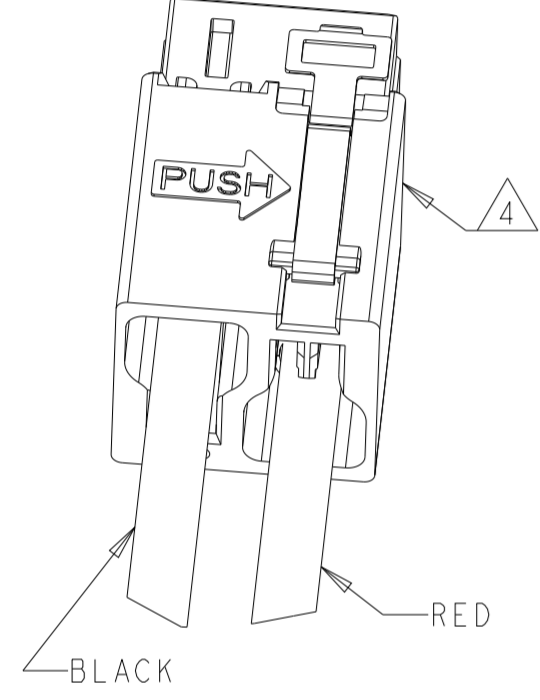
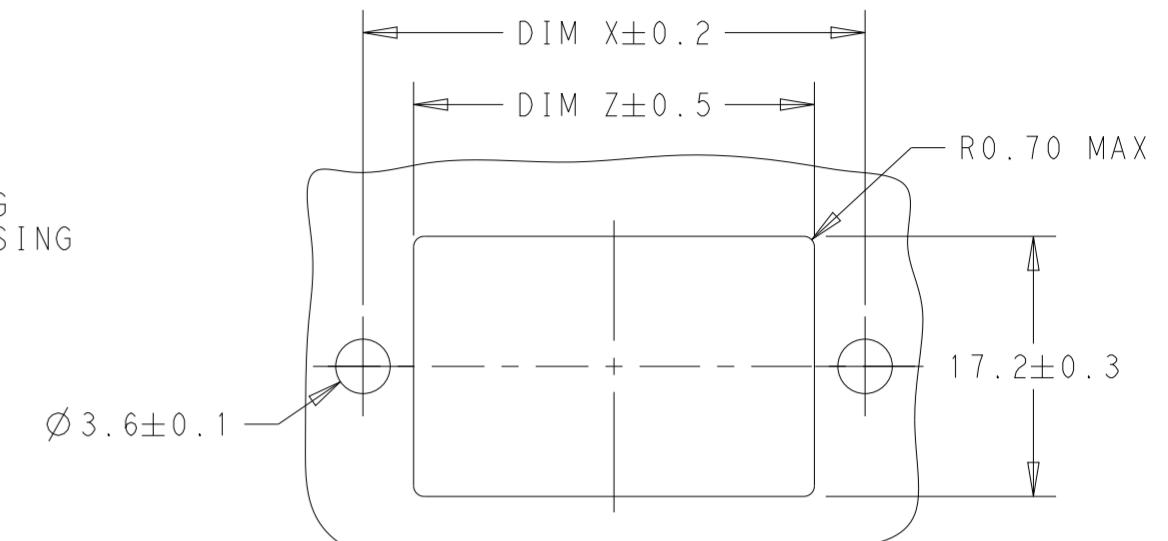
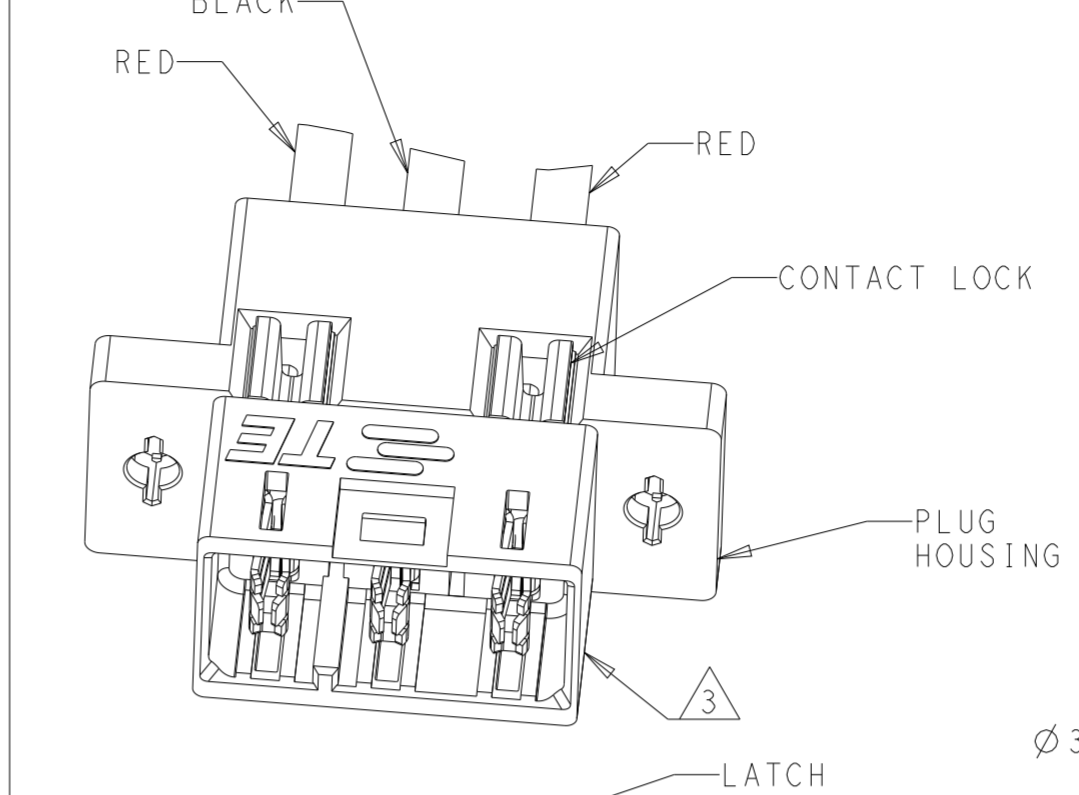
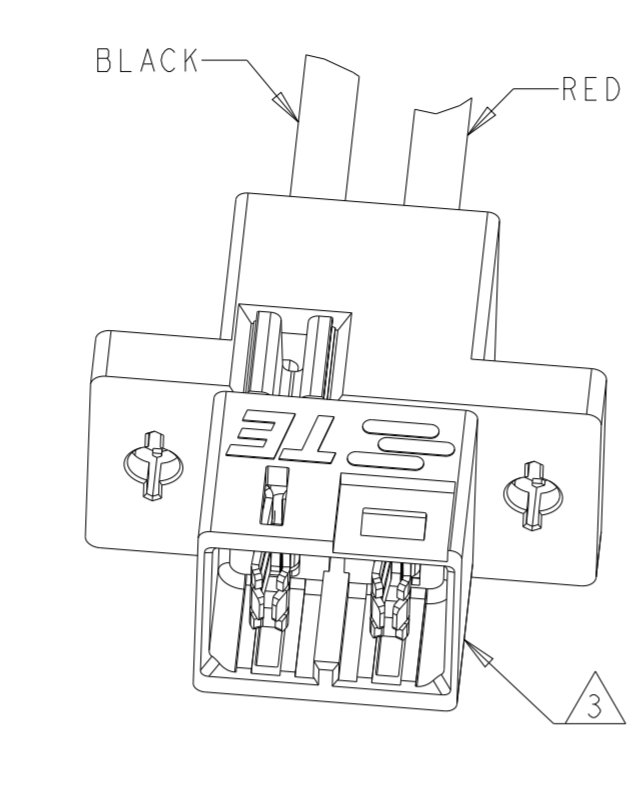
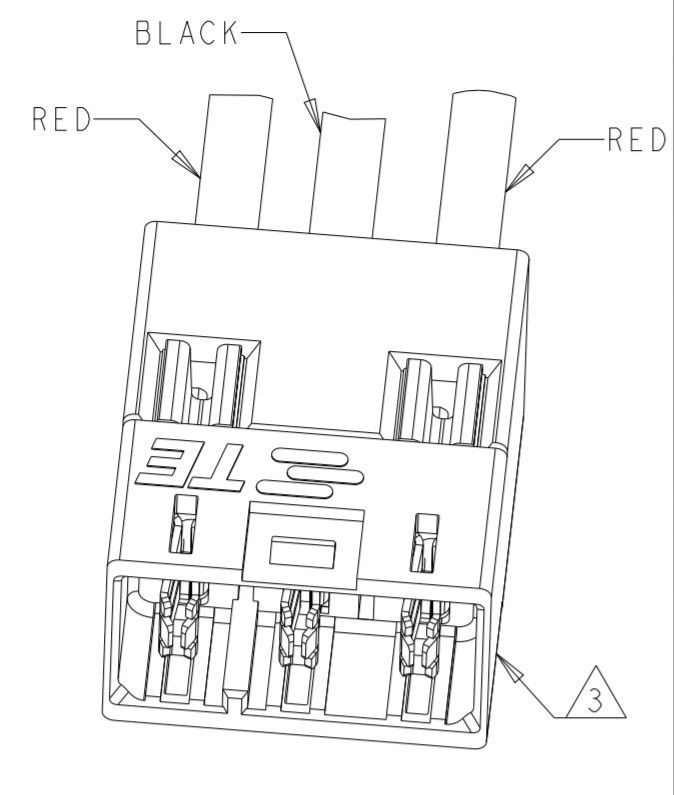
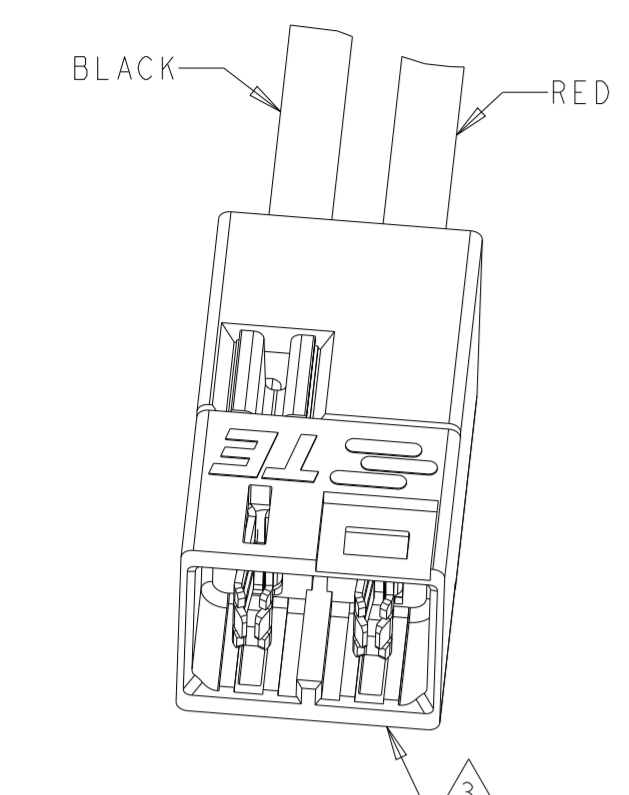


THIS DRAWING IS UNPUBLISHED. RELEASED FOR PUBLICATION 20  
 © COPYRIGHT 20 BY - ALL RIGHTS RESERVED.

REVISIONS					
P	LTR	DESCRIPTION	DATE	DWN	APVD
A		INITIAL RELEASE TO PRODUCTION	14SEP2021	-	-
B		REVISED PER ECN-22-176108	30SEP2022	LP	RL



SCALE 2:1  
2 POSITION KIT  
2332663-1 THRU -4

SCALE 2:1  
3 POSITION KIT  
2332663-5 THRU -8

SCALE 2:1  
2 POSITION KIT  
PANEL MOUNT  
2332663-9 THRU  
1-2332663-2

SCALE 2:1  
3 POSITION KIT  
PANEL MOUNT  
1-2332663-3 THRU  
1-2332663-6

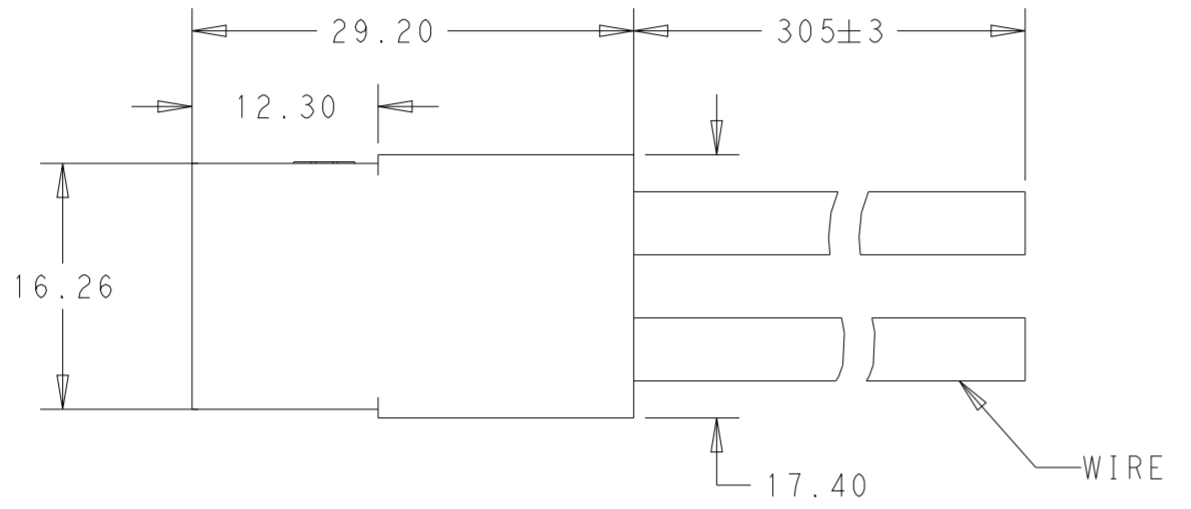
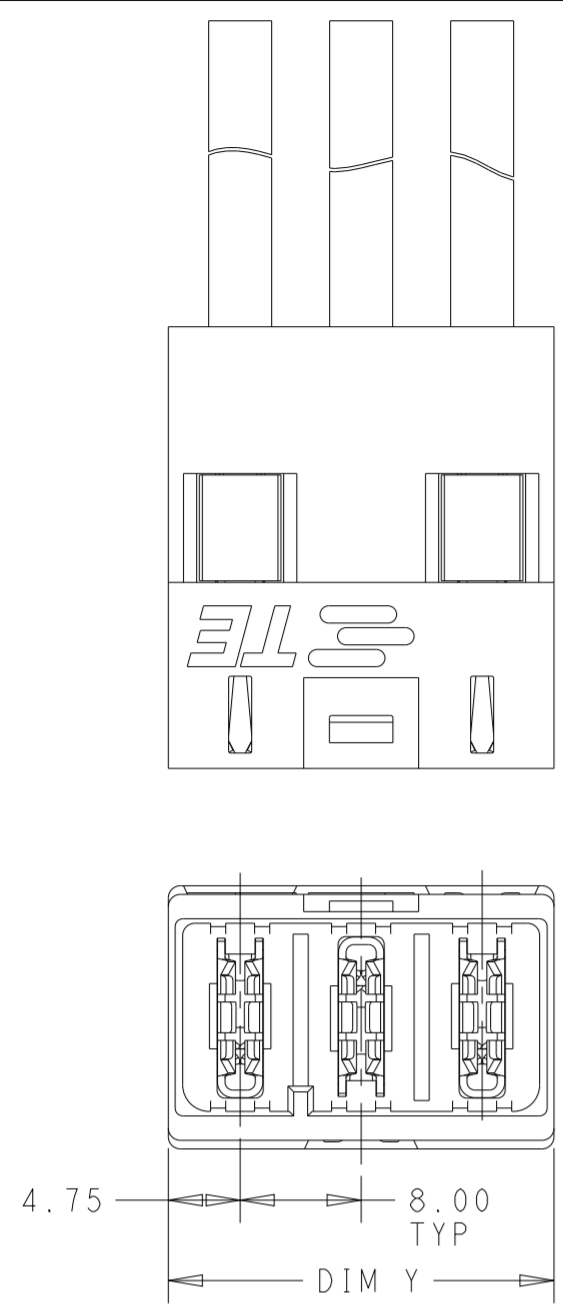
8 AWG	26.50	41.90	33.20	25.50	YES	3	1-2332663-6
10 AWG	26.50	41.90	33.20	25.50	YES	3	1-2332663-5
12 AWG	26.50	41.90	33.20	25.50	YES	3	1-2332663-4
14 AWG	26.50	41.90	33.20	25.50	YES	3	1-2332663-3
8 AWG	18.50	33.90	25.20	17.50	YES	2	1-2332663-2
10 AWG	18.50	33.90	25.20	17.50	YES	2	1-2332663-1
12 AWG	18.50	33.90	25.20	17.50	YES	2	1-2332663-0
14 AWG	18.50	33.90	25.20	17.50	YES	2	2332663-9
8 AWG	-	-	-	25.50	NO	3	2332663-8
10 AWG	-	-	-	25.50	NO	3	2332663-7
12 AWG	-	-	-	25.50	NO	3	2332663-6
14 AWG	-	-	-	25.50	NO	3	2332663-5
8 AWG	-	-	-	17.50	NO	2	2332663-4
10 AWG	-	-	-	17.50	NO	2	2332663-3
12 AWG	-	-	-	17.50	NO	2	2332663-2
14 AWG	-	-	-	17.50	NO	2	2332663-1
WIRE SIZE	DIM Z	DIM W	DIM X	DIM Y	PANEL MOUNT	POSITIONS	PART NO.

- ① MATERIAL: LATCH - STAINLESS STEEL  
CONTACTS - HIGH CONDUCTIVITY COPPER ALLOY  
HOUSINGS - THERMOPLASTIC, UL94 V-0  
MAIN HOUSINGS COLOR: ORANGE  
CONTACT LOCKS COLOR: WHITE  
WIRE - STRANDED COPPER WITH SILICONE JACKET,  
RATED TO 200°C  
COLOR: RED OR BLACK AS SHOWN.
- ② CONTACT FINISH: NICKEL UNDERPLATE ALL OVER.  
NOBLE METAL PLATING ON CONTACT FUNCTIONAL  
AREA. TIN PLATING IN CRIMP AREA
- ③ REFERENCE PLUG CONNECTOR ASSEMBLY TE P/N 2332673
- ④ REFERENCE RECEPTACLE CONNECTOR ASSEMBLY TE P/N 2332672
- 5. KIT PACKAGED UNMATED IN PLASTIC BAG.
- ⑥ FEATURES DESIGNED TO RETAIN M3 THIN HEX NUT (DIN 439)

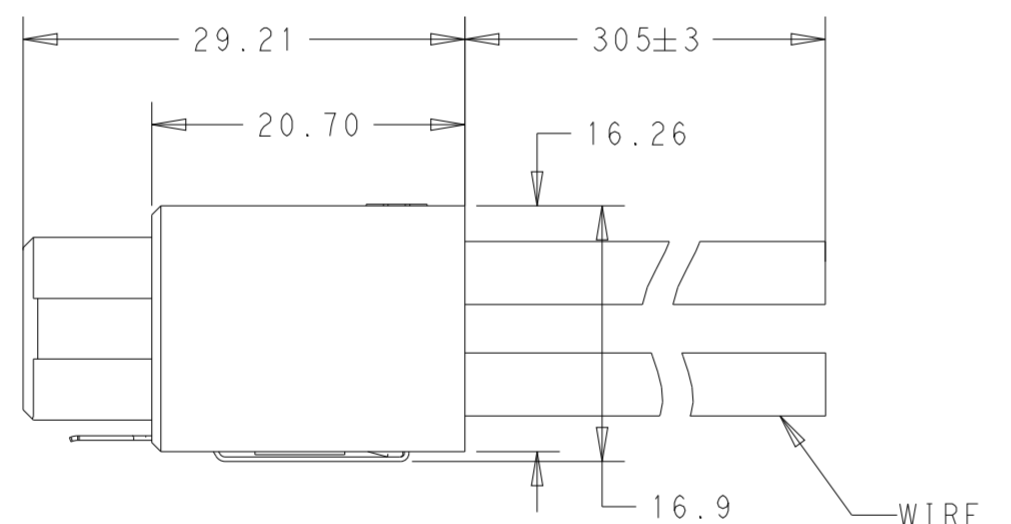
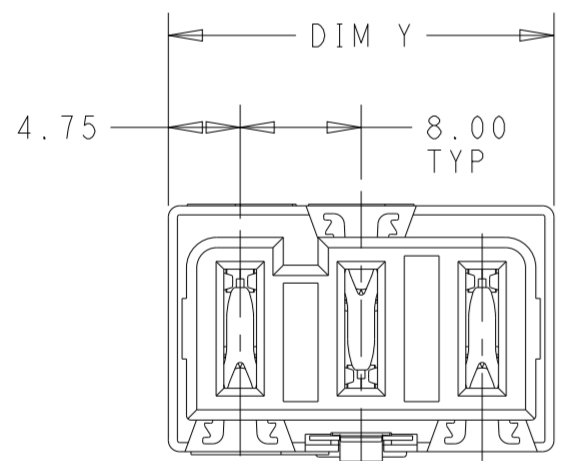
THIS DRAWING IS A CONTROLLED DOCUMENT. DWN: K. MILLER 08OCT2018  
 CHK: N. RUFFINI 10OCT2018  
 APVD: -  
 DIMENSIONS: mm  
 TOLERANCES UNLESS OTHERWISE SPECIFIED:  
 0 PLC ±-  
 1 PLC ±0.25  
 2 PLC ±0.13  
 3 PLC ±-  
 4 PLC ±-  
 ANGLES ±2°  
 FINISH  
 MATERIAL ①  
 ②  
 THIS DRAWING IS A CONTROLLED DOCUMENT. DWN: K. MILLER 08OCT2018  
 CHK: N. RUFFINI 10OCT2018  
 APVD: -  
 PRODUCT SPEC 108-163021  
 APPLICATION SPEC 114-163021  
 WEIGHT -  
 CUSTOMER DRAWING  
 NAME UMP, PLUG AND RECEPTACLE, CONNE  
 SIZE A2 CAGE CODE 00779 DRAWING NO C-2332663 RESTRICTED TO  
 SCALE 3:1 SHEET 1 OF 2 REV B

THIS DRAWING IS UNPUBLISHED. RELEASED FOR PUBLICATION 20  
 © COPYRIGHT 20 BY - ALL RIGHTS RESERVED.

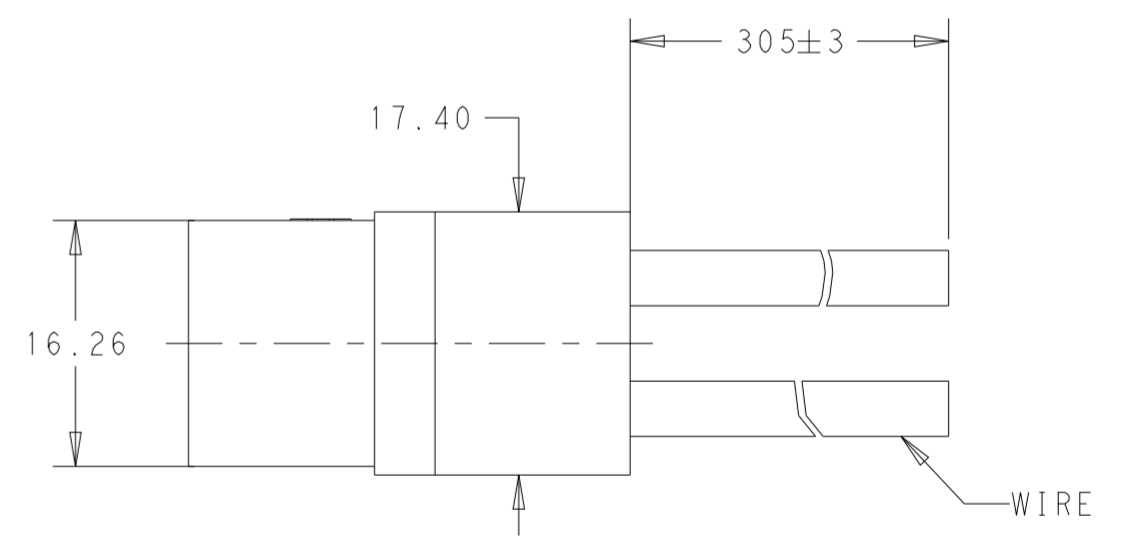
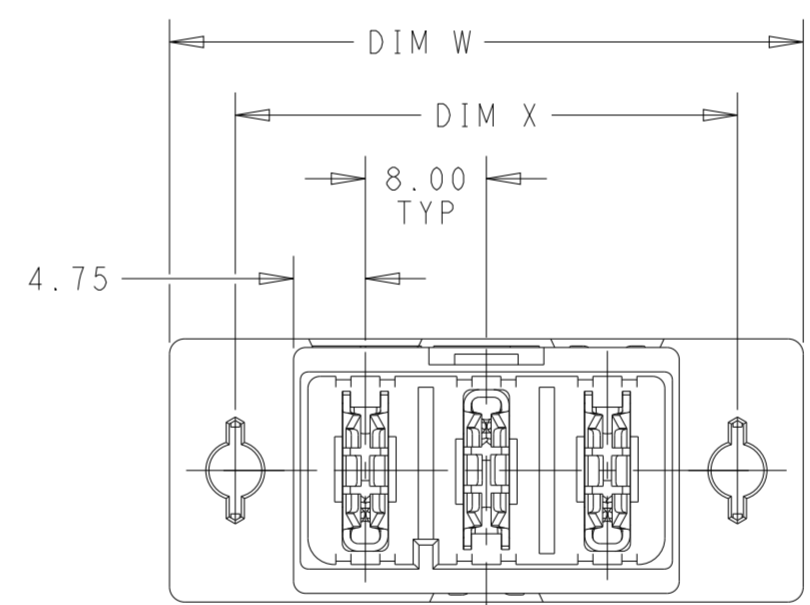
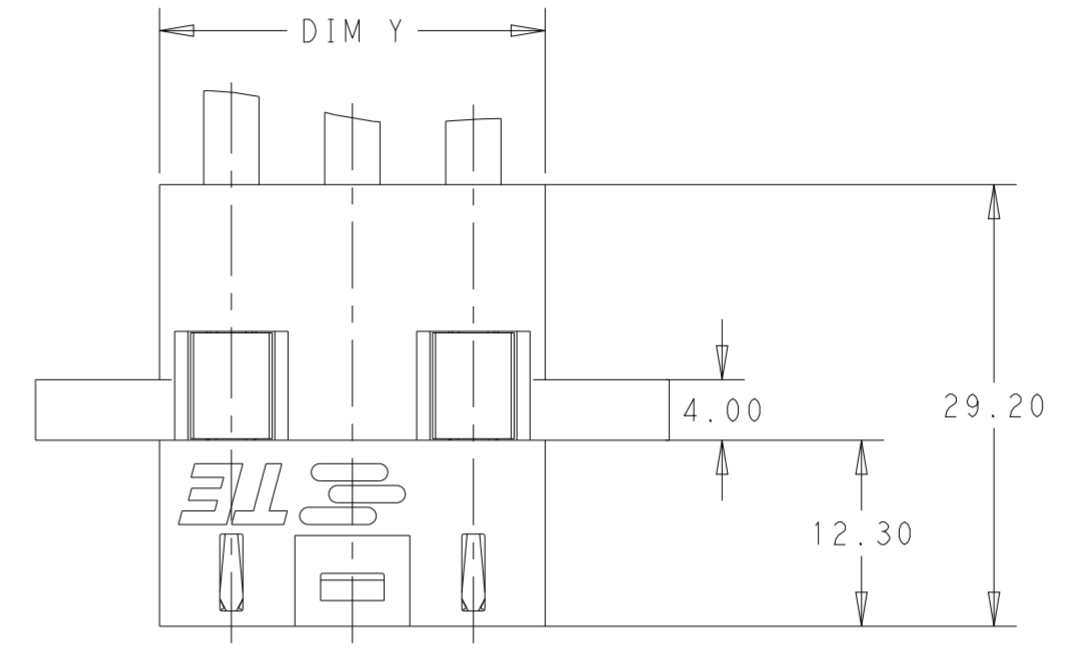
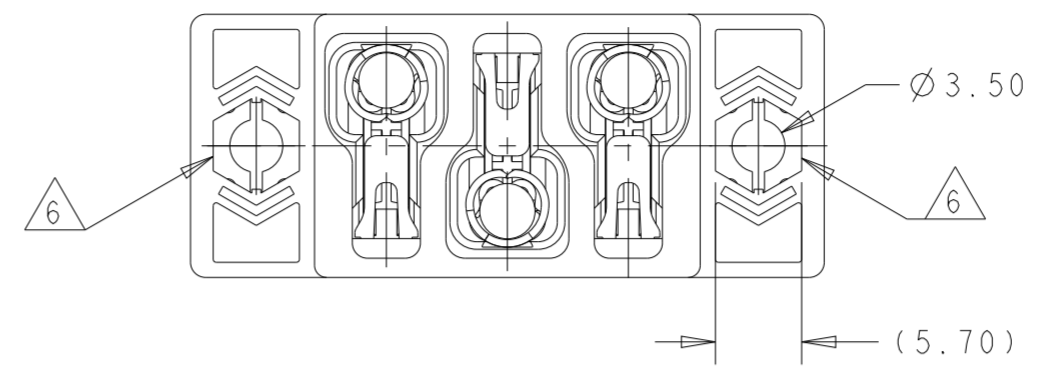
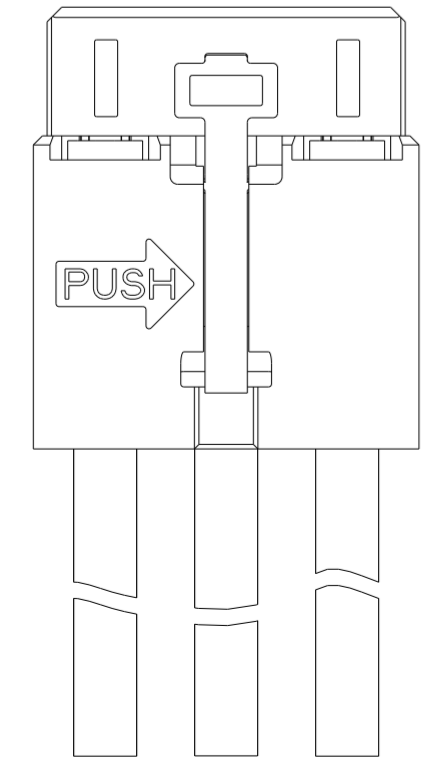
REVISIONS				
P	LTR	DESCRIPTION	DATE	APVD
-	-	SEE SHEET 1	-	-




PLUG DIMENSIONS  
(NO PANEL MOUNT)



RECEPTACLE DIMENSIONS



PLUG DIMENSIONS  
(WITH PANEL MOUNT)

THIS DRAWING IS A CONTROLLED DOCUMENT.		DWN K. MILLER 08OCT2018	 TE Connectivity	
DIMENSIONS: mm		CHK N. RUFFINI 10OCT2018		
TOLERANCES UNLESS OTHERWISE SPECIFIED:		APVD -	NAME UMP, PLUG AND RECEPTACLE, CONNE	
0 PLC ±-		PRODUCT SPEC 108-163021	-	
1 PLC ±0.25		APPLICATION SPEC 114-163021	-	
2 PLC ±0.13		WEIGHT -	SIZE A2	CAGE CODE 00779
3 PLC ±-		CUSTOMER DRAWING	DRAWING NO C-2332663	RESTRICTED TO -
4 PLC ±-		SCALE 3:1	SHEET 2 OF 2	REV B
ANGLES ±2°				
FINISH				