

MATERIALS AND FINISHES

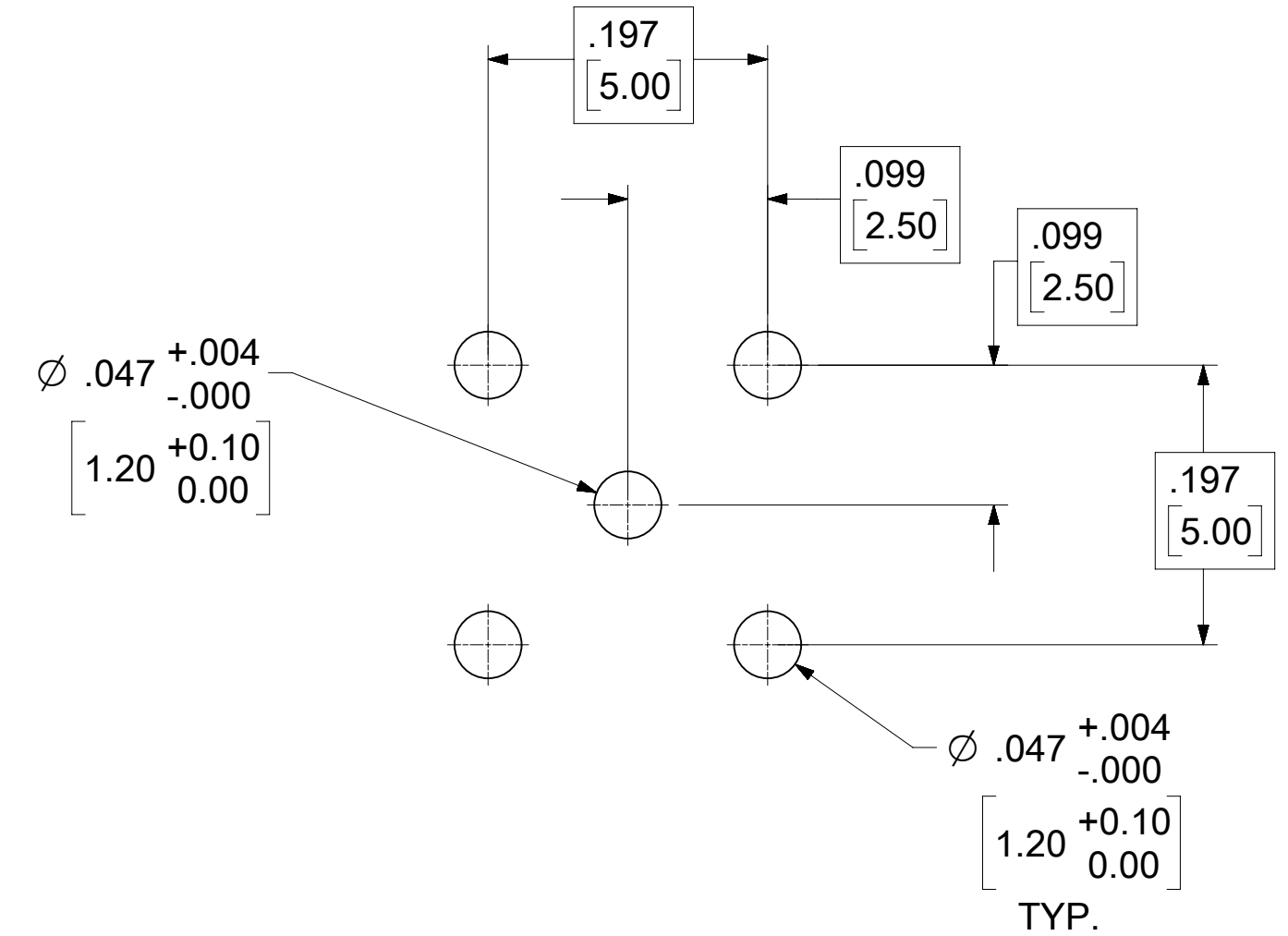
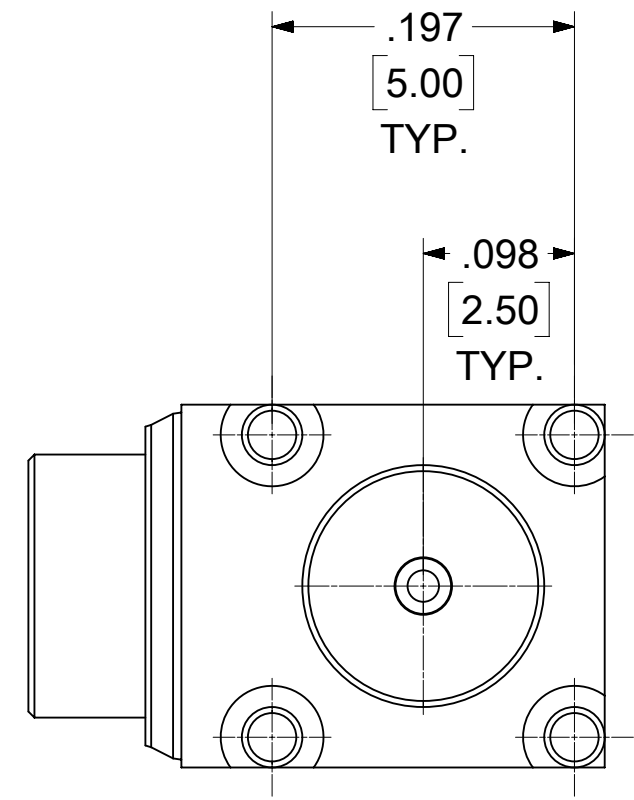
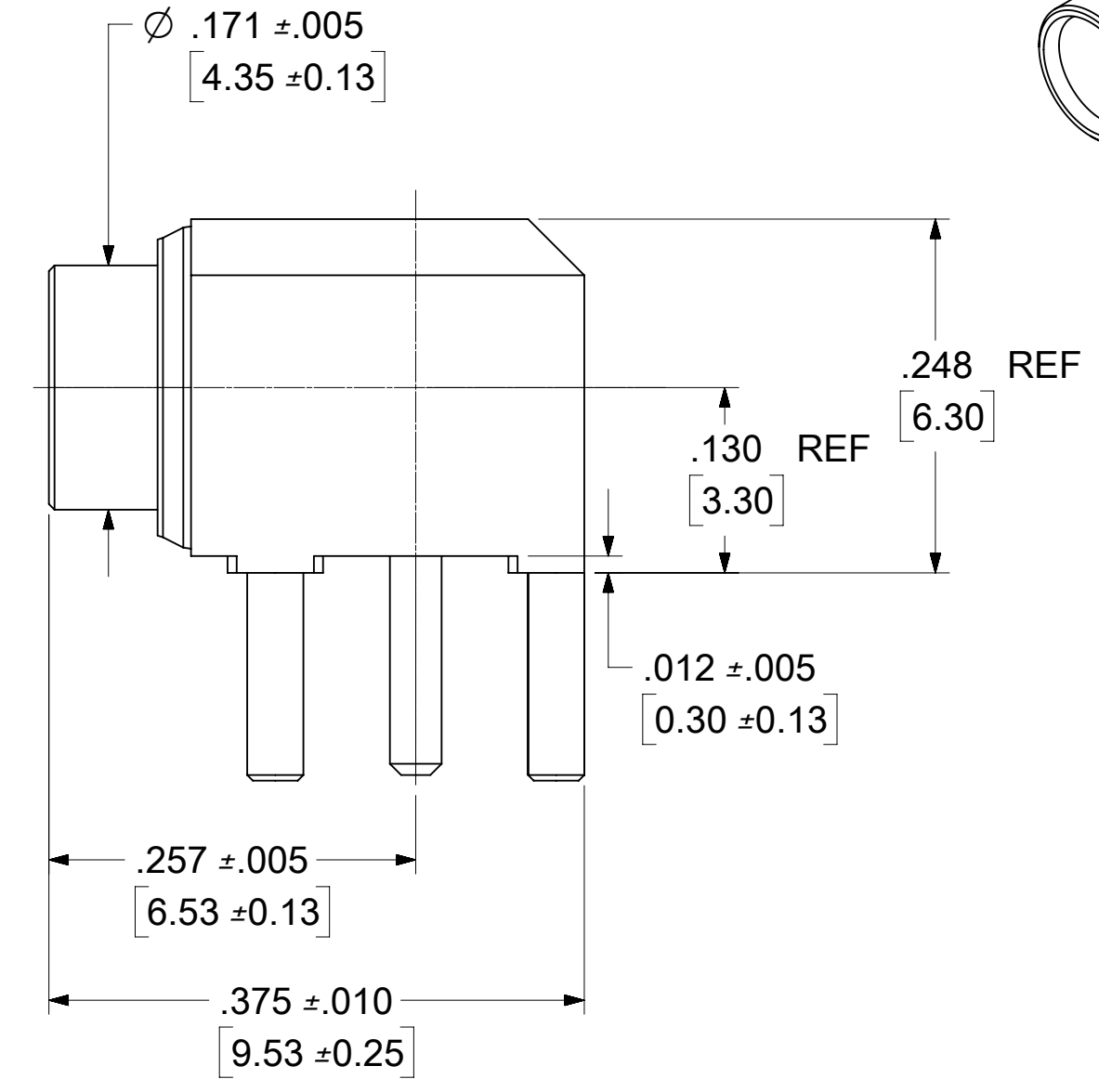
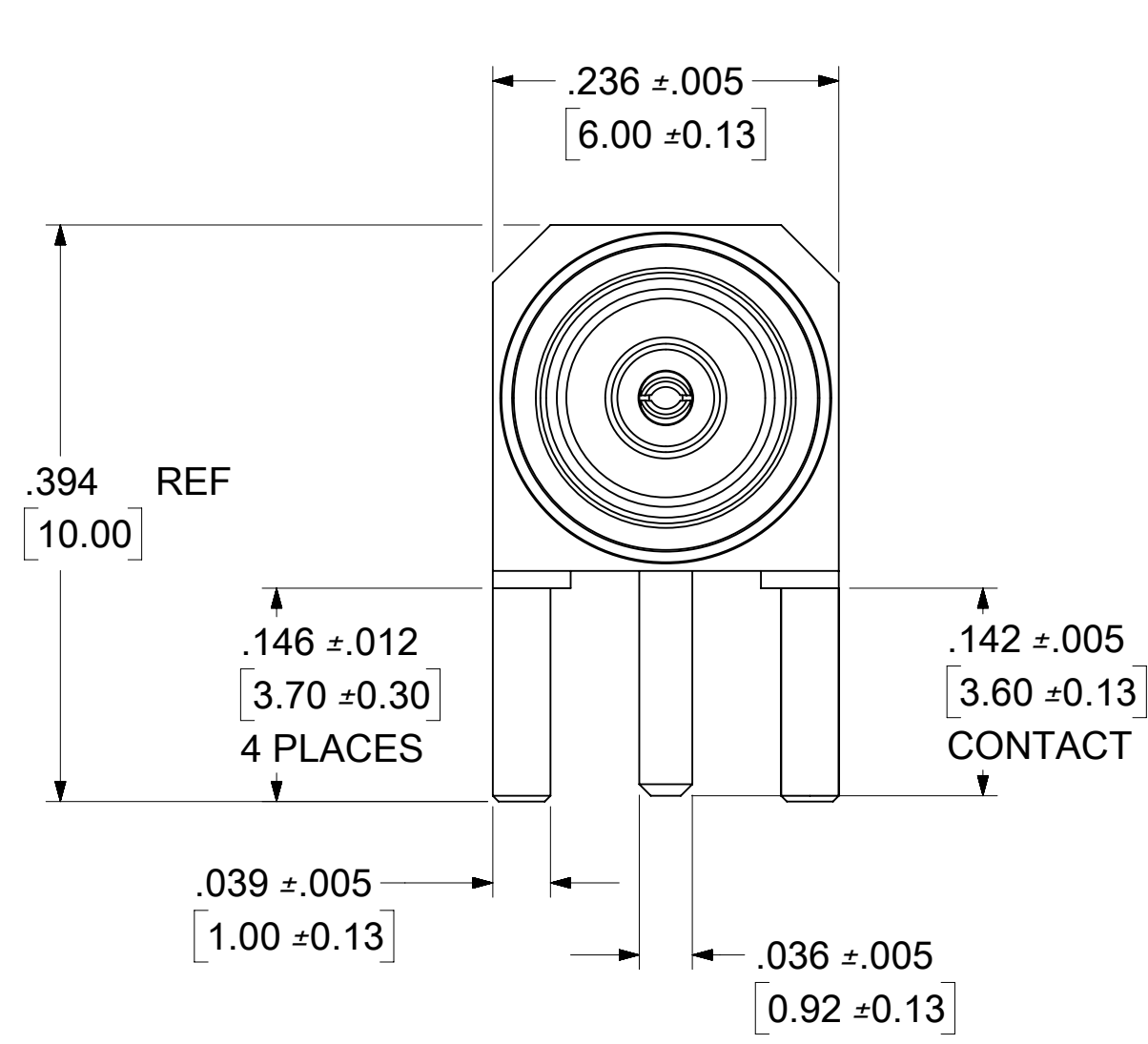
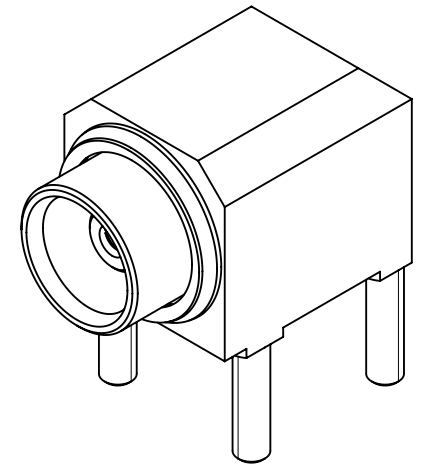
(73366-0030/73366-0031)
FRONT BODY BRASS
PLATED NICKEL

(73366-0032)
FRONT BODY BRASS
PLATED GOLD

CENTER CONTACT BERYLLIUM COPPER
PLATED GOLD

INSULATOR TEFLON

HOUSING ZINC ALLOY
PLATED TIN



73366-0036	73366-0032 PACKED BY TRAY (54CAV.)
73366-0035	73366-0030 PACKED ONE PER BAG
73366-0034	73366-0031 SMALL TRAY (20 CAV.)
73366-0033	73366-0030 SMALL TRAY (20 CAV.)
73366-0032	TAPE & REEL
73366-0031	TRAY (80 CAV.)
73366-0030	TRAY (80 CAV.)
PART NO.	PACKAGING DESCRIPTION

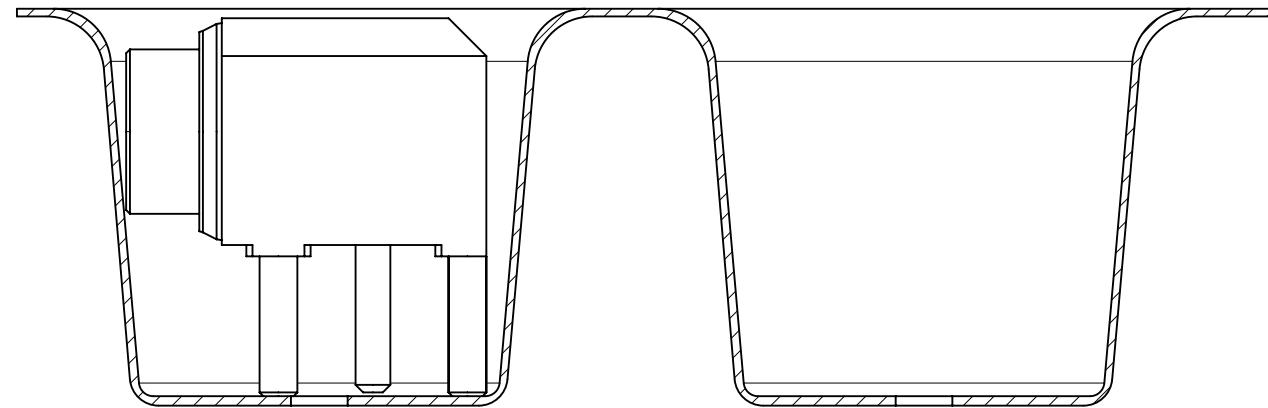
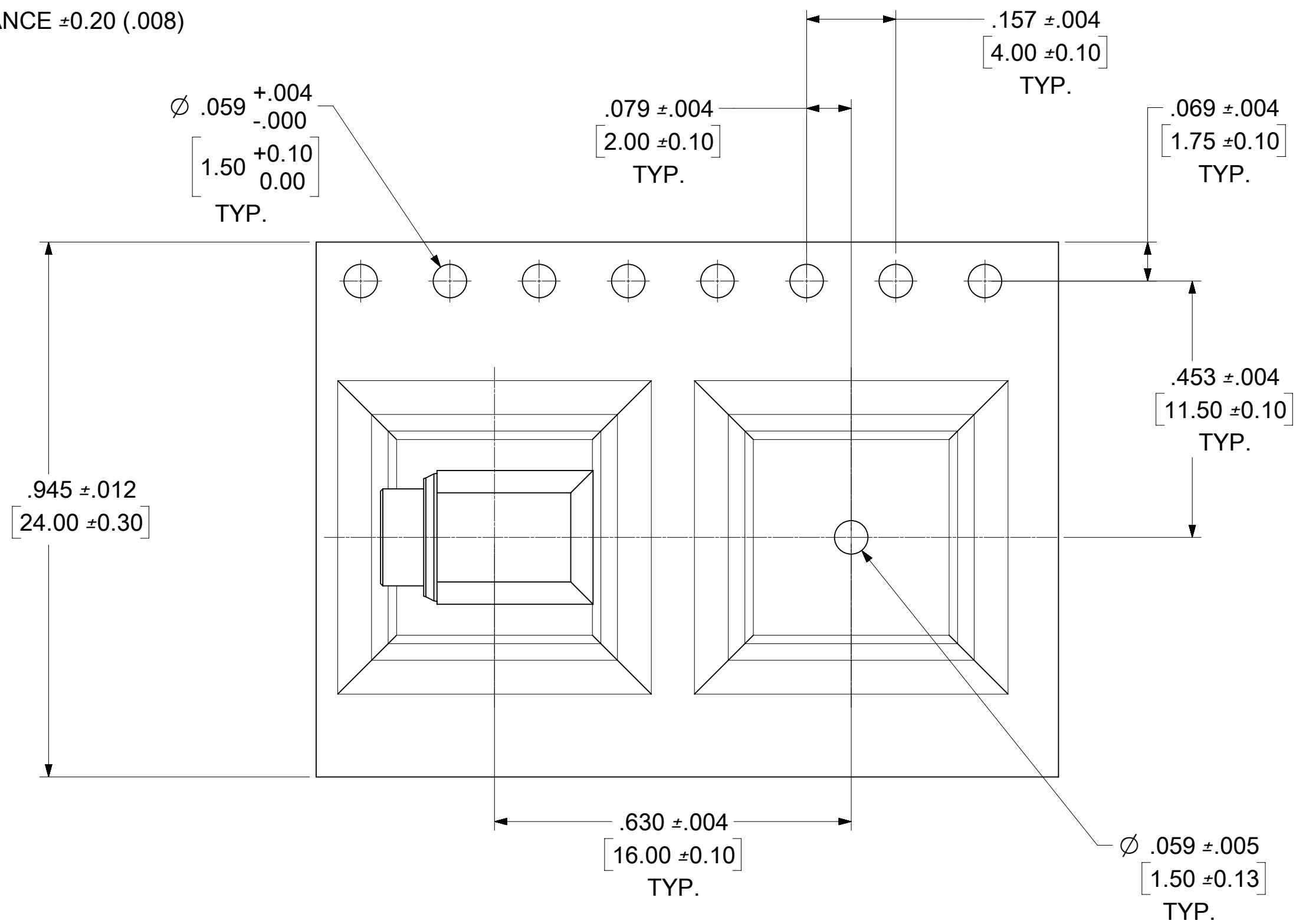
PS-89675-1830	PRODUCT SPECIFICATION
SPECIFICATION	DESCRIPTION

C9	2019/04/06	MIGRATE TO ECTR; SHEET1: TOL. .146±.012 WAS .005; SHEET2: TOL. .945±.012 WAS .004; SHEET3: PACKING QTY 400 WAS 750 (TYPO); PER EWR 12988
REV.	DATE	DESCRIPTION

SYMBOLS		THIS DRAWING CONTAINS INFORMATION THAT IS PROPRIETARY TO MOLEX ELECTRONIC TECHNOLOGIES, LLC AND SHOULD NOT BE USED WITHOUT WRITTEN PERMISSION	
▽ = 0	DIMENSION UNITS	SCALE	CURRENT REV DESC:
▽ = 0	INCH	NTS	EC NO: 616220
▽ = 0	GENERAL TOLERANCES (UNLESS SPECIFIED)		DRWN: CWEI02 2019/03/26
▽ = 0	ANGULAR TOL ± 2.0°		CHK'D: YCHENG 2019/05/07
▽ = 0	4 PLACES	±	APPR: YCHENG 2019/05/07
▽ = 0	3 PLACES	±	INITIAL REVISION:
▽ = 0	2 PLACES	±	DRWN: LYNN 2000/02/10
▽ = 0	1 PLACE	±	APPR: MISEN 2000/02/10
▽ = 0	0 PLACES	±	DRAFT WHERE APPLICABLE MUST REMAIN WITHIN DIMENSIONS
▽ = 0	THIRD ANGLE PROJECTION		DRAWING SERIES
▽ = 0	C-SIZE		73366

molex			
MCX JACK R/A PCB 50 OHM MCX-J/RA/PCB			
PRODUCT CUSTOMER DRAWING			
DOCUMENT NUMBER	DOC TYPE	DOC PART	REVISION
SD-73366-003	PSD	001	C9
MATERIAL NUMBER	CUSTOMER	SHEET NUMBER	
SEE TABLE	GENERAL MARKET	1 OF 3	

NOTES:
 1. PACKAGING DETAILS FOR 73366-0032
 2. 10 PITCHES CUMULATIVE TOLERANCE ±0.20 (.008)



SYMBOLS		THIS DRAWING CONTAINS INFORMATION THAT IS PROPRIETARY TO MOLEX ELECTRONIC TECHNOLOGIES, LLC AND SHOULD NOT BE USED WITHOUT WRITTEN PERMISSION	
DIMENSION UNITS	SCALE	CURRENT REV DESC:	
$\nabla = 0$	INCH	NTS	
$\nabla = 0$	GENERAL TOLERANCES (UNLESS SPECIFIED)		
$\nabla = 0$	ANGULAR TOL ± 2.0°		
$\nabla = 0$	4 PLACES	±	
$\nabla = 0$	3 PLACES	±	
$\nabla = 0$	2 PLACES	±	
$\nabla = 0$	1 PLACE	±	
$\nabla = 0$	0 PLACES	±	
$\nabla = 0$	DRAFT WHERE APPLICABLE MUST REMAIN WITHIN DIMENSIONS		
	THIRD ANGLE PROJECTION	DRAWING	SERIES
		C-SIZE	73366
	EC NO: 616220		2019/03/26
	DRWN: CWEI02		2019/05/07
	CHK'D: YCHENG		2019/05/07
	APPR: YCHENG		2019/05/07
	INITIAL REVISION:		
	DRWN: LYNN		2000/02/10
	APPR: MISEN		2000/02/10
	MATERIAL NUMBER	CUSTOMER	SHEET NUMBER
	SEE TABLE	GENERAL MARKET	2 OF 3

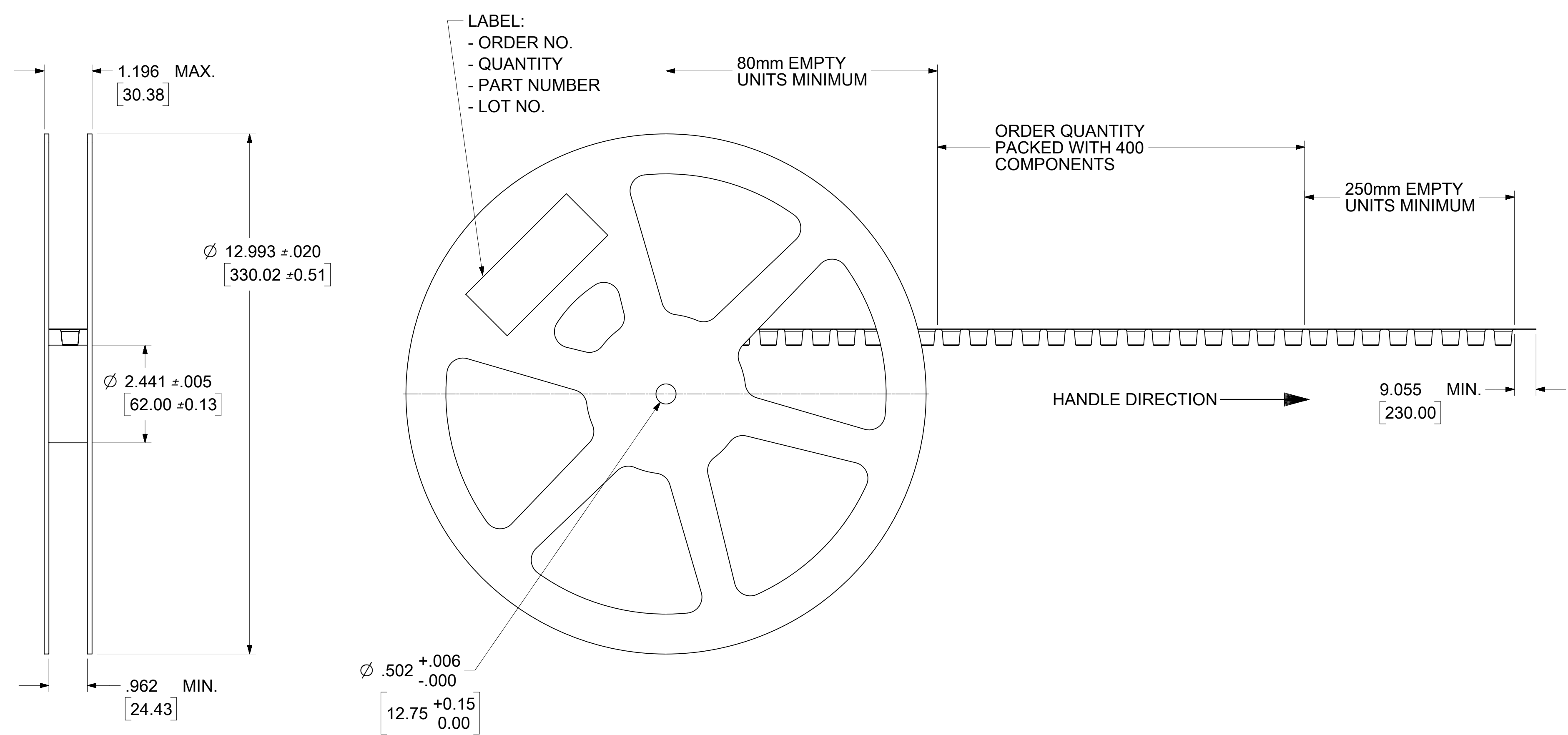
molex

MCX JACK R/A PCB 50 OHM
MCX-J/RA/PCB

PRODUCT CUSTOMER DRAWING

DOCUMENT NUMBER	DOC TYPE	DOC PART	REVISION
SD-73366-003	PSD	001	C9

DOCUMENT STATUS	P1	RELEASE DATE	2019/05/07	06:15:36
-----------------	----	--------------	------------	----------



THIS DRAWING CONTAINS INFORMATION THAT IS PROPRIETARY TO MOLEX ELECTRONIC TECHNOLOGIES, LLC AND SHOULD NOT BE USED WITHOUT WRITTEN PERMISSION											
SYMBOLS		DIMENSION UNITS		SCALE		CURRENT REV DESC:					
▽ = 0	INCH	NTS	EC NO: 616220								
▽ = 0	GENERAL TOLERANCES (UNLESS SPECIFIED)		DRWN: CWEI02		2019/03/26						
▽ = 0	ANGULAR TOL ± 2.0°		CHK'D: YCHENG		2019/05/07						
▽ = 0	4 PLACES ±		APPR: YCHENG		2019/05/07						
▽ = 0	3 PLACES ±		INITIAL REVISION:								
▽ = 0	2 PLACES ±		DRWN: LYNN		2000/02/10						
▽ = 0	1 PLACE ±		APPR: MISEN		2000/02/10						
▽ = 0	0 PLACES ±		DRAFT WHERE APPLICABLE MUST REMAIN WITHIN DIMENSIONS		THIRD ANGLE PROJECTION		DRAWING		SERIES		
▽ = 0	DRAFT WHERE APPLICABLE MUST REMAIN WITHIN DIMENSIONS		C-SIZE		73366		MATERIAL NUMBER		CUSTOMER		
DOCUMENT STATUS			P1			RELEASE DATE			2019/05/07 06:15:36		
SD-73366-003			PSD			001			C9		
SEE TABLE			GENERAL MARKET			SHEET NUMBER			3 OF 3		