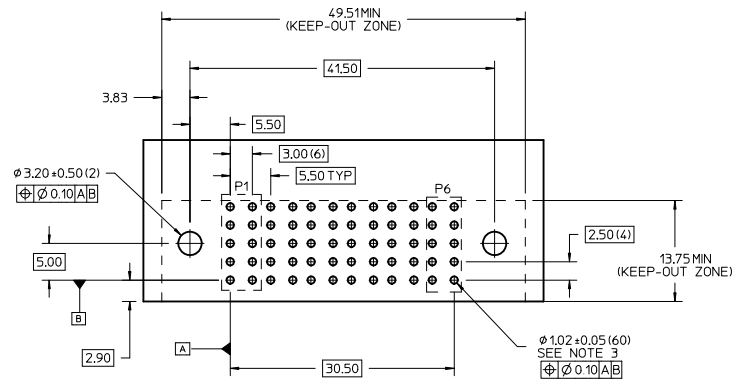
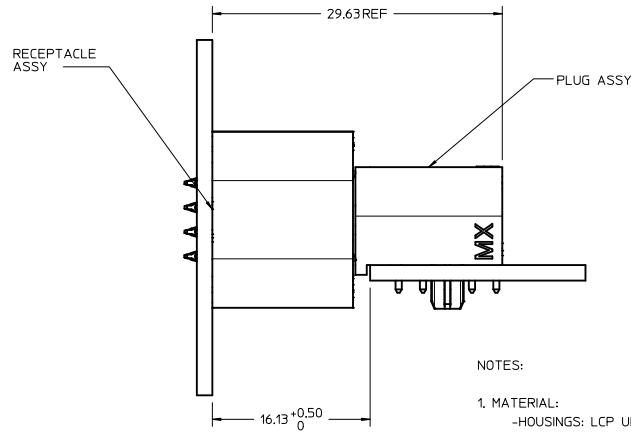


P/N:46437-1150



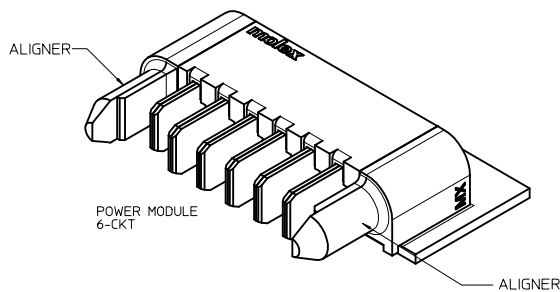
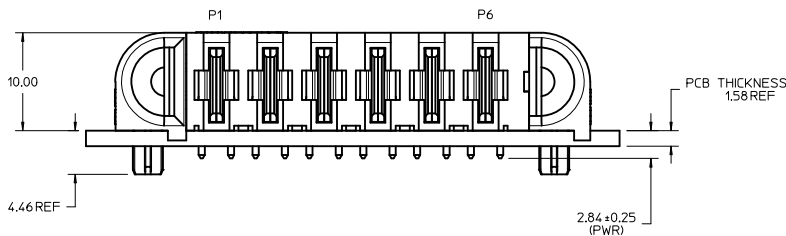
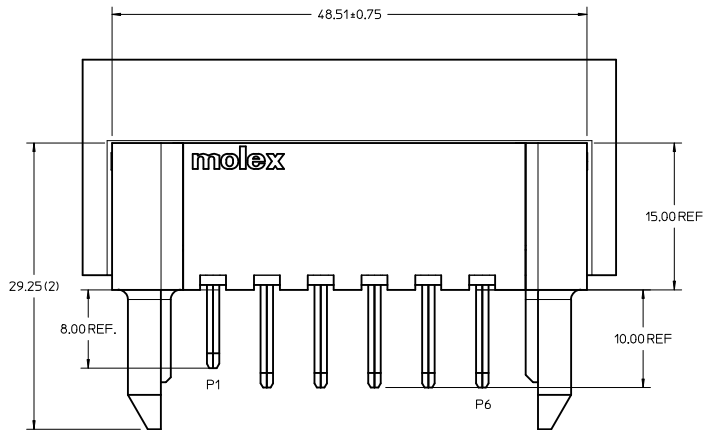
RECOMMENDED PCB LAYOUT AND KEEP-OUT ZONE



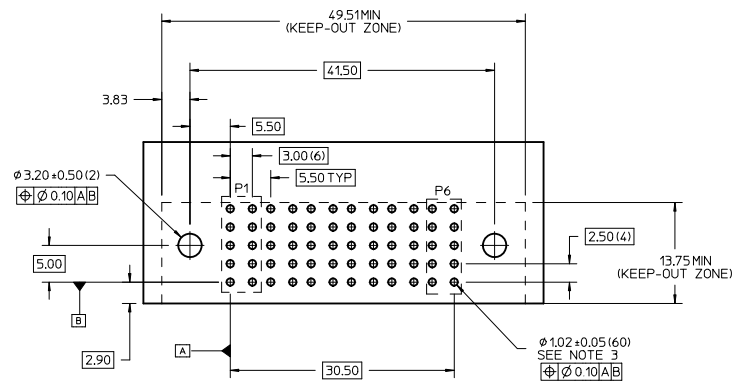
NOTES:

1. MATERIAL:
  - HOUSINGS: LCP UL94 V-0, COLOR: BLACK.
  - TERMINALS: COPPER ALLOY.
  - PLATING: 0.000127 NICKEL OVERALL WITH 0.00254 SELECTIVE MATTE TIN ON TAILS. AND 0.000762 SELECTIVE GOLD ON CONTACT AREA.
2. PACKAGING ASSEMBLIES TO BE TRAY PACKED. STD. QUANTITY: TBD.
3. PC BOARD REQUIRES THRU HOLES. REFER TO PS-46436-100 FOR DETAILS.
4. PRODUCT SPEC.: PS-46436-100.
5. APPLICATION SPEC.: AS-46436-100.
6. SEE PRODUCT SPEC FOR MEET RoHS REQUIREMENTS.
7. ASSEMBLY MATES WITH MOLEX PLUG ASSEMBLY, P/N 46562-1150.

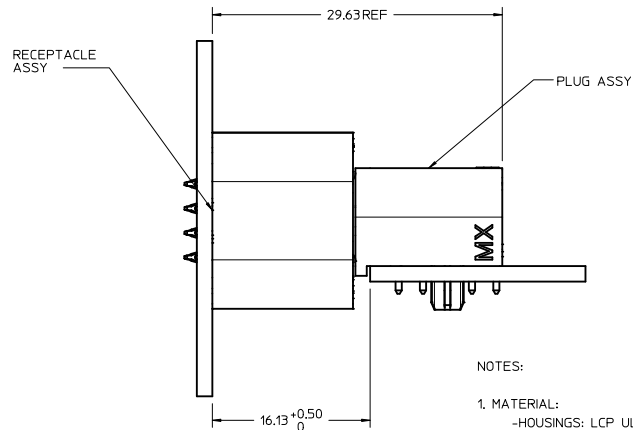
RELEASE IEC NO.: LCP2011-0190 DRAWN: TMPATIL 2010/08/12 CHECKED: BKOSTIC 2010/08/12 APPR: APATEL 2010/10/13	QUALITY SYMBOLS	GENERAL TOLERANCES (UNLESS SPECIFIED)	DIMENSION STYLE	SCALE	DESIGN UNITS	THIRD ANGLE PROJECTION
	▽=0	mm INCH	MM ONLY	3:1	METRIC	☉
	▽=0	4 PLACES ±--- ±---				
	▽=0	3 PLACES ±--- ±---				
		2 PLACES ±0.25 ±---				
		1 PLACE ±0.25 ±---				
		ANGULAR ±1/2°				
	DRAFT WHERE APPLICABLE MUST REMAIN WITHIN DIMENSIONS					
			MATERIAL NO.	DOCUMENT NO.	MOLEX INCORPORATED	
			46437-1150	SD-46437-1150	MOLEX INCORPORATED	
					SHEET NO. 1 OF 1	



P/N:46437-1150



RECOMMENDED PCB LAYOUT AND KEEP-OUT ZONE



NOTES:

- MATERIAL:
  - HOUSINGS: LCP UL94 V-0, COLOR: BLACK.
  - TERMINALS: COPPER ALLOY.
  - PLATING: 0.000127 NICKEL OVERALL WITH 0.00254 SELECTIVE MATTE TIN ON TAILS. AND 0.000762 SELECTIVE GOLD ON CONTACT AREA.
- PACKAGING ASSEMBLIES TO BE TRAY PACKED. STD. QUANTITY: TBD.
- PC BOARD REQUIRES THRU HOLES. REFER TO PS-46436-100 FOR DETAILS.
- PRODUCT SPEC.: PS-46436-100.
- APPLICATION SPEC.: AS-46436-100.
- SEE PRODUCT SPEC FOR MEET RoHS REQUIREMENTS.
- ASSEMBLY MATES WITH MOLEX PLUG ASSEMBLY, P/N 46562-1150.

RELEASE IEC NO: LCP2011-0190 DRAWN: TMPATIL 2010/08/12 CHECKED: BKOSTIC 2010/08/12 APPR: APATEL 2010/10/13 REV DESCRIPTION	QUALITY SYMBOLS ▽=0 ▽=0 ▽=0		GENERAL TOLERANCES (UNLESS SPECIFIED) mm INCH 4 PLACES ±--- ±--- 3 PLACES ±--- ±--- 2 PLACES ±0.25 ±--- 1 PLACE ±0.25 ±--- ANGULAR ±1/2°		DIMENSION STYLE MM ONLY DRAWN BY DATE TMPATIL 2010/08/12 CHECKED BY DATE BKOSTIC 2010/08/12 APPROVED BY DATE APATEL 2010/10/13		SCALE 3:1	DESIGN UNITS METRIC	THIRD ANGLE PROJECTION	TITLE RA PLUG ASSY 6DC TEN60 POWER FAMILY	
	DRAFT WHERE APPLICABLE MUST REMAIN WITHIN DIMENSIONS		MATERIAL NO. 46437-1150		DOCUMENT NO. SD-46437-1150		MOLEX INCORPORATED		SHEET NO. 1 OF 1		
	THIS DRAWING CONTAINS INFORMATION THAT IS PROPRIETARY TO MOLEX INCORPORATED AND SHOULD NOT BE USED WITHOUT WRITTEN PERMISSION										
	SIZE D										