

4

3

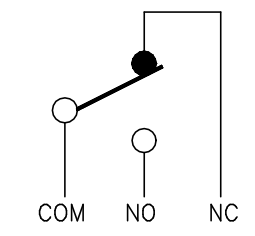
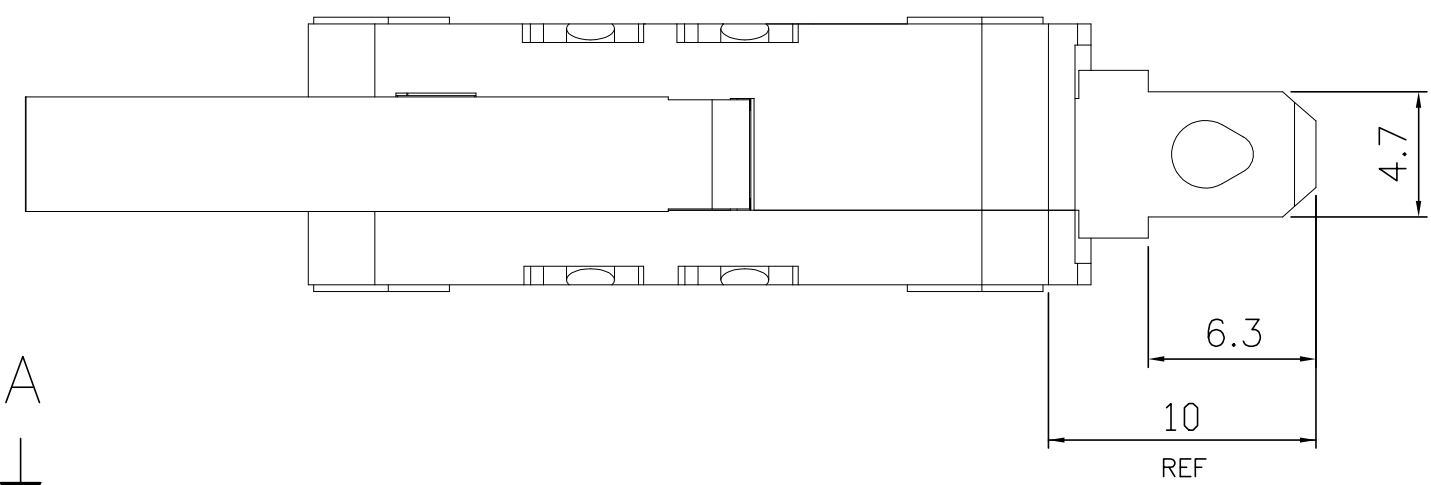
2

1

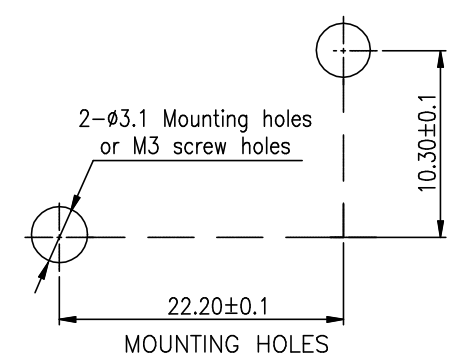
THIS DRAWING IS UNPUBLISHED. RELEASED FOR PUBLICATION  
 © COPYRIGHT - TE Connectivity Ltd. ALL RIGHTS RESERVED.

REVISIONS				
P	LTR	DESCRIPTION	DATE	APVD
1		NEW DRAWING	09MAY2019	GCM AS

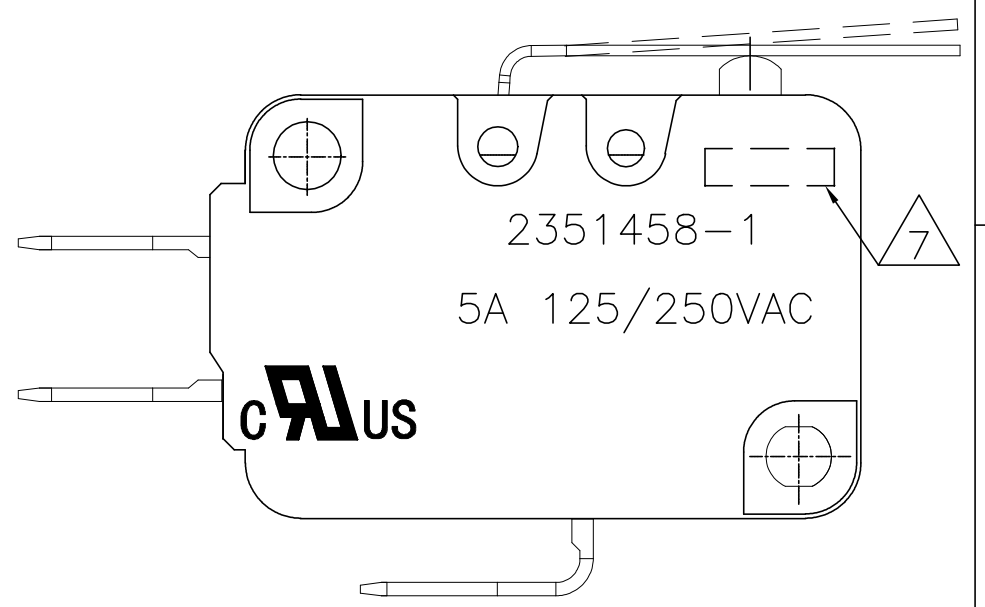
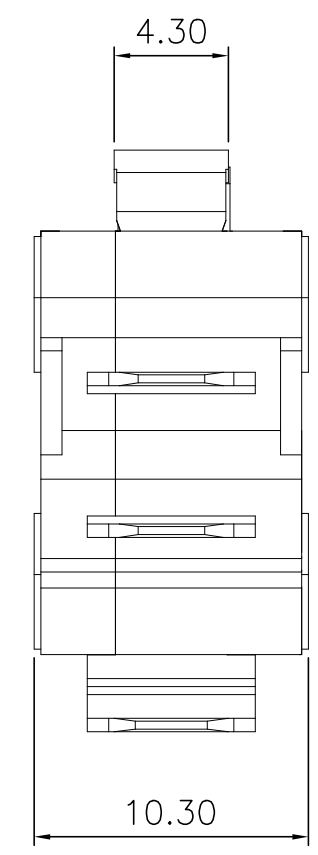
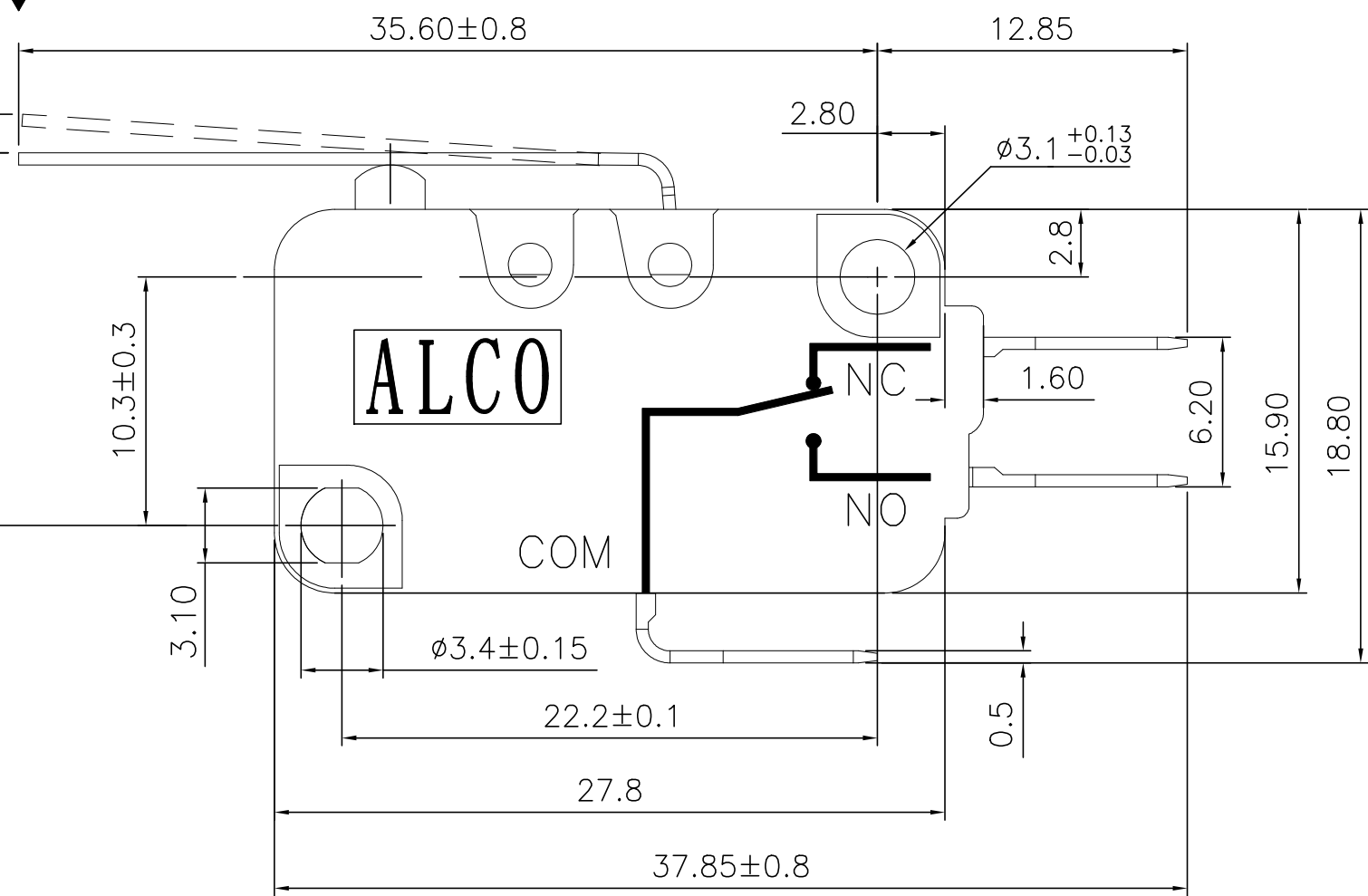
APPLICABLE FOR TE P/N  
2351458-1



CIRCUIT DIAGRAM  
 SOLDER TERMINAL AS SHOWN



PRE TRAVEL  
 OPERATING POSITION



THIS DRAWING IS A CONTROLLED DOCUMENT.		DWN 09MAY2019 GANESH C M	TE Connectivity Ltd.	
DIMENSIONS: mm		CHK 09MAY2019 ALEXANDER SHARPE		
TOLERANCES UNLESS OTHERWISE SPECIFIED:		APVD 09MAY2019 ALEXANDER SHARPE	NAME SWITCH, SUBMINIATURE SLD SNAP ACTION, HINGE LEVER	
0 PLC ± - 1 PLC ± 0.4 2 PLC ± 0.4 3 PLC ± - 4 PLC ± - ANGLES ± -		PRODUCT SPEC	RESTRICTED TO	
MATERIAL		APPLICATION SPEC	SIZE A3	CAGE CODE 00779
FINISH		WEIGHT	DRAWING NO C-2351458	REV 1
CUSTOMER DRAWING			SCALE NTS	SHEET 1 of 3

**PRELIMINARY**

4

3

2

1

THIS DRAWING IS UNPUBLISHED.

RELEASED FOR PUBLICATION

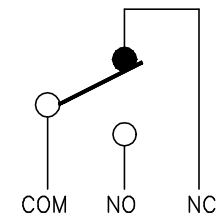
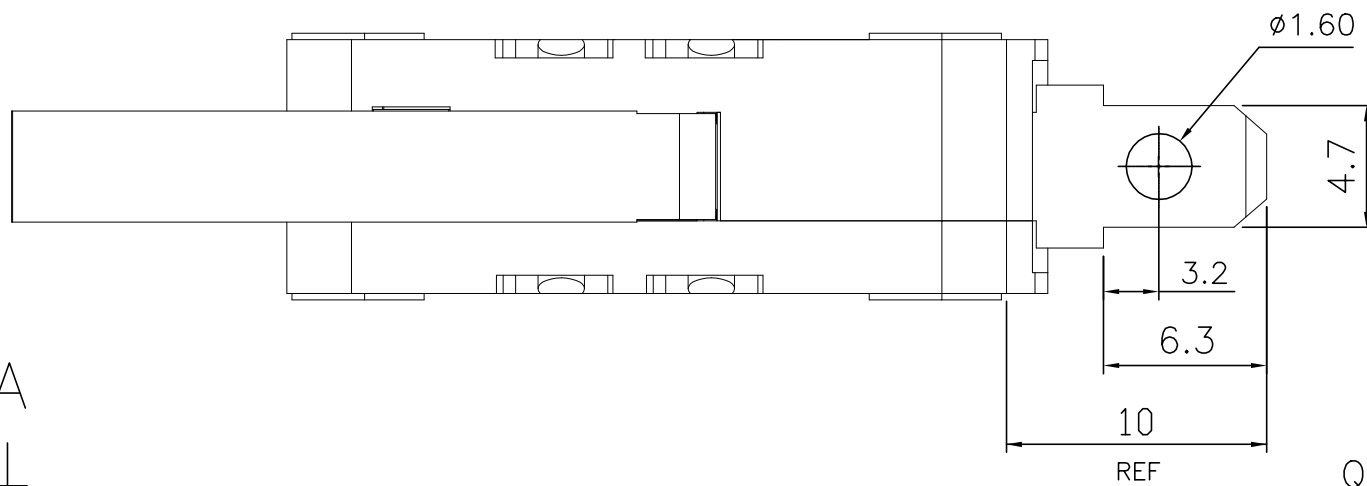
ALL RIGHTS RESERVED.

© COPYRIGHT - TE Connectivity Ltd.

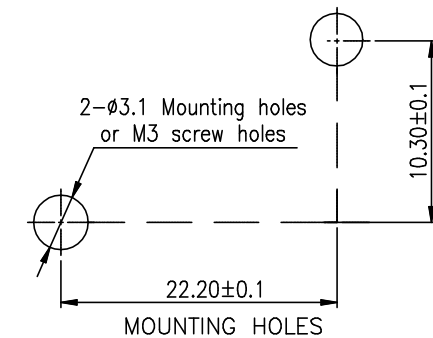
REVISIONS

P	LTR	DESCRIPTION	DATE	DWN	APVD
-	-	SEE SHEET 1	-	-	-

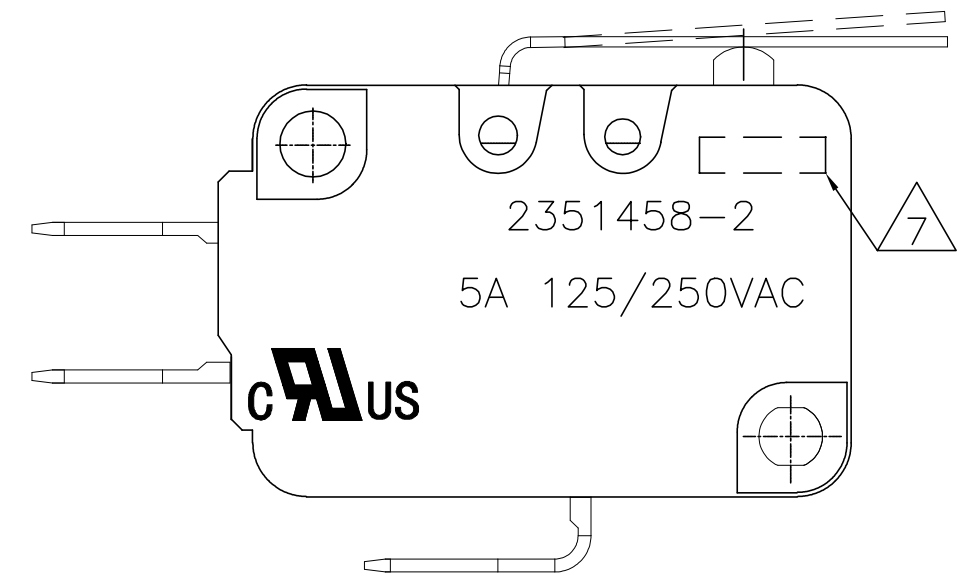
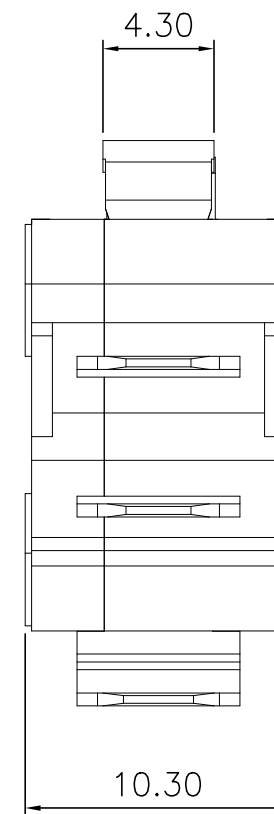
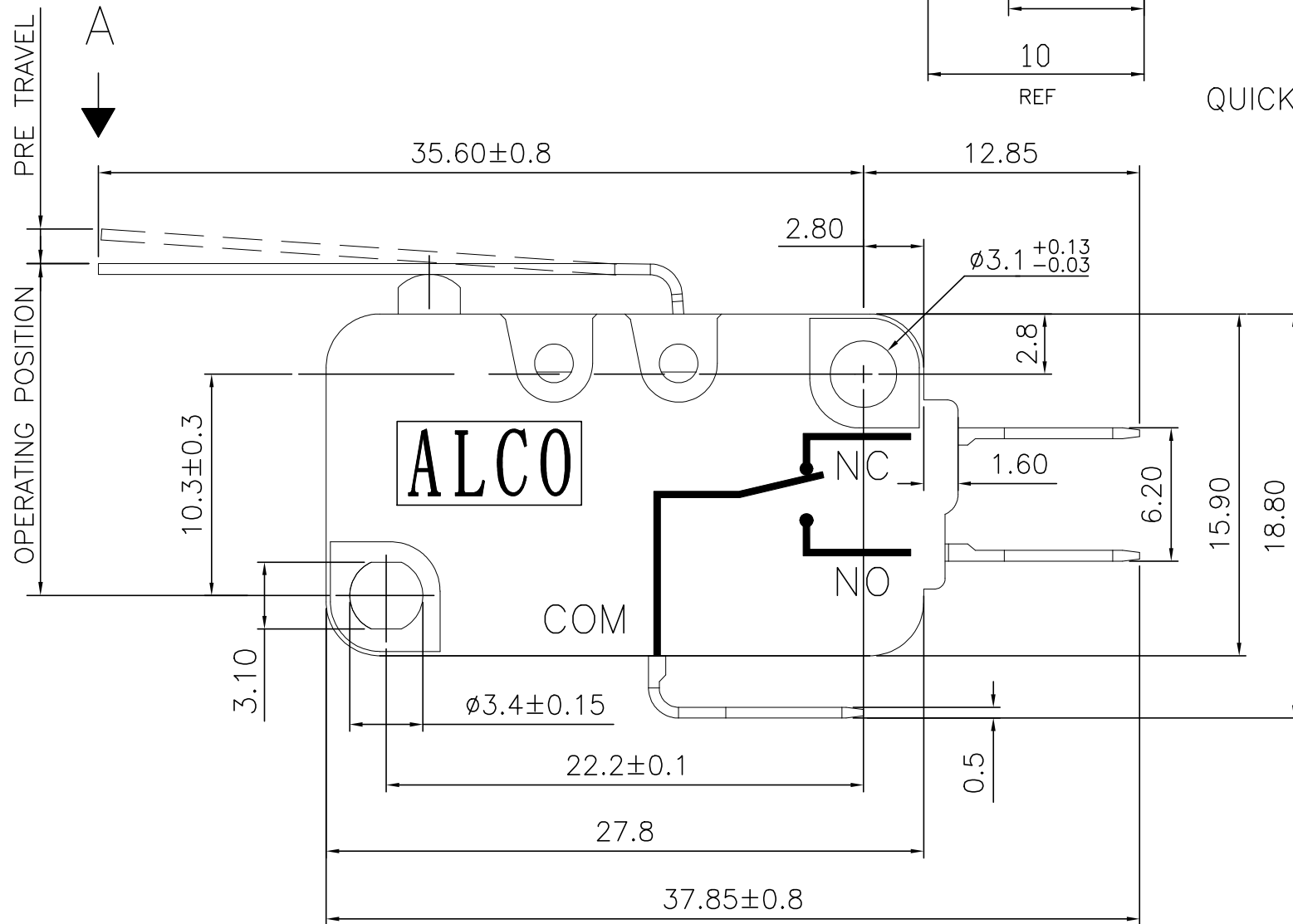
APPLICABLE FOR TE P/N  
2351458-2



CIRCUIT DIAGRAM



QUICK CONNECT TERMINAL AS SHOWN



THIS DRAWING IS A CONTROLLED DOCUMENT.		DWN GANESH C M 09MAY2019	TE Connectivity Ltd.			
DIMENSIONS: mm		CHK ALEXANDER SHARPE 09MAY2019				
TOLERANCES UNLESS OTHERWISE SPECIFIED:		APVD ALEXANDER SHARPE 09MAY2019	NAME SWITCH, SUBMINIATURE SLD SNAP ACTION, HINGE LEVER			
0 PLC ± - 1 PLC ± 0.4 2 PLC ± 0.4 3 PLC ± - 4 PLC ± - ANGLES ± - MATERIAL - FINISH -		PRODUCT SPEC - APPLICATION SPEC - WEIGHT -	SIZE A3	CAGE CODE 00779	DRAWING NO C=2351458	RESTRICTED TO -
CUSTOMER DRAWING			SCALE NTS	SHEET 2 of 3	REV 1	

PRELIMINARY

THIS DRAWING IS UNPUBLISHED.

RELEASED FOR PUBLICATION

-, -

REVISIONS

© COPYRIGHT - TE Connectivity Ltd.

ALL RIGHTS RESERVED.

P	LTR	DESCRIPTION	DATE	DWN	APVD
-	-	SEE SHEET 1	-	-	-

NOTES:

- OPERATING CHARACTERISTICS ARE FOR OPERATION IN THE A DIRECTION ↓
- PACKAGING:  
SWITCHES ARE BULK PACKAGED IN BAGS, 50 SWITCHES PER BAG, 20 BAGS PER BOX.
- COMPLIANCE:  
THE CURRENT STATEMENT OF COMPLIANCE IS AVAILABLE AT TE.COM.
- MATERIAL AND FINISH:  
COVER: THERMOPLASTIC, BLACK  
BASE: THERMOPLASTIC, BLACK  
BUTTON: THERMOPLASTIC, BLACK  
CONTACTS: SILVER ALLOY, SILVER PLATED  
TERMINALS: BRASS, SILVER PLATED  
MOVING PLATE: BRASS, SILVER PLATED  
SPRING PLATE: COPPER ALLOY  
ACTION ARM: BRASS, SILVER PLATED  
LEVER: STAINLESS STEEL
- SPECIFICATIONS:  
CURRENT RATING: SEE TABLE  
CONTACT RESISTANCE: 100mΩ MAXIMUM, INITIAL, AT FREE POSITION AND TOTAL TRAVEL POSITION, ACTUATE 3 TIMES BEFORE MEASUREMENT.  
INSULATION RESISTANCE: 100MΩ MINIMUM, INITIAL, @ 500 V DC, 1 MINUTE  
DIELECTRIC WITHSTANDING VOLTAGE, BETWEEN TERMINALS OF THE SAME POLARITY: 600 V AC, 50 TO 60 HZ FOR 1 MINUTE  
DIELECTRIC WITHSTANDING VOLTAGE, BETWEEN EACH TERMINAL AND GROUND: 1500 V AC, 50 TO 60 HZ FOR 1 MINUTE  
DIELECTRIC WITHSTANDING VOLTAGE, BETWEEN EACH TERMINAL AND NON-CURRENT CARRYING METAL PART: 1500 V AC, 50 TO 60 Hz FOR 1 MINUTE  
INGRESS PROTECTION: IP40
- SOLDER PROCESS:  
MANUAL SOLDERING: 350°C, 3 SECONDS MAXIMUM, 30 TO 40 WATTS. PREVENT SOLDER AND FLUX CONTACTING THE SWITCH BODY.  
DO NOT OPERATE THE SWITCH DURING THE FIRST MINUTE AFTER SOLDERING.

△ DATE CODE:

①      ②      ③      ④

①	DAY	01 TO 31
②	MONTH	1 TO 9,X,Y,Z (X=10,Y=11,Z=12)
③	YEAR	00 TO 99
④	OTHER	N/A

8. CERTIFICATION: **CAUS**

SILVER	SPDT	5,000,000 CYCLES, MINIMUM	100,000 CYCLES, MINIMUM	-40 TO +85°C/85% RELATIVE HUMIDITY MAXIMUM	-40 TO +85°C/60% RELATIVE HUMIDITY MAXIMUM	0.8 MAXIMUM	1.6 MINIMUM	15.2±1.2	4.0 MAXIMUM	6 gf MINIMUM	30 gf MAXIMUM	5A, 125VAC 5A, 250VAC	MOMENTARY	QUICK CONNECT, #187	SAJ35XXHL0N49SDTFAQ	2351458-2
														SOLDER	SAJ35XXHL0N49SDTSEQ	2351458-1
CONTACT FINISH	CONTACT FORM	MECHANICAL LIFE	ELECTRICAL LIFE	STORAGE TEMPERATURE RANGE/HUMIDITY RANGE	OPERATING TEMPERATURE RANGE/HUMIDITY RANGE	MOVEMENT DIFFERENTIAL	OVER TRAVEL	OPERATING POSITION	PRETRAVEL	RELEASE FORCE	OPERATING FORCE	CURRENT RATING	CONTACT CONFIGURATION	TERMINAL TYPE	TE SMART PART NUMBER	PART NUMBER

THIS DRAWING IS A CONTROLLED DOCUMENT.

DWN 09MAY2019  
GANESH C M

CHK 09MAY2019  
ALEXANDER SHARPE

APVD 09MAY2019  
ALEXANDER SHARPE

PRODUCT SPEC

APPLICATION SPEC

WEIGHT

CUSTOMER DRAWING

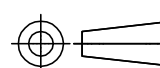


TE Connectivity Ltd.

NAME SWITCH, SUBMINIATURE SLD SNAP ACTION, HINGE LEVER

SIZE	CAGE CODE	DRAWING NO	RESTRICTED TO
A3	00779	2351458	-

DIMENSIONS: mm



TOLERANCES UNLESS OTHERWISE SPECIFIED:

0 PLC	± -
1 PLC	± 0.4
2 PLC	± 0.4
3 PLC	± -
4 PLC	± -
ANGLES	± -
FINISH	-

MATERIAL -

**PRELIMINARY**