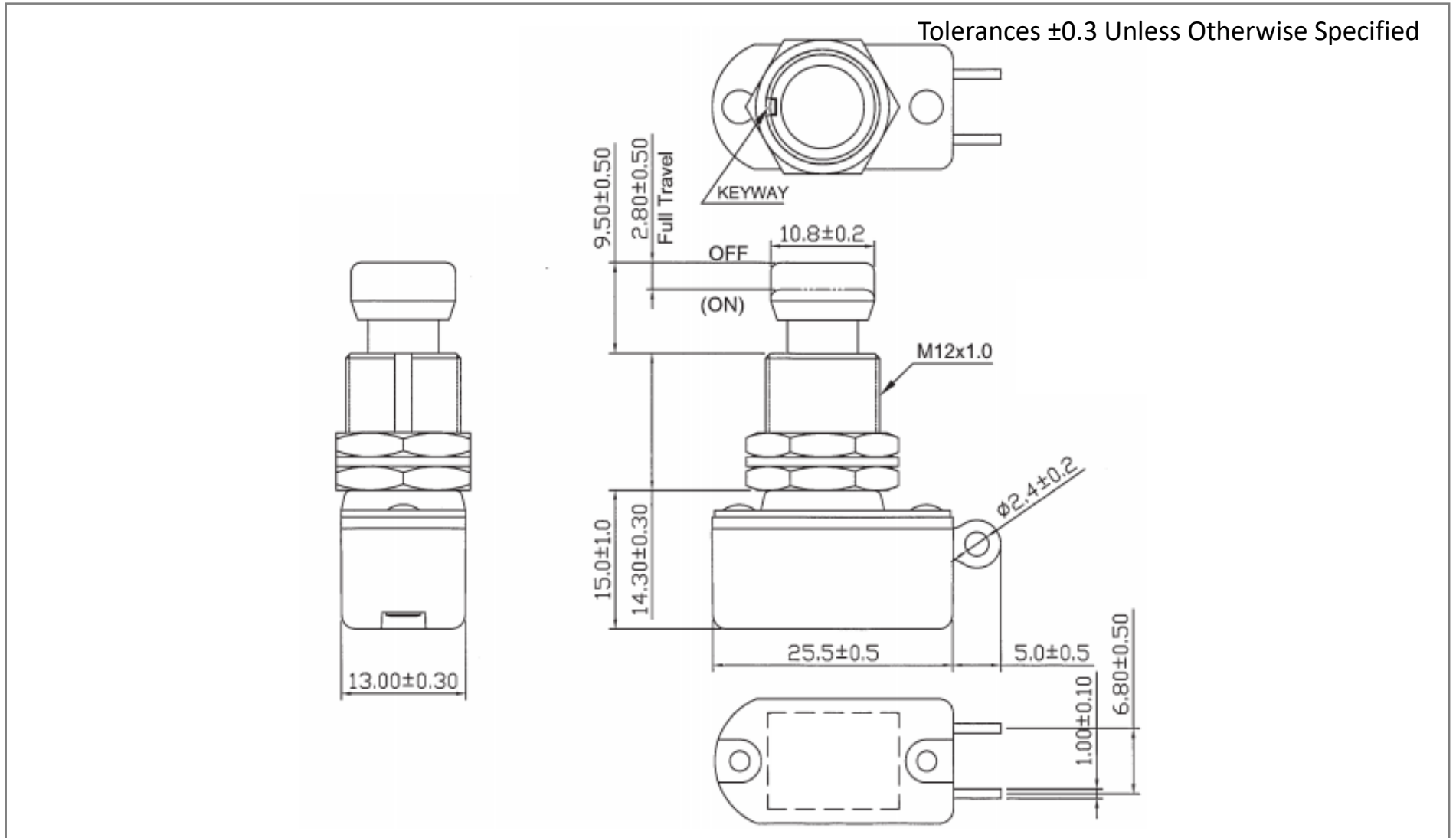
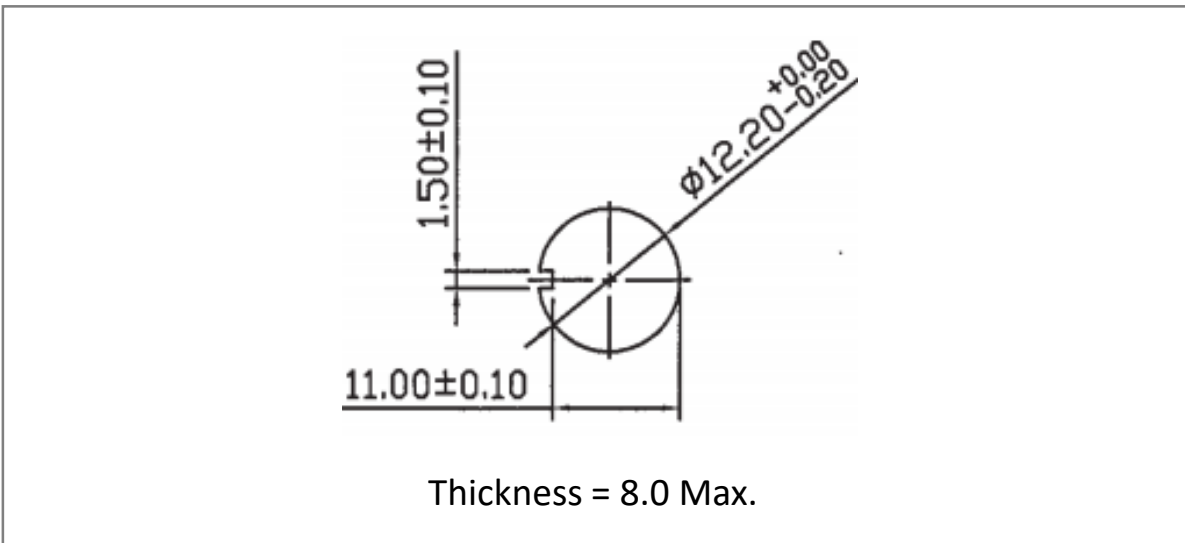


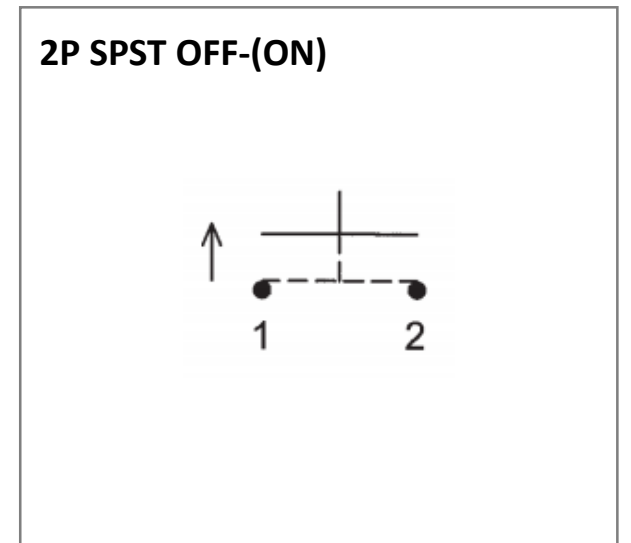
Mechanical Dimensions (mm)



Mounting Hole



Circuit Diagram



Electrical Specifications

Rating	10A 12V DC
Contact Resistance	50m ohm Max.
Insulation Resistance	DC 500V 100M ohm Min.
Dielectric Strength	AC 1000V 1 minute
Operation Temperature	-20°C~65°C

Material Specifications

Frame	Black, PF
Actuator	Ni-plated, Brass
	2 hex nut assy
	1 spring washer assy