

SMD Power Inductor CDRH5D11



Description

- Ferrite drum core construction.
- Magnetically shielded.
- L × W × H: 5.3 × 5.3 × 1.2 mm Max.
- Product weight: 0.1g(Ref.)
- Moisture Sensitivity Level: 1
- RoHS compliance.

Environmental Data

- Operating temperature range: -40°C ~ +105°C (including coil's self temperature rise)
- Storage temperature range: -40°C ~ +105°C
- Solder reflow temperature: 260 °C peak.

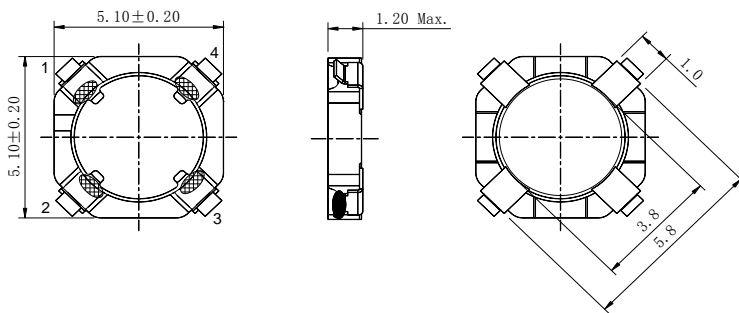
Packaging

- Carrier tape and reel packaging
- 7.0" diameter reel
- 1500pcs per reel

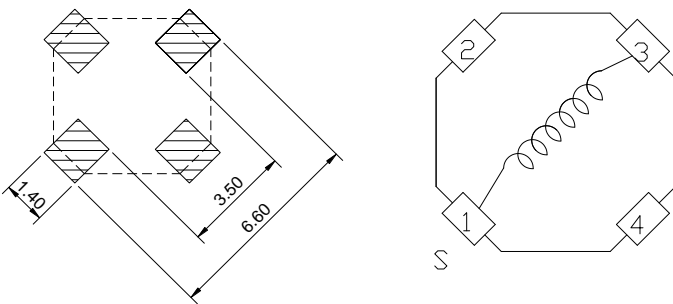
Applications

- Ideally used in Mobile phone, Notebook PC, MP3, PDA, HDD, DSC/DVC etc as DC-DC converter inductors.

Dimension - [mm]



Land pattern and Schematics - [mm]





Electrical Characteristics

Part No.	Stamp	Inductance (μH) [Within] ※1	D.C.R. ($\text{m}\Omega$) [Max.] (at 20°C)	Saturation current (A) ※2	Temperature rise current (A) ※3
CDRH5D11NP-1R0NC	B	1.0 \pm 30%	48(38.5)	2.85(3.55)	1.80(2.10)
CDRH5D11NP-1R5NC	C	1.50 \pm 30%	65(51.0)	2.40(3.00)	1.55(1.80)
CDRH5D11NP-2R2NC	D	2.20 \pm 30%	95(76.5)	2.00(2.50)	1.25(1.40)
CDRH5D11NP-3R3NC	E	3.30 \pm 30%	125(100)	1.55(1.95)	1.00(1.15)
CDRH5D11NP-4R7NC	F	4.70 \pm 30%	180(145)	1.25(1.60)	0.90(0.95)
CDRH5D11NP-6R2NC	G	6.20 \pm 30%	250(200)	1.15(1.45)	0.65(0.75)
CDRH5D11NP-8R2NC	J	8.20 \pm 30%	325(270)	1.00(1.20)	0.60(0.65)
CDRH5D11NP-100PC	K	10.0 \pm 25%	370(295)	0.85(1.10)	0.55(0.60)
CDRH5D11NP-150PC	L	15.0 \pm 25%	555(445)	0.70(0.85)	0.45(0.50)
CDRH5D11NP-220PC	M	22.0 \pm 25%	855(685)	0.60(0.70)	0.35(0.40)

※1. Inductance measuring condition: at 100kHz.

※2. Saturation current: The value of D.C. current when the inductance decreases to 70% of its nominal value.

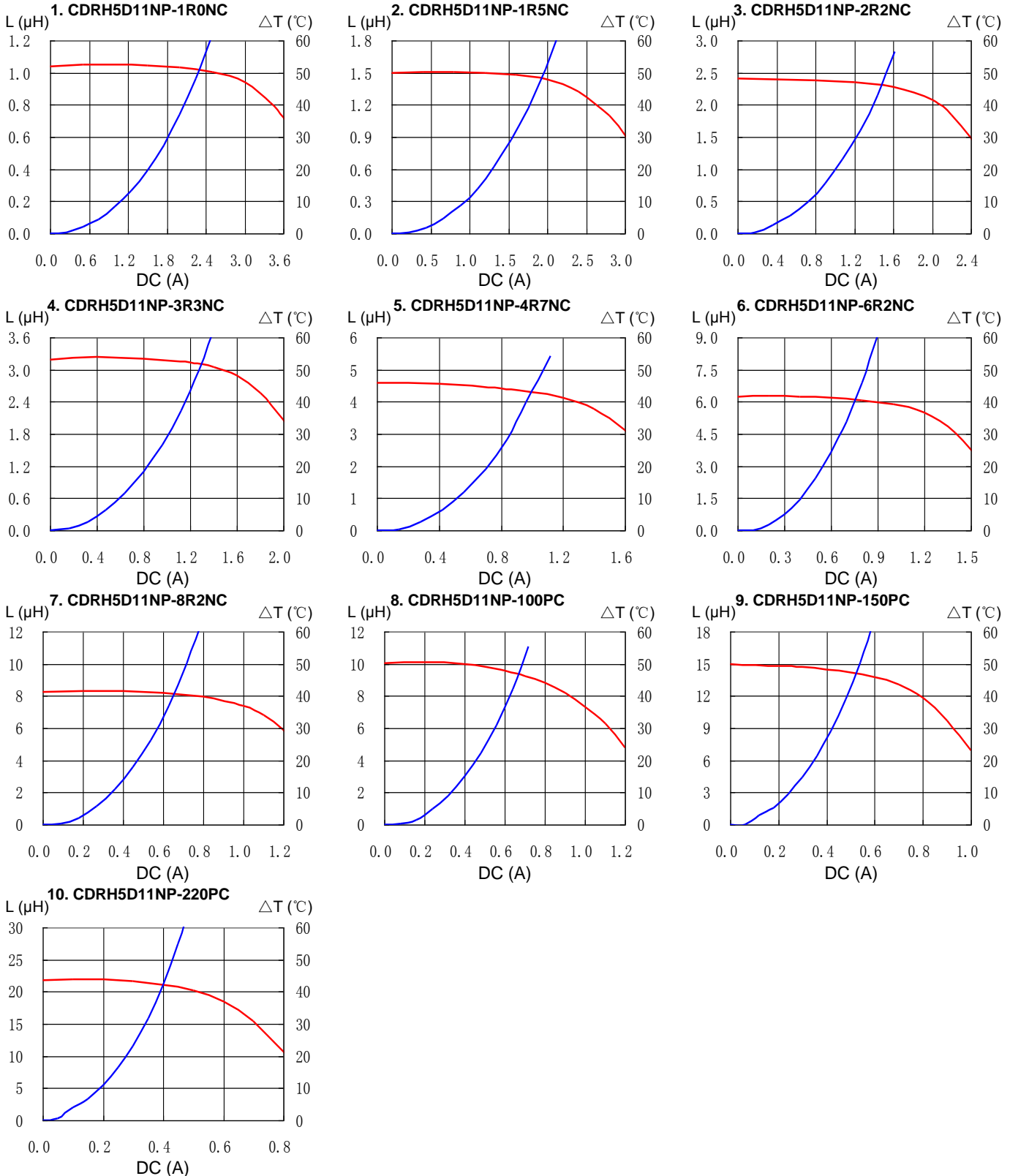
※3. Temperature rise current: The value of D.C. current when the temperature rise is $\Delta t=40^\circ\text{C}$ ($T_a=20^\circ\text{C}$).

SMD Power Inductor CDRH5D11



Saturation Current & Temperature Rise Graph

— L (20°C) — ΔT

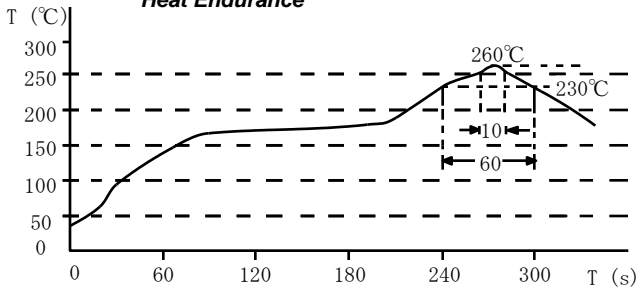


SMD Power Inductor CDRH5D11

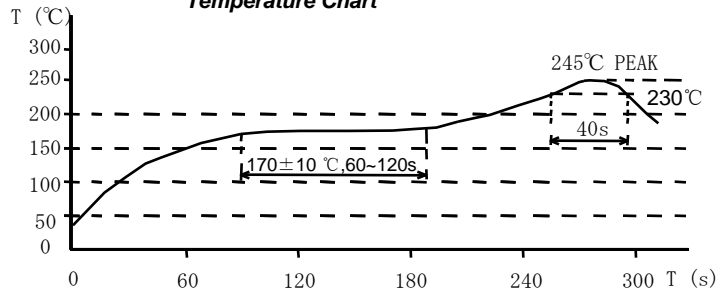


Solder Reflow Condition

Heat Endurance



Temperature Chart



Please refer to the sales offices on our website - <http://www.sumida.com>

Hong Kong

Tel.+852-2880-6781
FAX.+852-2565-9600
sales@hk.sumida.com

Saitama(Japan)

Tel.+81-48-691-7300
FAX.+81-48-691-7340
sales@jp.sumida.com

Chicago

Tel.+1-847-545-6700
FAX. +1-847-545-6720
sales@us.sumida.com

Shanghai

Tel.+86-21-5836-3299
FAX.+86-21-5836-3266
shanghai.sales@cn.sumida.com

Seoul

Tel.+82-2-6237-0777
FAX.+82-2-6237-0778
sales@kr.sumida.com

Obernzell

Tel.+49-8591-937-0
FAX. +49-8591-937-103
contact@eu.sumida.com

Shenzhen

Tel.+86-755-8291-0228
FAX.+86-755-8291-0338
shenzhen.sales@cn.sumida.com

Singapore

Tel.+65-6296-3388
FAX.+65-6841-4426
sales@sg.sumida.com

Neumarkt

Tel.+49-9181-4509-110
FAX. +49-9181-4509-310
infocomp@eu.sumida.com

Taipei

Tel.+886-2-8751-2737
FAX.+886-2-8751-2738
sales@tw.sumida.com

San Jose

Tel.+1-408-321-9660
FAX.+1-408-321-9308
sales@us.sumida.com