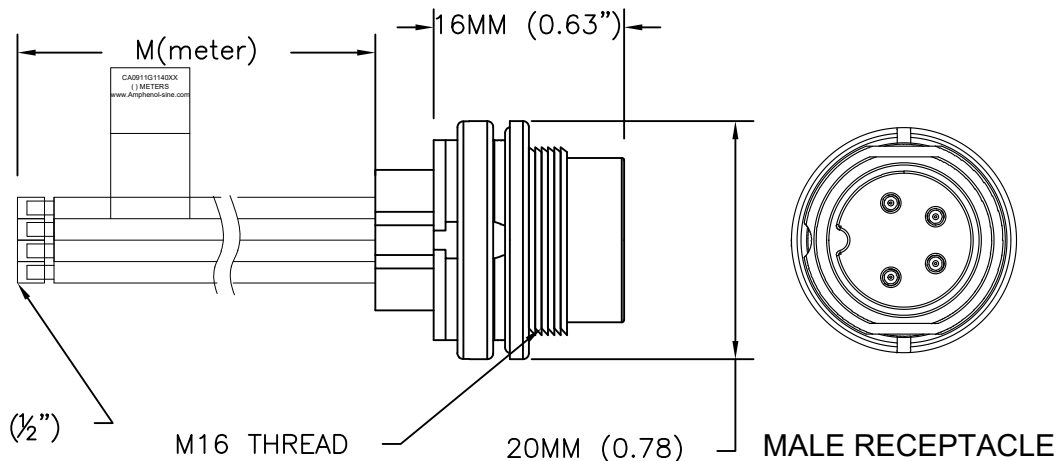


PART NUMBER	LENGTH (METERS)
CA0911G114003	0.3M (0.98 FEET)
CA0911G114005	0.5M (1.64 FEET)
CA0911G114010	1M (3.28 FEET)

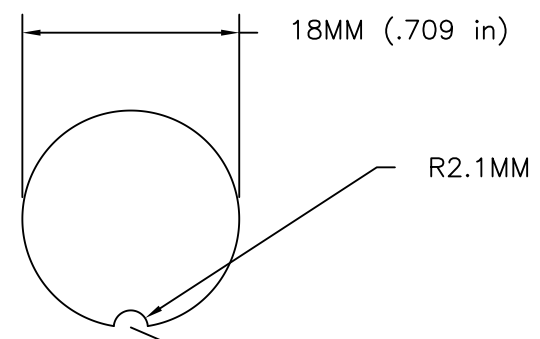
REVISIONS						
REV	ZONE	ECO	DESCRIPTION	DATE	BY	APPR
A1	-	-	TECHNICAL DATA SHEET RELEASE	20-JULY-17	RO	-



CAN BE USED WITH MATING FEMALE CABLE # CA0911B400801012

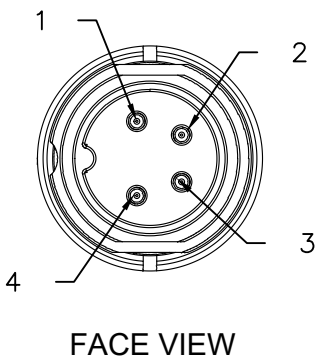
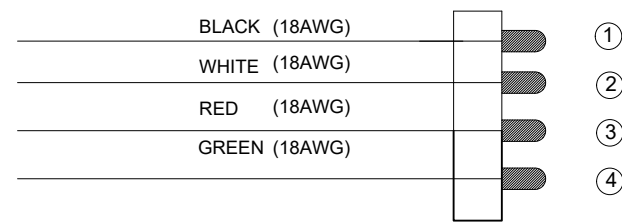
CONTACT YOUR DISTRIBUTOR FOR OTHER MATING OPTIONS

INSTALLATION NOTES & PANEL CUTOUT



FOR SEALING REASONS THE SURFACE FOR THE GASKET NEEDS TO BE LEVEL AND FREE OF BURRS.  
 PANEL THICKNESS: MAX 3.5MM  
 TIGHTENING TORQUE 0.7NM  
 RECOMMENDED TOOL: N450910001

WIRING DIAGRAM



- 1) MATERIALS:  
 HOUSING MATERIAL: ZINC DIE CAST  
 INSULATION INSERT: THERMOPLASTIC  
 CONTACT: SILVER PLATED  
 WIRE RATING: 18 AWG, UL STYLE 1569 300V 105°C (AWM), CSA TYPE TR-64 300V 90°C, UL VW-1 FLAME TEST  
 CABLE JACKET MATERIAL: PVC  
 NUMBER OF CONDUCTORS: (4) 18AWG
- 2) CONNECTOR ELECTRICAL DATA:  
 CURRENT (MAX): 10A AT 40°C  
 VOLTAGE (MAX): 250V AC/DC PER UL 1977  
 INSULATION RESISTANCE: 10M OHMS PER IEC 60512-3-1  
 RATED IMPULSE WITHSTAND VOLTAGE: 1500V PER IEC60664-1
- 3) CONNECTOR MECHANICAL DATA:  
 TEMPERATURE RANGE: -40°C TO +100°C  
 PROTECTION: IP67/IP68 (PER MATED CONDITION)  
 MATING CYCLES: >500
- 4) RoHS COMPLIANT

QUANTITY	PART NUMBER	DESCRIPTION	ITEM
<b>MATERIALS LIST</b>			
UNLESS OTHERWISE SPECIFIED 1) All dimensions are in metric (mm). 2) Tolerances are as follows: 1 PL DEC ±0.30 2 PL DEC ±0.15 3 PL DEC ±0.08 Fractions ±1/64 Angles ±1° 3) Note reference =		SIGNATURES    DATE DRAWN: RO    20-JUNE-17 CHECKED: AA    21-JUNE-17 ENGINEER: RO APPROVAL: WS    24-JUNE-17	
MATERIAL SPECIFICATIONS:		CUSTOMER:	
PROCESS SPECIFICATIONS: IPC-WHMA-A-620		THIS DRAWING IS SUPPLIED FOR INFORMATION ONLY. DESIGN FEATURES, SPECIFICATIONS AND PERFORMANCE DATA SHOWN HEREON ARE THE PROPERTY OF THE AMPHENOL CORPORATION. NO RIGHTS OF REPRODUCTION ARE IMPLIED. ALL DIMENSIONS ARE SUBJECT TO NORMAL MANUFACTURING VARIATIONS.	
NEXT ASSY:		CUSTOMER: C- CA0911G1140XX    REVISION: A1	
		SCALE: HALF    CA0911G1140XX    SHEET 1 OF 1	



D

C

B

A

D

C

FILE

ITEM

REV

SHEET

OF

1