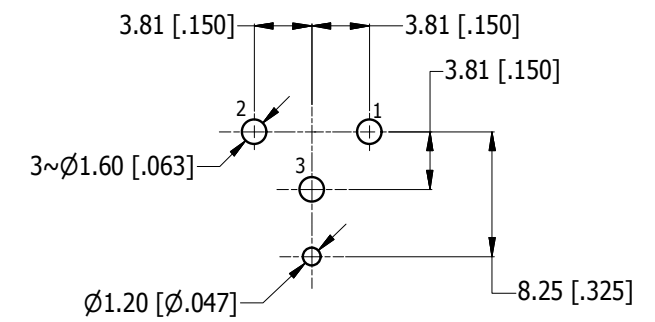
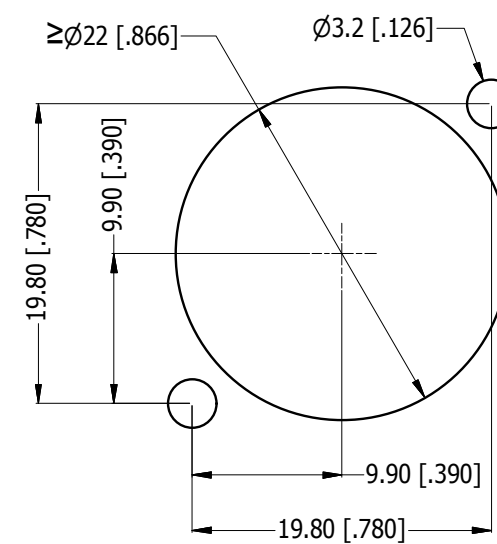
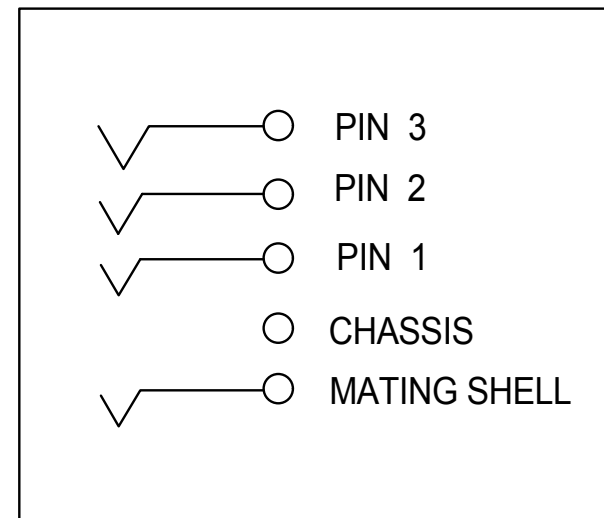
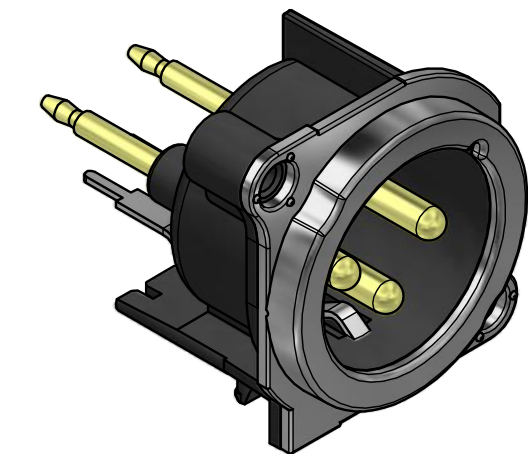
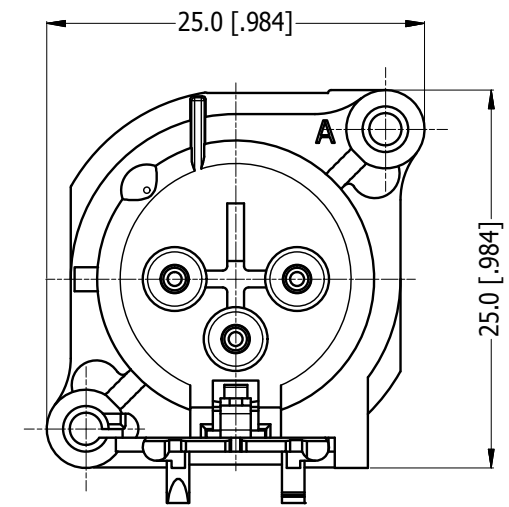
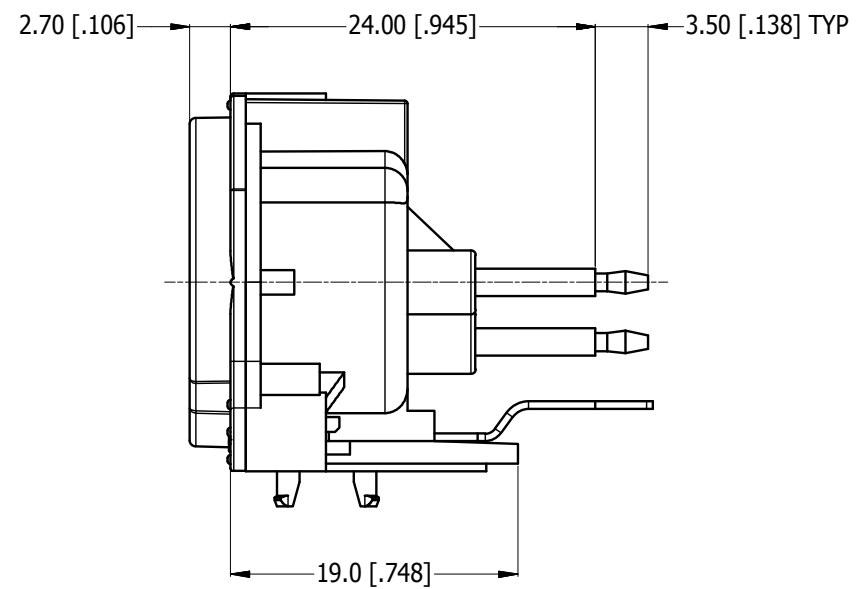
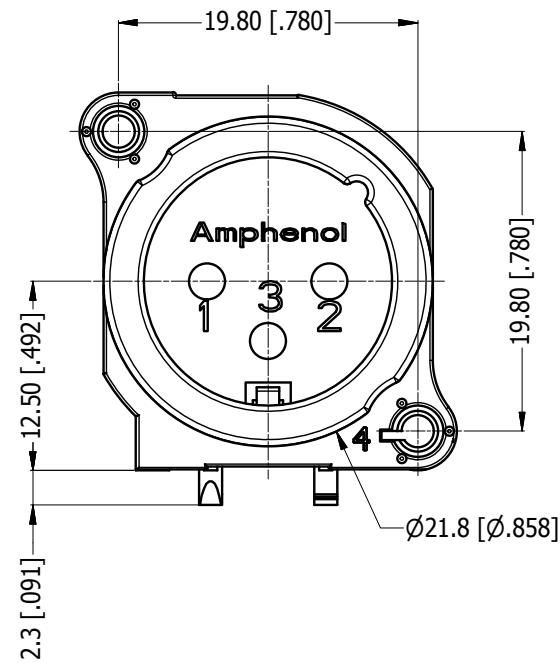
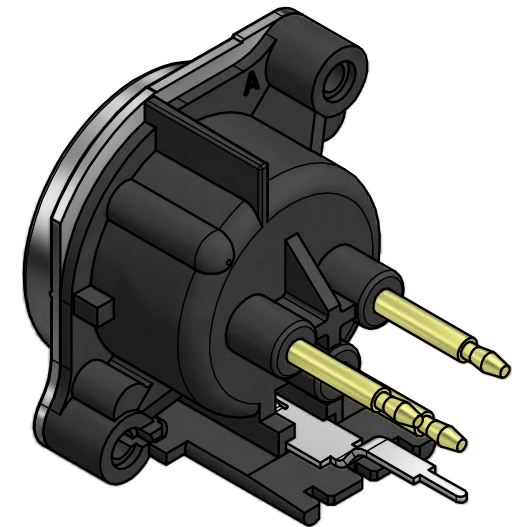


LEGEND = KEY PRODUCT CHARACTERISTICS

REVISION HISTORY				
REV	DESCRIPTION	DATE	BY	CHG/No
0	FIRST ISSUE	17-03-17	MH	---

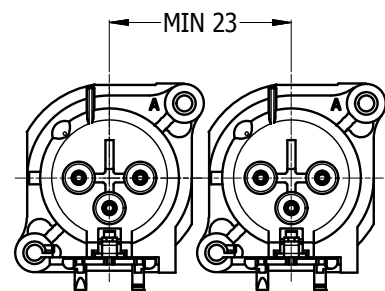


**PCB-LAYOUT**  
COMPONENT SIDE  
TOLERANCE: ± 0.05mm [.002"]

**PANEL CUT OUT**  
REAR VIEW

**SCHMATIC CHART**

**ISO VIEWS**



**MIN MOUNTING PITCH**  
(SCALE 1:1)

UNLESS OTHERWISE SPECIFIED TOLERANCE TO BE		THIS DOCUMENT IS THE PROPERTY OF AMPHENOL AUSTRALIA PTY. LTD. NO PART THEREOF MAY BE REPRODUCED AND USED WITHOUT THE PRIOR WRITTEN CONSENT OF THE OWNER			<b>Amphenol</b> Amphenol Australia Pty.Ltd, 22 Industry Blvd, Carrum Downs, VIC 3201	
LINEAR	ANGULAR	MATERIAL: REFER TO COMPONENT	DRN: MH	DATE: 17-03-17	TITLE: <b>B-TYPE VERTICAL MALE CUSTOMER DRAWING</b>	PART No: <b>AC3MBV-AU-PRE</b>
X ± 0.5	X' ± 1	BREAK ALL SHARP EDGES AND REMOVE ALL BURRS	CKD: M.H	DATE: 17-03-17	DRAWING NO. <b>55011228-000-2</b>	SHEET <b>2/2</b>
X.X ± 0.1	X.X' ± 30'	DO NOT SCALE	APP'D: P.M	DATE: 17-03-17	CAD FILE 55011228000220	
X.XX ± 0.05	X.XX' ± 15'	DIMENSIONS IN MILLIMETRES	SCALE: <b>2:1</b>	SIZE: <b>A3</b>		