

THIS DRAWING IS UNPUBLISHED.

RELEASED FOR PUBLICATION

---

© COPYRIGHT - By -

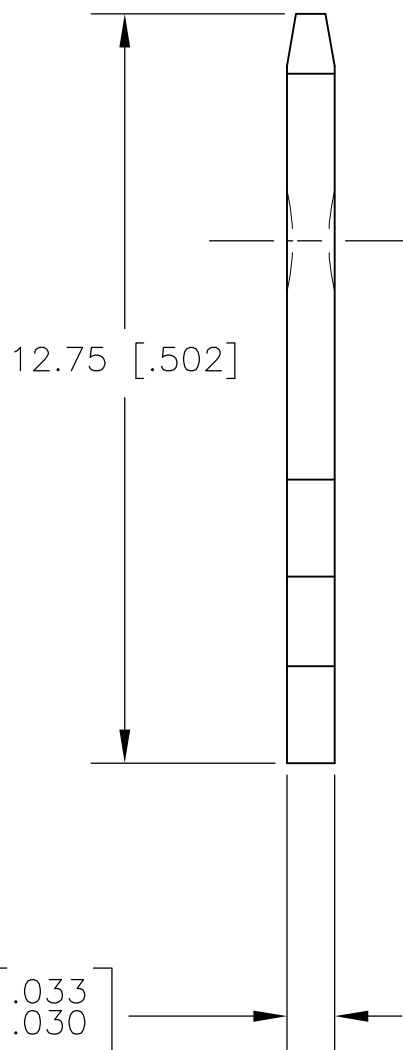
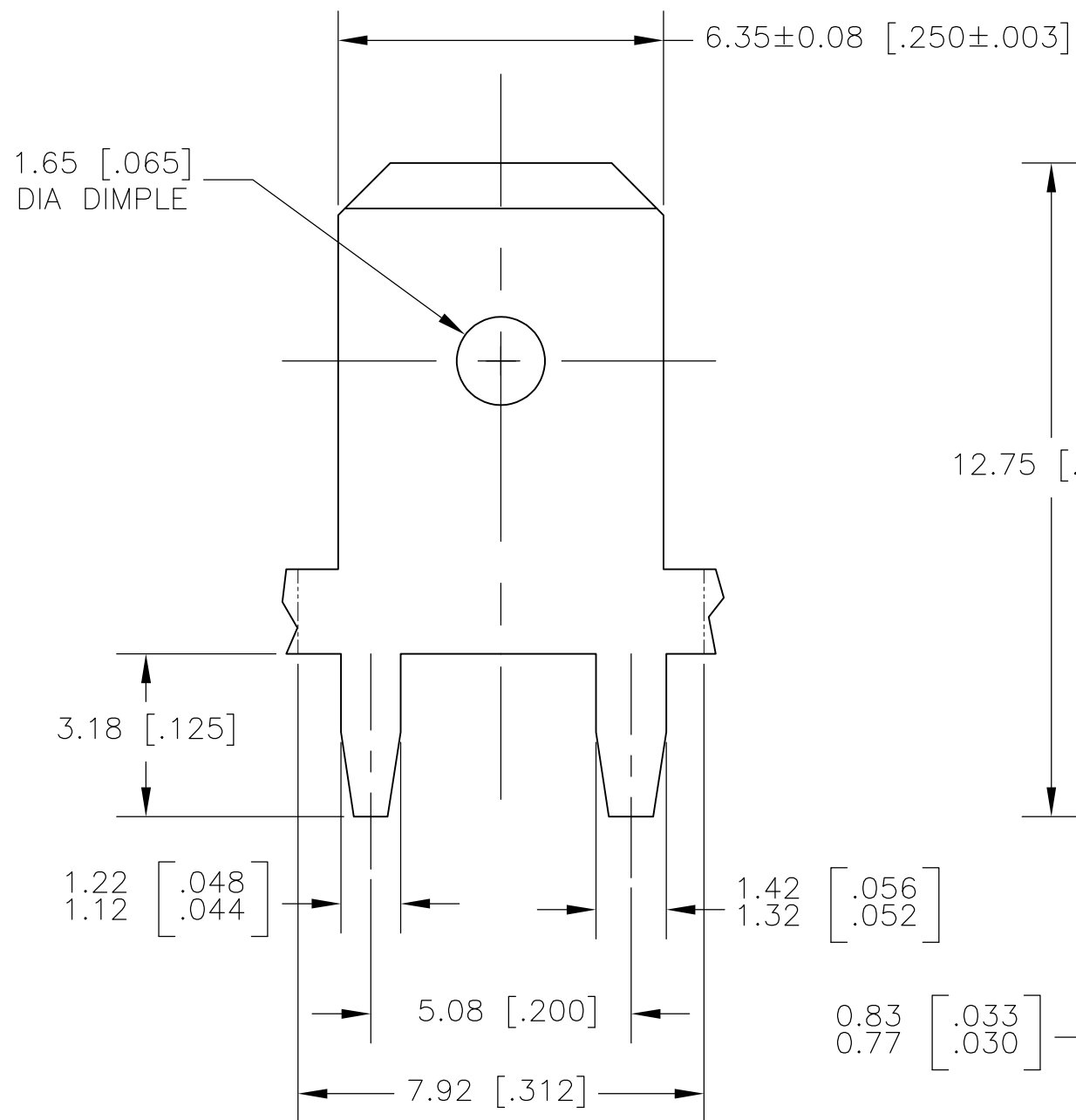
ALL RIGHTS RESERVED.

LOC  
AF

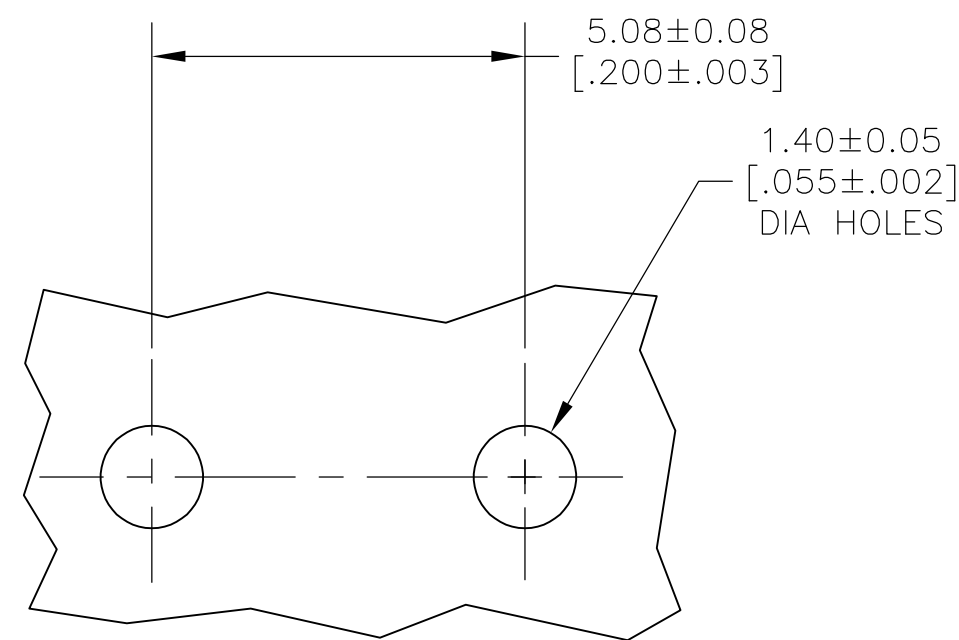
DIST  
50

REVISIONS

P	LTR	DESCRIPTION	DATE	DWN	APVD
	F	REVISED PER ECR-13-001204	21JUN13	KH	PD




- 1 CONTINUOUS STRIP ON REELS.
- △ 2 0.00381 [.000150] MIN TIN OVER  
0.00254 [.000100] MIN THK COPPER.



P.C. BOARD HOLES  
SCALE 10:1

63839-1  
PART NUMBER

THIS DRAWING IS A CONTROLLED DOCUMENT.		DWN JR RUTH 30NOV00	 <b>TE Connectivity</b>				
DIMENSIONS: mm [INCHES]		CHK MS FEHER 30NOV00					
TOLERANCES UNLESS OTHERWISE SPECIFIED:		APVD G PORTA 30NOV00	NAME TAB, FASTON, PC BOARD, 6.35 [.250] SERIES				
0 PLC ± - 1 PLC ± - 2 PLC ± 0.25 [.010] 3 PLC ± - 4 PLC ± - ANGLES ± -		PRODUCT SPEC -	APPLICATION SPEC 114-2112				
MATERIAL BRASS		FINISH TIN OVER COPPER	WEIGHT -	SIZE A3	CAGE CODE 00779	DRAWING NO G-63839	RESTRICTED TO -
CUSTOMER DRAWING			SCALE 8:1	SHEET 1 OF 1	REV F		