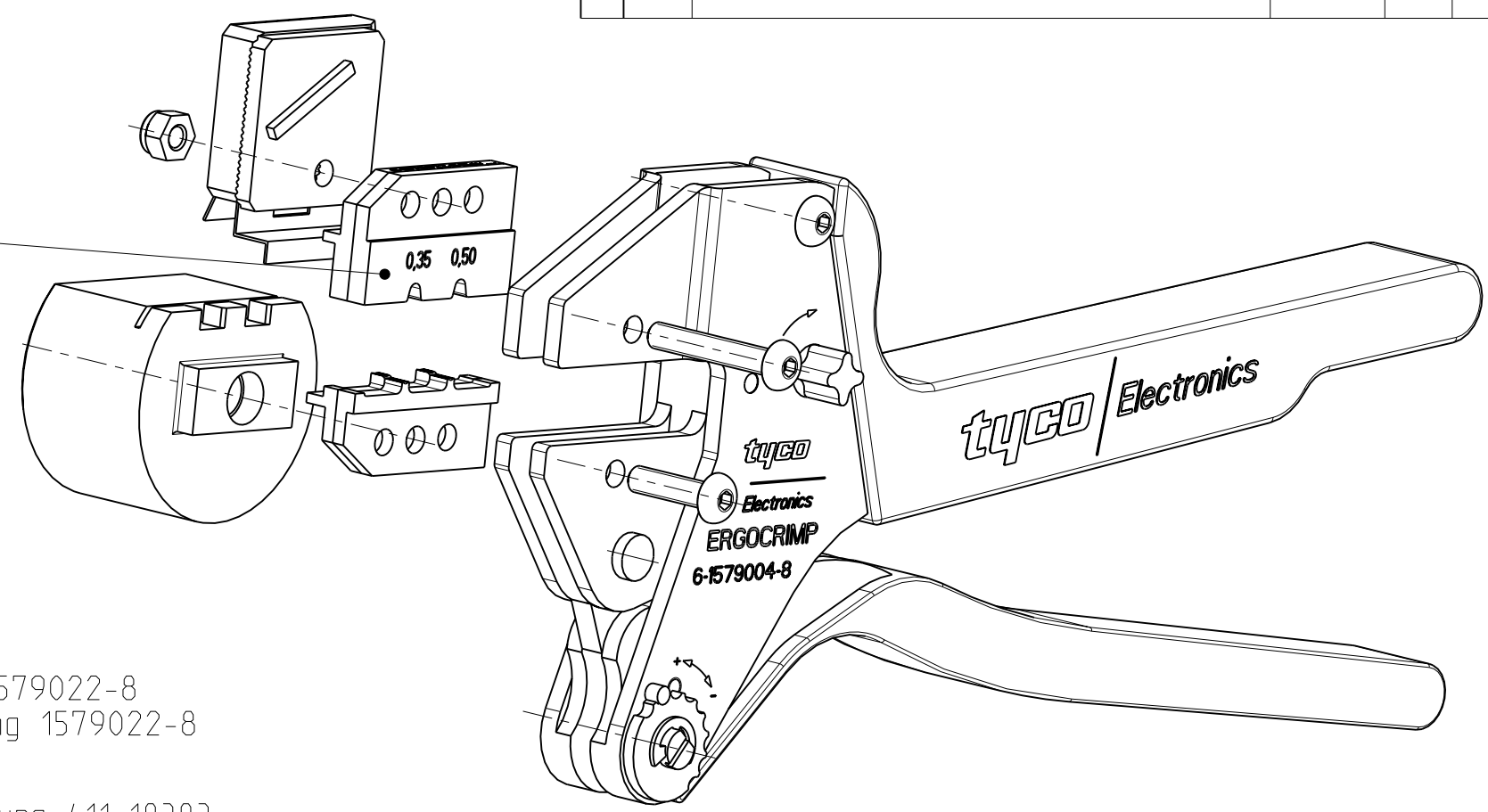


THIS DRAWING IS UNPUBLISHED. RELEASED FOR PUBLICATION 2007
 © COPYRIGHT 2007 BY TYCO ELECTRONICS CORPORATION. ALL RIGHTS RESERVED.

LOC	DIST	REVISIONS			
P	LTR	DESCRIPTION	DATE	DWN	APVD
A1	-	A1	ECR-07-029259	11DEC2007	KL. -

ERGOCRIMP HAND TOOL FOR LOCKING TAB SOCKET 3.3 0,35-0,50 mm²

Ergocrimp Matrize als Ersatzteil erhaeltlich
 Tyco Electronics Nr.: 1579022-8
 Ergocrimp die set as spare part available
 Tyco Electronics No. 1579021-8



Einzelteile der Ergocrimp Matrize bestellbar. Siehe Zeichnung 1579022-8
 Spare parts of the Ergocrimp die set are available. See drawing 1579022-8

Handzange mit Matrize zusammengebaut und mit Bedienungsanleitung 411-18383
 im Karton verpackt
 Hand tool assembled with die set and packed with instruction sheet 411-18383
 in a cardboard

Kontakt	DGB (mm ²)	Drahtcrimp / Wire Crimp		Isolationscrimp/Insulationcrimp		Isol.Ø	Betriebsanl.
Contact	Wire Range	Hoehe/Height (mm)	Breite/Width (mm)	Hoehe/Height (mm)	Breite/Width (mm)	Ins.Range	Instr.Sheet
963759	0.35	1.05±0.03	1.57 F	1.75 ±0.10	2.29 0	1.20-1.40	411-18383
	0.50	1.12±0.03		1.85 ±0.10		1.40-1.60	
	-----	-----		-----		-----	

<small>THIS DRAWING IS A CONTROLLED DOCUMENT FOR TYCO ELECTRONICS CORPORATION IT IS SUBJECT TO CHANGE AND THE CONTROLLING ENGINEERING ORGANIZATION SHOULD BE CONTACTED FOR THE LATEST REVISION.</small>		DWN R.KLAW ONN 15MAR2007 CHK C.WITT 15MAR2007		tyco Electronics AMP GmbH 64625 Bensheim (Germany)	
DIMENSIONS: mm 		TOLERANCES UNLESS OTHERWISE SPECIFIED: 0 PLC ±- 1 PLC ±- 2 PLC ±- 3 PLC ±- 4 PLC ±- ANGLES ±1°		NAME ERGOCRIMP HAND TOOL FOR LOCKING TAB SOCKET 0,35-0,50 mm ²	
MATERIAL - FINISH -		PRODUCT SPEC - APPLICATION SPEC - WEIGHT -		SIZE A3 CAGE CODE 00779 DRAWING NO ©-6-1579004-8 RESTRICTED TO -	
CUSTOMER DRAWING				SCALE 1:1 SHEET 1 OF 1 REV A1	