

4

3

2

1

THIS DRAWING IS UNPUBLISHED.

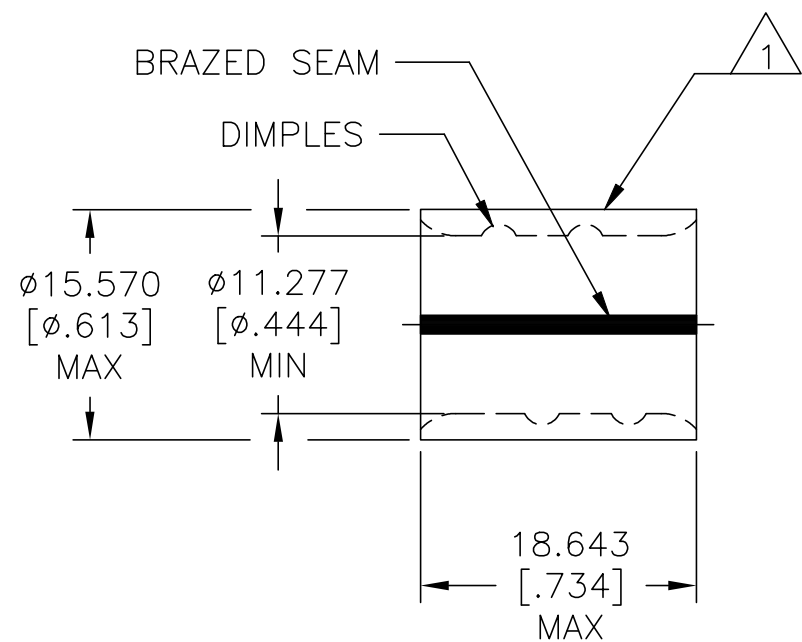
RELEASED FOR PUBLICATION

REVISIONS

© COPYRIGHT - By - ALL RIGHTS RESERVED.

P	LTR	DESCRIPTION	DATE	DWN	APVD
	H2	REVISED PER ECO-20-001609	04MAR2020	SM	DR

AMP WIRE RANGE	 Listed FILE E13288	 LR7189 Certified
1/0 AWG SOLID OR STRANDED	1/0 AWG SOLID OR STRANDED	1/0 AWG SOLID OR STRANDED



- 1 STAMP AMP 1/0W* 100
LOCATE APPROX AS SHOWN.
- 2 MATERIAL THK.: 1.780±0.076[.070±.003].
- 3 TIN PL 0.00254 [.000100] MIN. EXT. THK. PER ASTM B545.
- 4 NOTE DELETED.
- 5 NOTE DELETED.
- 6 STAMP FOR MANUFACTURING LOCATION OR CODE PERMISSIBLE.
- 7 COPPER PER ASTM B-152, ANNEALED.
- 8 NOTE DELETED.
- 9 0.00254 [.000100] MIN. EXT. THK. TIN/LEAD (60/40) PLATE
PER SAE-AMS-P-81728.
- 10 NOT UL OR CSA APPROVED.
- 11 NICKEL PLATE 0.00762[.000300] MIN. EXT. THK. PER
SAE AMS QQ-N-290.

343°C[650°F]	11	50	LOOSE PIECE	10 36946-3
170°C[338°F]	9	100	LOOSE PIECE	10 36946-2
170°C[338°F]	3	50	LOOSE PIECE	36946
MAX. OPERATING TEMPERATURE	FINISH	QTY.	PACKAGE TYPE	PART NO.

AMP INCORPORATED
CUSTOMER SERVICE SYSTEMS

MAX RECOMMENDED OPERATING TEMPERATURE:
SEE TABLE

THIS DRAWING IS A CONTROLLED DOCUMENT.

DWN	DK SCHRUM	5/21/93
CHK	RD HEIM	5/21/93
APVD	CR RHOADS	5/21/93
PRODUCT SPEC		
APPLICATION SPEC		
WEIGHT		



VOLTAGE RATING:
N/A

DIMENSIONS:	TOLERANCES UNLESS OTHERWISE SPECIFIED:
mm [INCHES]	
	0 PLC ± -
	1 PLC ± -
	2 PLC ±
	3 PLC ± 0.127[.005]
	4 PLC ± -
	ANGLES ± -

NAME
SPLICE, PARALLEL, SOLISTRAND
1/0 AWG

CIRCULAR MIL AREA:
42.4-60.6mm² [83,700-119,500]
SOLID OR STRANDED

MATERIAL
7
FINISH
SEE TABLE

SIZE	CAGE CODE	DRAWING NO	RESTRICTED TO
A3	00779	C=36946	-

FOR ADDITIONAL PRODUCT INFORMATION OR COPIES OF DRAWINGS AND TECHNICAL DOCUMENTS

PRODUCT INFORMATION CENTER
1-800-522-6752

FOR APPLICATION TOOLING INFORMATION

TOOLING ASSISTANCE CENTER
1-800-722-1111

FOR ORDER ENTRY

1-800-526-5142

THIS DRAWING IS A CONTROLLED DOCUMENT FOR AMP INCORPORATED. IT IS SUBJECT TO CHANGE AND THE CONTROLLING ENGINEERING ORGANIZATION SHOULD BE CONTACTED FOR THE LATEST REVISION.

CUSTOMER DRAWING SCALE 2:1 SHEET 1 OF 1 REV H2