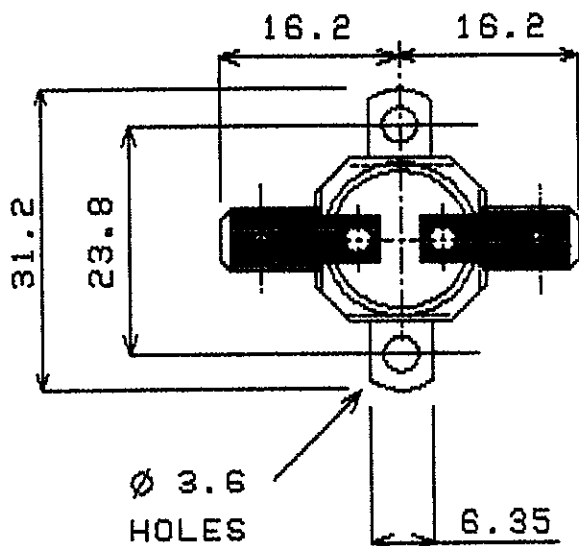


DO NOT SCALE ALL DIMENSIONS ARE FOR REFERENCE ONLY

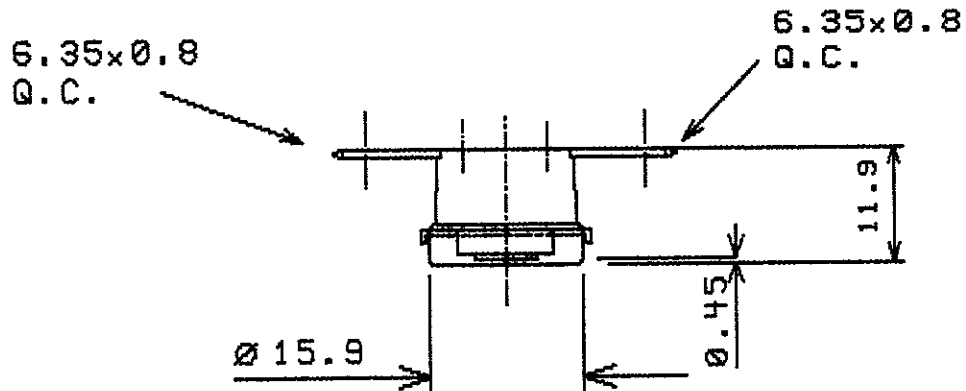
OPERATING CRITERIA



VOLTS: 240 AMPS: 10 HZ:

OPERATING TEMPS. DEG. C

OPEN: 45 ± 3
CLOSE: 60 ± 5



NOTE! ORIENTATION OF BRACKET IS NOT FIXED

ISSUE	A	B								
MOD No	2052	2250								
MTH/YR	3/97	7/98								

CODING REQUIREMENTS

COLOUR: LASER CODE
F60C RP 9100 443 XXX

(XXX = DATE CODING)

CAP: B200 MAT'L: ALUMINIUM
BRK'T: B2036 MAT'L: STEEL
..... PLATING: NICKEL

TERMINAL: T146 T146
MATERIAL: BRASS BRASS
PLATING:

ELMWOOD DEVICE & UNIQUE PART No.
2455RP-9100-443

ELMWOOD DRG No.
965211

ISSUE
B



ELMWOOD
SENSORS LTD

DATE OF ISSUE STAMP

7 JUL 1998