

4

3

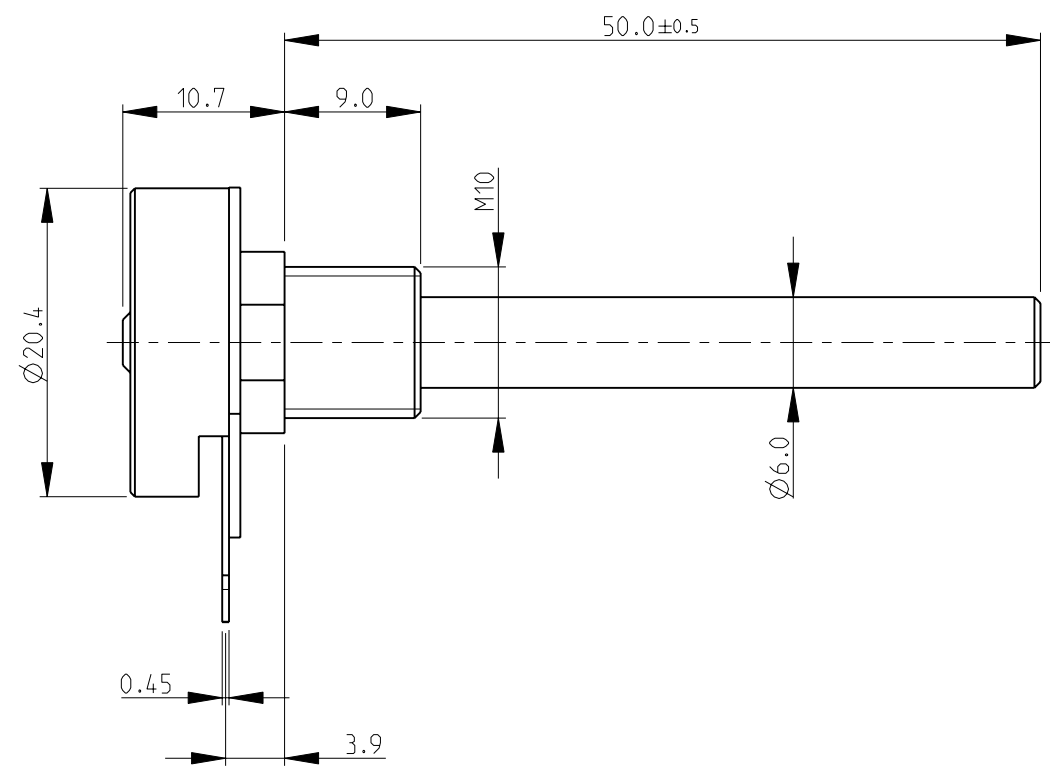
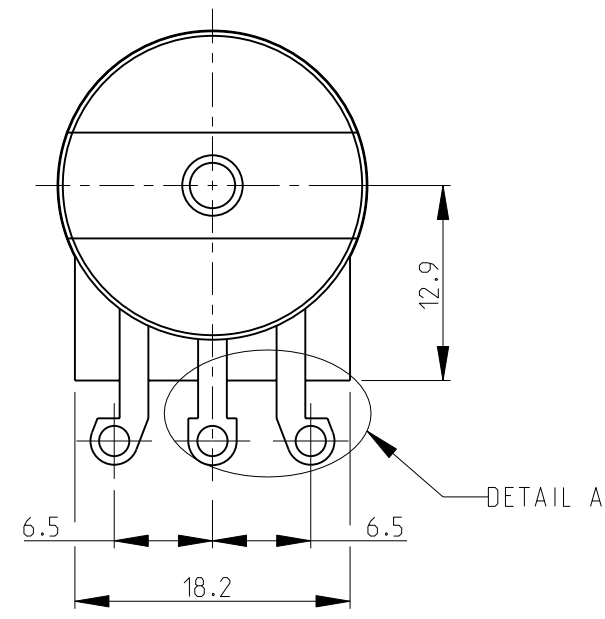
2

1

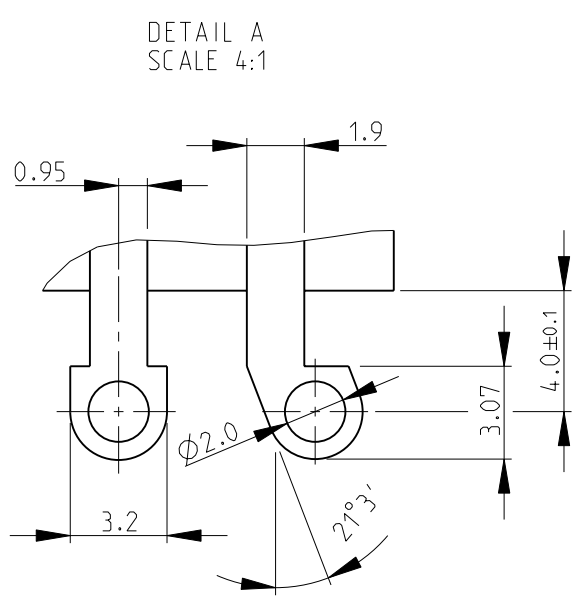
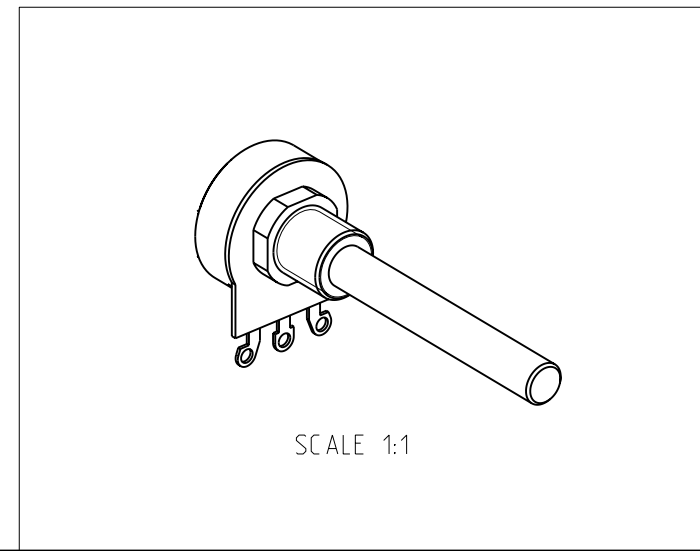
THIS DRAWING IS UNPUBLISHED. RELEASED FOR PUBLICATION 2008  
 © COPYRIGHT 2008 BY TYCO ELECTRONICS CORPORATION. ALL RIGHTS RESERVED.

LOC		DIST		REVISIONS			
P	LTR	DESCRIPTION		DATE	DWN	APVD	
	BA	NEW RELEASE		19-NOV-08	SM	St.P	

FOR FURTHER INFORMATION SEE DATA SHEET FOR  
 23 SERIES-SPINDLE OPERATED POTENTIOMETER



RoHS Compliant



<small>THIS DRAWING IS A CONTROLLED DOCUMENT FOR TYCO ELECTRONICS CORPORATION          IT IS SUBJECT TO CHANGE AND THE CONTROLLING ENGINEERING ORGANIZATION          SHOULD BE CONTACTED FOR THE LATEST REVISION.</small>		DWN	SUBHASH.M	19-NOV-08	Tyco Electronics Corporation Dorcan, Swindon, SN3 5HH							
DIMENSIONS: mm		CHK	PRAKASH.S	19-NOV-08	NAME							
		APVD	STEPHEN.P	19-NOV-08	SPINDLE OPERATED POTENTIOMETER SERIES 23E							
TOLERANCES UNLESS OTHERWISE SPECIFIED: 0 PLC ±0.2 1 PLC ±0.1 2 PLC ± 3 PLC ± 4 PLC ± ANGLES ±5°		PRODUCT SPEC	-		SIZE	CAGE CODE	DRAWING NO	RESTRICTED TO				
MATERIAL -		FINISH	-		A3	00779	1623756	-				
CUSTOMER DRAWING				WEIGHT	-		SCALE	2:1	SHEET	1 OF 1	REV	BA